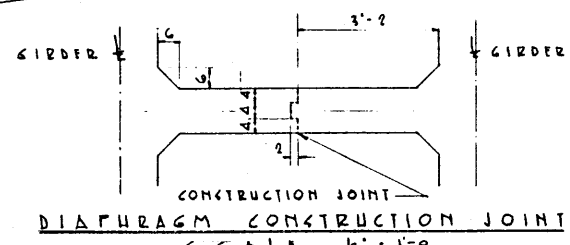


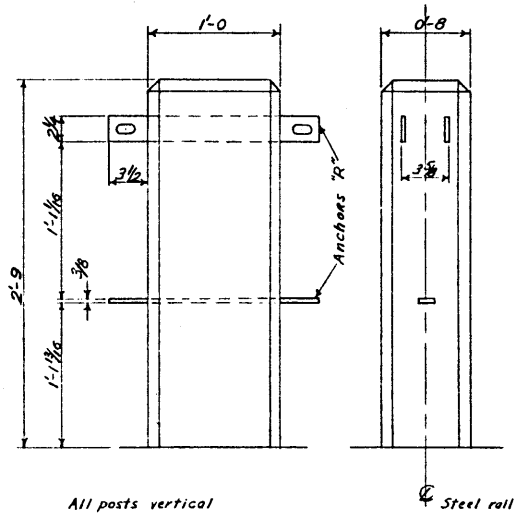
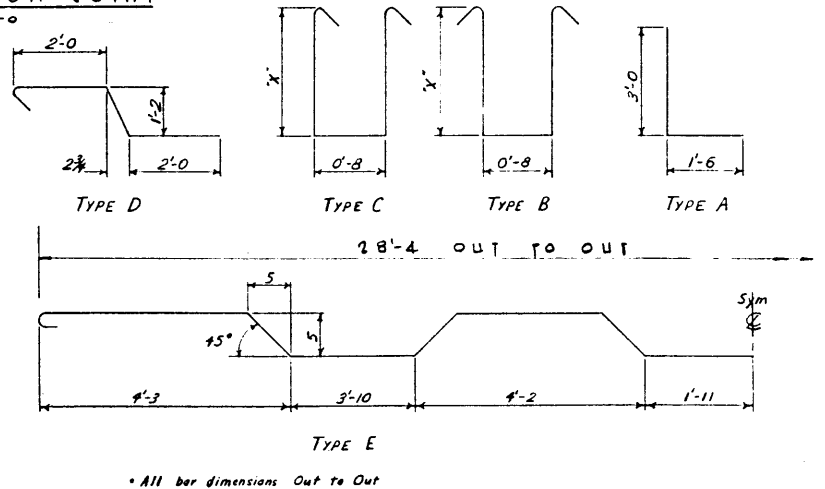
BAR LIST

MARK	SIZE	No.	TYPE	X	LENGTH	WEIGHT
P11	5	128	A		4'-6	601
D11	5	328	Str.		29'-0	9921
D12	5	165	E		30'-6	5249
D13	4	76	Str.		31'-0	1574
D14	4	114	Str.		25'-0	1904
C1	4	30	Str.		40'-0	802
C2	5	326	D		5'-7 1/2	1912
DM1	4	48	Str.		25'-4	812
DM2	4	42	B	5'-9	12'-11	362
DM3	4	42	C	1'-10	5'-1	143
DM4	4	63	B	2'-5	6'-3	263
D15	4	38	Str.		44'-9	1136
TOTAL						24,679

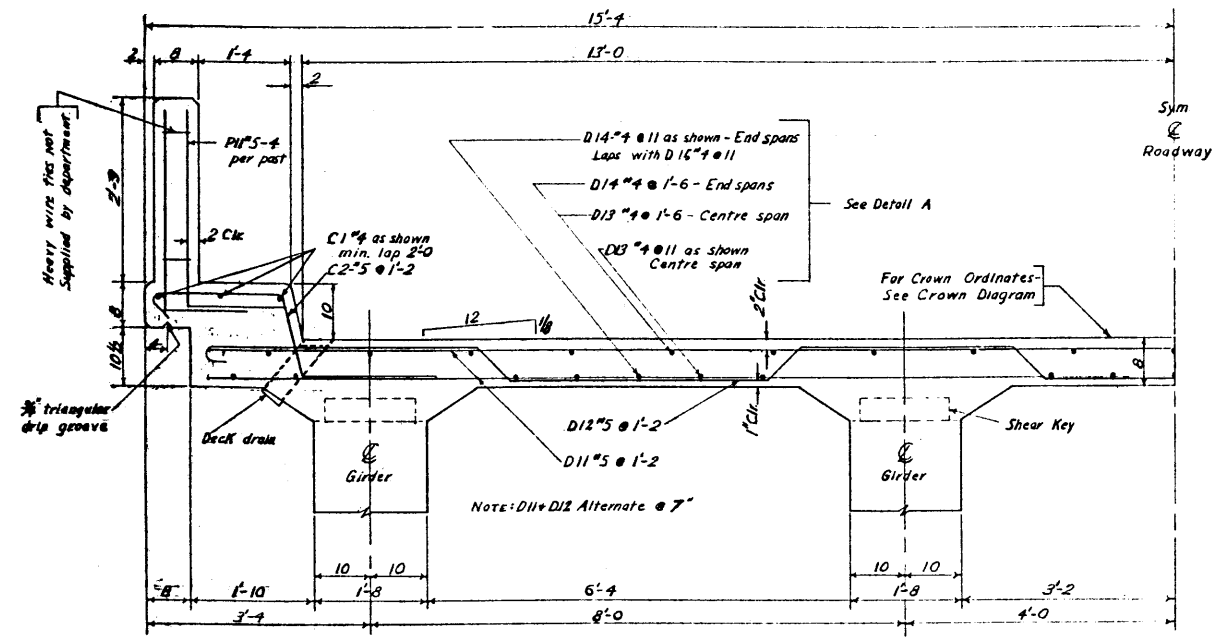
HANDRAIL DETAILS
Scale - 1/4" = 1'-0"



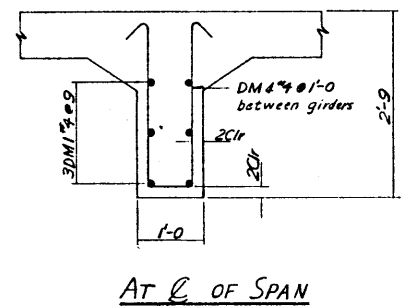
BAR TYPES



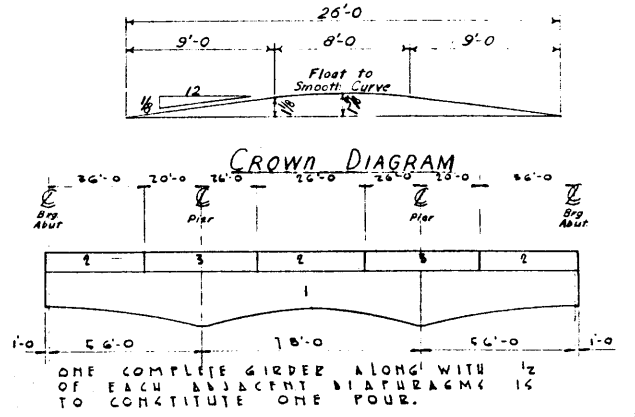
POST DETAILS
Scale - 1/2" = 1'-0"



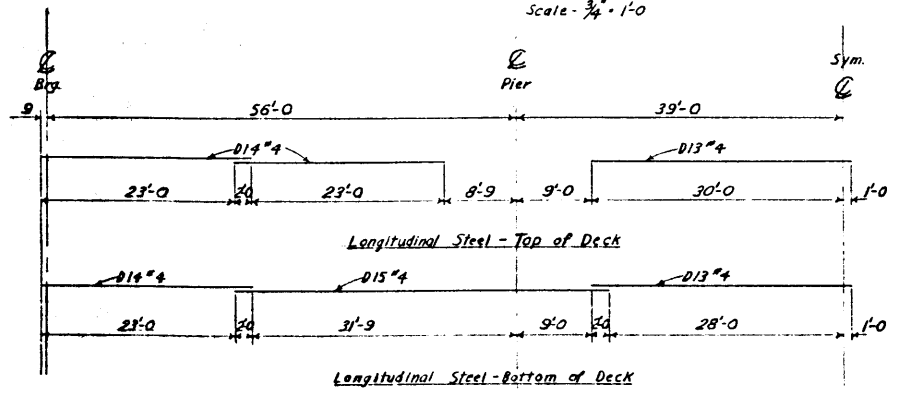
DECK DETAILS
Scale - 3/4" = 1'-0"



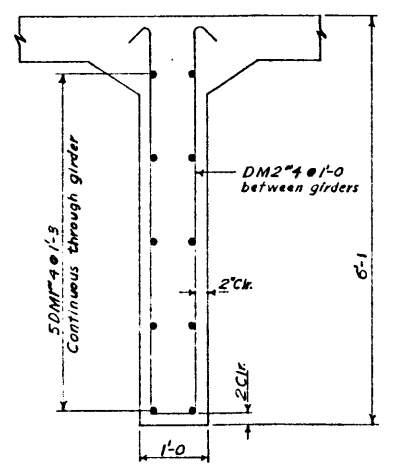
AT C OF SPAN



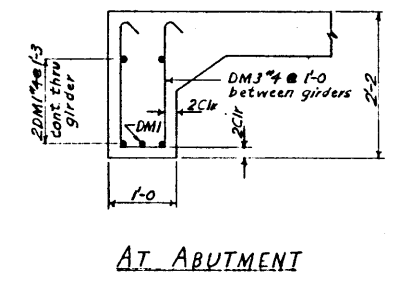
POUR DIAGRAM



DETAIL A



AT PIER



AT ABUTMENT

TYPICAL DIAPHRAGM SECTIONS
Scale - 3/4" = 1'-0"

NOTE:
 • Class 2 finish on both faces of curbs, all faces of posts, outside edge of slab & outside face of outside girder.
 • Strike girder falsework before pouring curbs

QUANTITY ESTIMATE

ITEM	QUANTITY	UNIT
Concrete - Class B	376	Cu Yds
Reinforcing Steel	76,802	Lbs
Steel Handrail	34	Panels

NO.	DATE	DESCRIPTION	BY

**STANDARD 56-78-56
CONCRETE GIRDER
26' ROADWAY
CLAB DETAILS**

**GOVERNMENT OF THE PROVINCE OF ALBERTA
DEPARTMENT OF HIGHWAYS
BRIDGE BRANCH, EDMONTON**

FILE NO. _____ HWY. NO. _____ DWG. NO. **5631**
 LOCATION _____ SCALE _____
 STREAM _____ SHEET _____ OF _____

DESIGNED BY: M.D.C.
 CHECKED BY: _____
 DATE: MAY 6
 DATE: _____