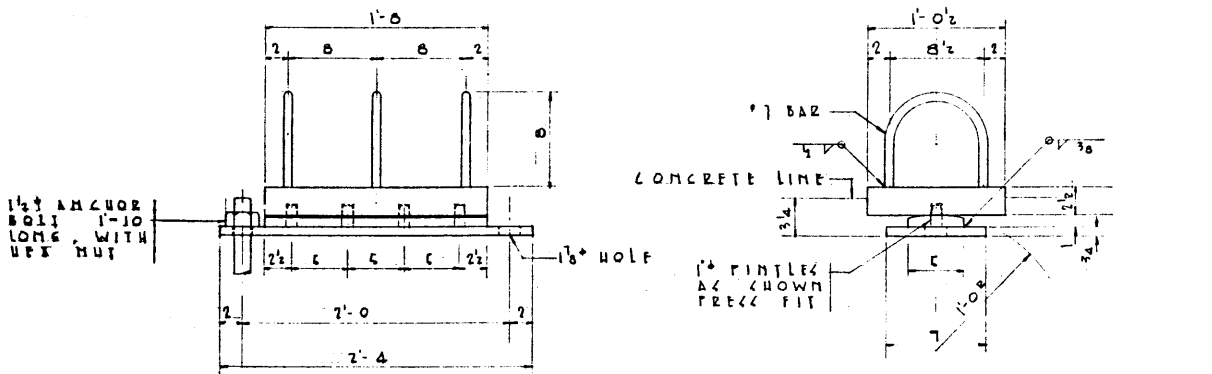
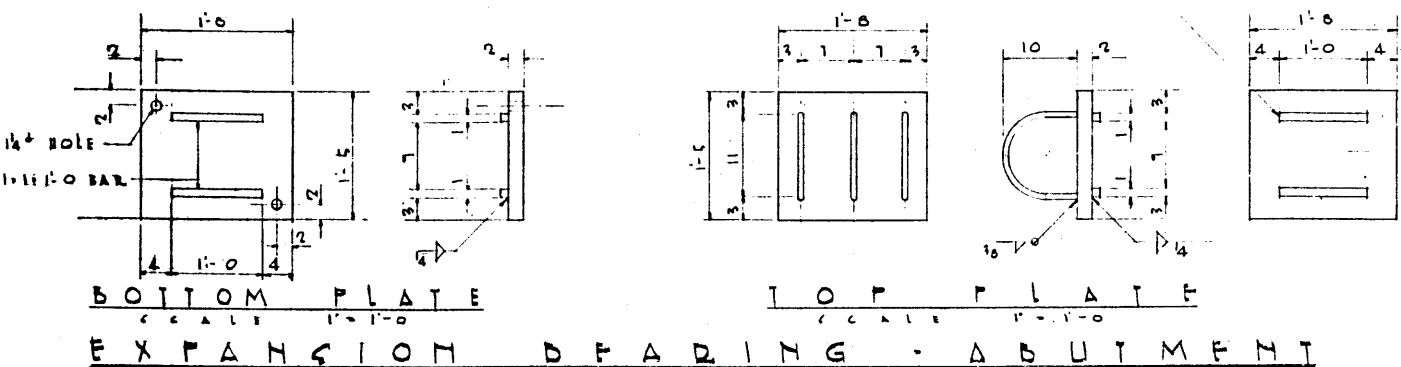
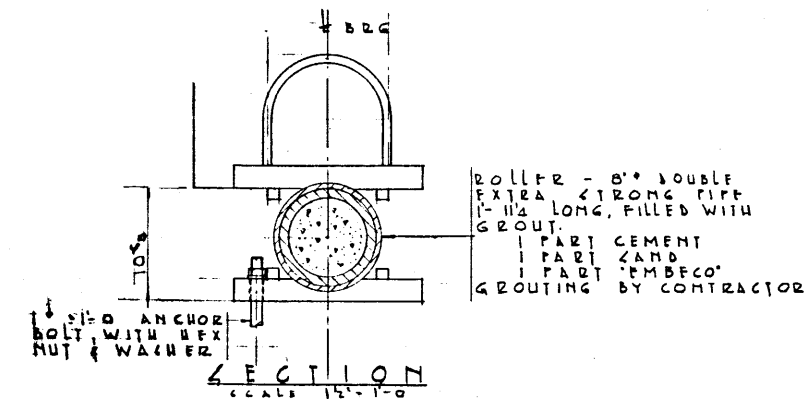


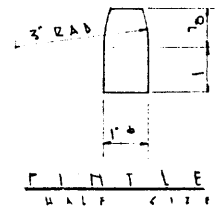
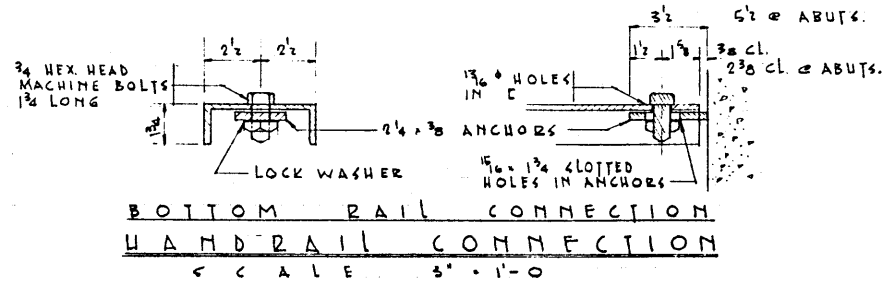
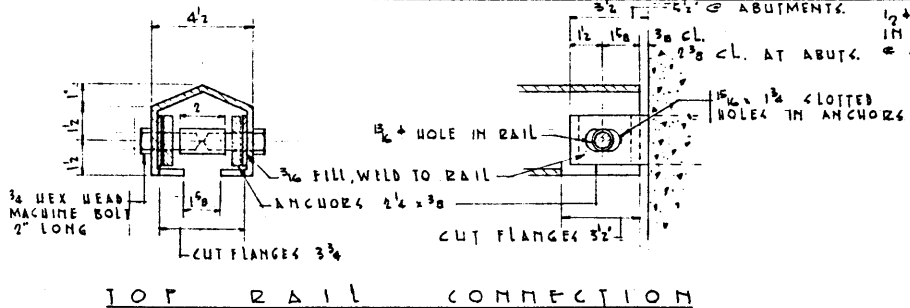
EXPANSION BEARINGS - PIER
SCALE 1/2" = 1'-0" 4 RECD'S AT CROWN



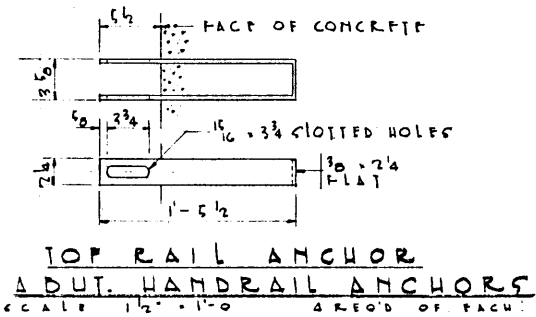
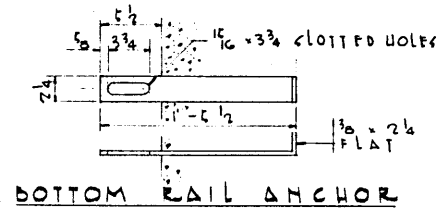
FIXED BEARING - PIER
SCALE 1/2" = 1'-0" 4 RECD'S AT CROWN



EXPANSION BEARING - ABUTMENT



DECK DRAINS
SCALE 1" = 1'-0" 4 RECD'S

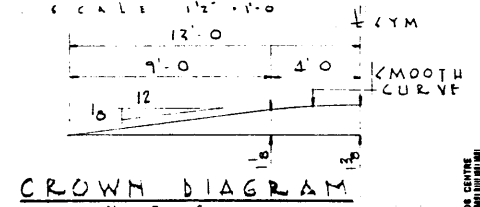
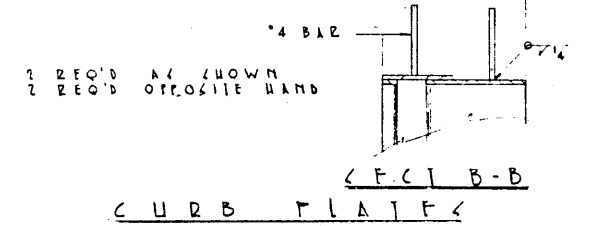
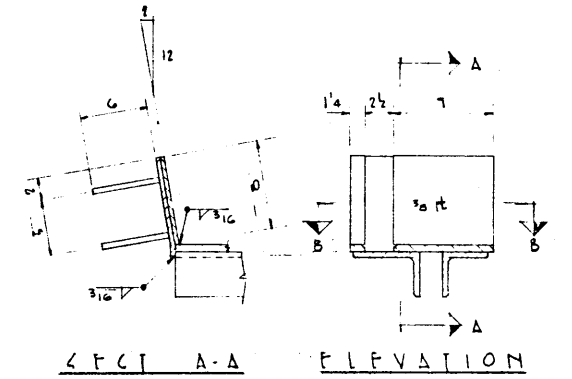


QUANTITY ESTIMATE

ITEM	QUANT.	UNIT
MISCELLANEOUS IRON	11,232	L.B.

NO.	DATE	DESCRIPTION	BY

EXPANSION PLATES
SCALE 3/4" = 1'-0" 2 RECD'S 26'-0" LONG



ALL BEARINGS TO BE SUPPLIED WITH 1/4" THICK SHEET LEAD OF 1' LARGER IN DIMENSION EACH WAY THAN THE BED RATE.
SHOP PAINT - 1 COAT RED LEAD TO ALL SURFACES NOT IN CONTACT WITH CONCRETE
FIELD PAINT - 2 COATS ALUMINUM

STANDARD 56-78-56 CONCRETE GIRDER 2 G. ROADWAY MISCELLANEOUS DETAILS

GOVERNMENT OF THE PROVINCE OF ALBERTA
DEPARTMENT OF HIGHWAYS
BRIDGE BRANCH, EDMONTON

FILE NO. _____ HWY. NO. _____ DWG. NO. 5622
LOCATION _____ SCALE _____ SHEET _____ OF _____
STREAM _____

DESIGNED BY H.A.V. DATE _____
CHECKED BY A.E.P. DATE APR 27 1951

