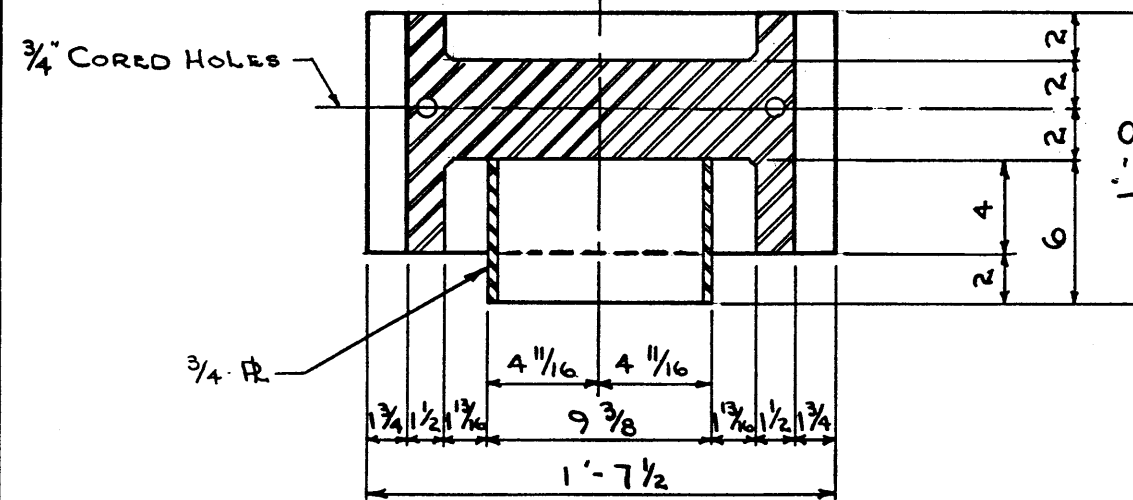


BOTTOM VIEW



SECTION A-A

ADAPTION OF FOLLOWER FOR PIPE PILES

SCALE ~  $1\frac{1}{2}" = 1'-0$  JULY 24, 1957

DRWG. N°S637.

