

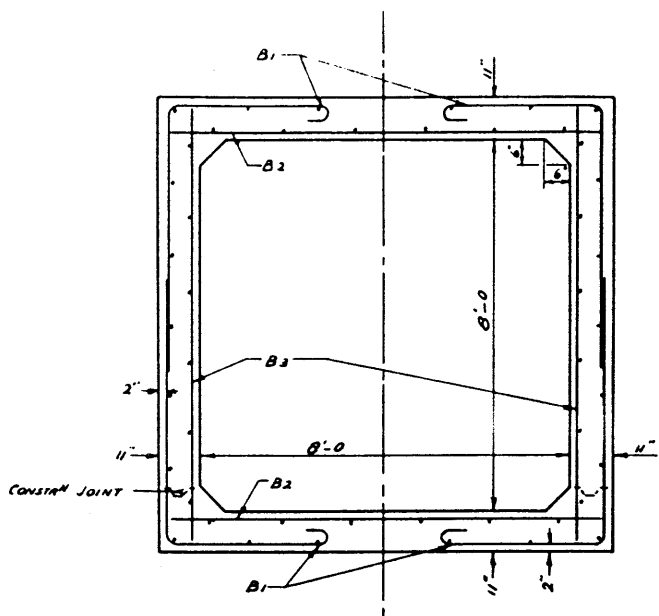
WINGWALL BAR LIST

MARK	SIZE	TYPE	NO.	X	SPACING	LENGTH	WEIGHT
W1	5	B	2	0'-3"	1'-0"	26'-0"	50
W2	5	B	4	7'-7"	1'-0"	24'-0"	103
W3			4	7'-0"		23'-6"	90
W4			4	6'-3"		22'-0"	82
W5			4	6'-6"		20'-6"	86
W6			4	5'-0"		19'-6"	81
W7			4	4'-3"		18'-0"	75
W8			4	3'-9"		17'-0"	71
W9			4	3'-0"		15'-6"	65
W10	5	B	4	2'-3"	1'-0"	16'-0"	58
W11	5	B	2	1'-7"	1'-0"	12'-0"	26
W12	4	STR	4		1'-6"	2'-0"	5
W13	4	STR	4		1'-6"	6'-0"	16
W14	4	STR	4		1'-6"	10'-0"	27
W15	4	STR	4		1'-6"	16'-0"	43
W16	4	STR	4		1'-6"	18'-0"	51
W17	4	STR	4		1'-6"	18'-0"	51
W18	5	C	20		1'-0"	3'-0"	62
W19	5	STR	40		1'-0" (STRIP) 1'-6" (STAIR)	2'-0"	84
W20	4	STR	4		1'-6"	1'-6"	4
W21	4	STR	4		1'-6"	4'-6"	12
W22			4			10'-6"	20
W23			4			13'-6"	26
W24			4			18'-0"	36
W25			0			7'-6"	10
W26			0			6'-6"	8
W27			0			5'-6"	7
W28			0			4'-6"	6
W29			0			3'-6"	5
W30	4	STR	8		1'-6"	2'-6"	13
W31	4	STR	8		1'-6"	1'-6"	8
CR1	0	D	4	6'-6"	1'-0"	12'-6"	132
CR2	0	D	4	4'-6"	1'-0"	7'-6"	80

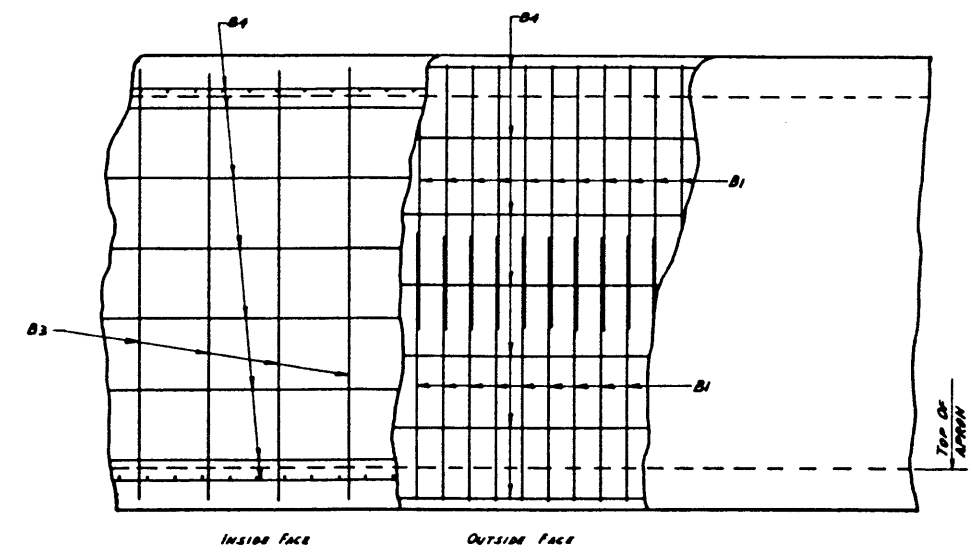
TOTAL 1484

BARREL BAR LIST

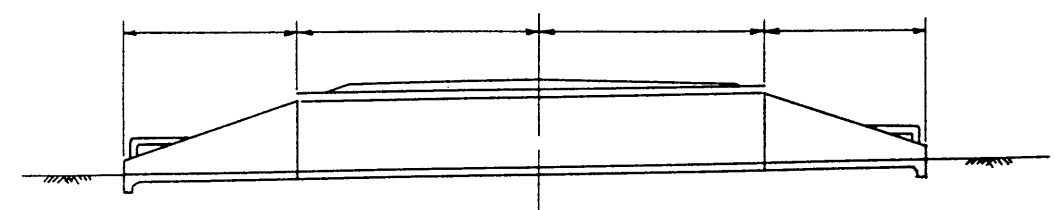
MARK	NO REQ'D	SIZE	TYPE	DIM X	DIM Y	SPACING	LENGTH	WEIGHT
B1		5	A			6"	8'-9"	
B2		6	STR			7	8'-6"	
B3		4	STR			1'-6"	8'-6"	
B4		4	STR			1'-6"	8'-6"	



TYPICAL SECTION

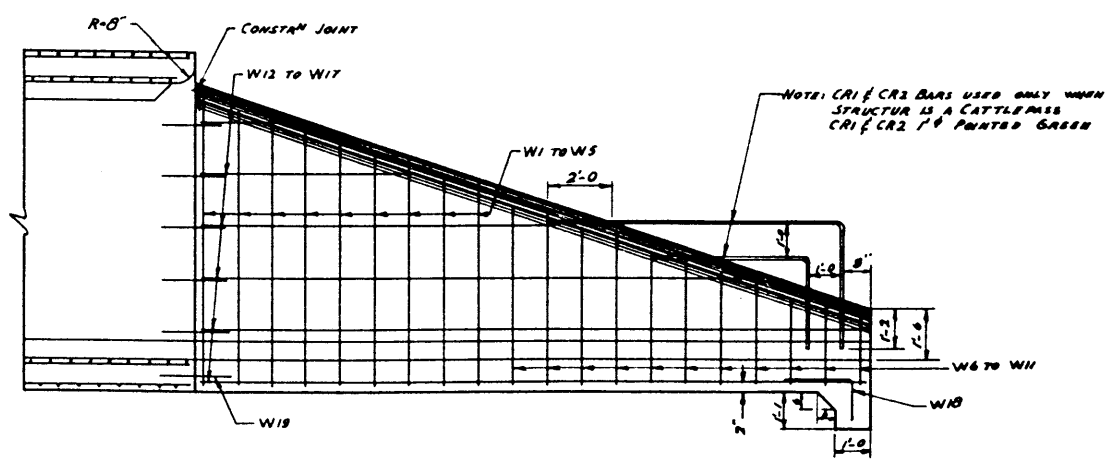
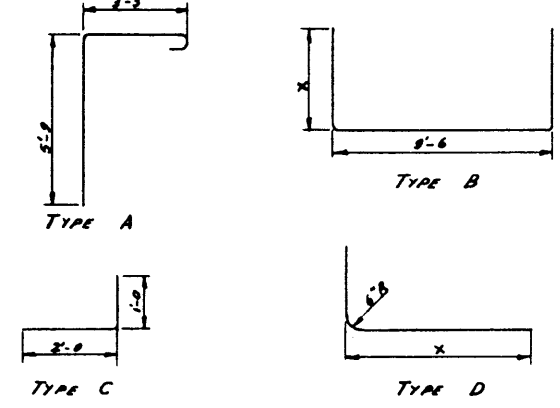


ELEVATION
SCALE 3/4" = 1'-0"

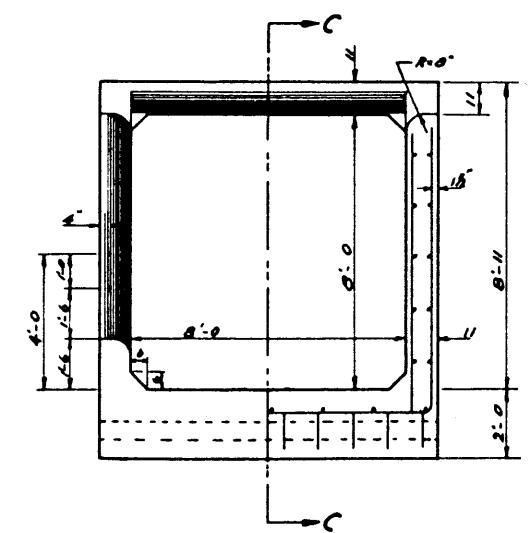


SECTION ALONG C CATTLEPASS

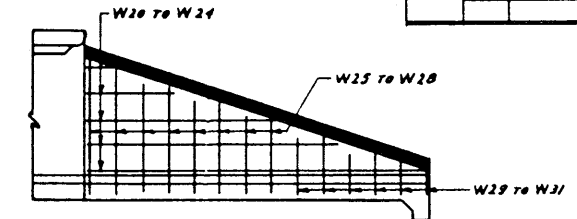
BAR TYPES
(ALL BAR DIMENSIONS OUT TO OUT)



SECTION C-C
BACK FACE STEEL SCALE 3/4" = 1'-0"



WINGWALL DETAILS
SCALE 3/4" = 1'-0"



SECTION C-C
FRONT FACE STEEL SCALE 3/4" = 1'-0"

NO.	DATE	DESCRIPTION	BY

STANDARD 8' x 8' CATTLEPASS

GOVERNMENT OF THE PROVINCE OF ALBERTA
DEPARTMENT OF HIGHWAYS
BRIDGE BRANCH, EDMONTON

FILE NO. _____ HWY. NO. _____ DWG. NO. 5639
LOCATION _____ SCALE _____ SHEET _____ OF _____