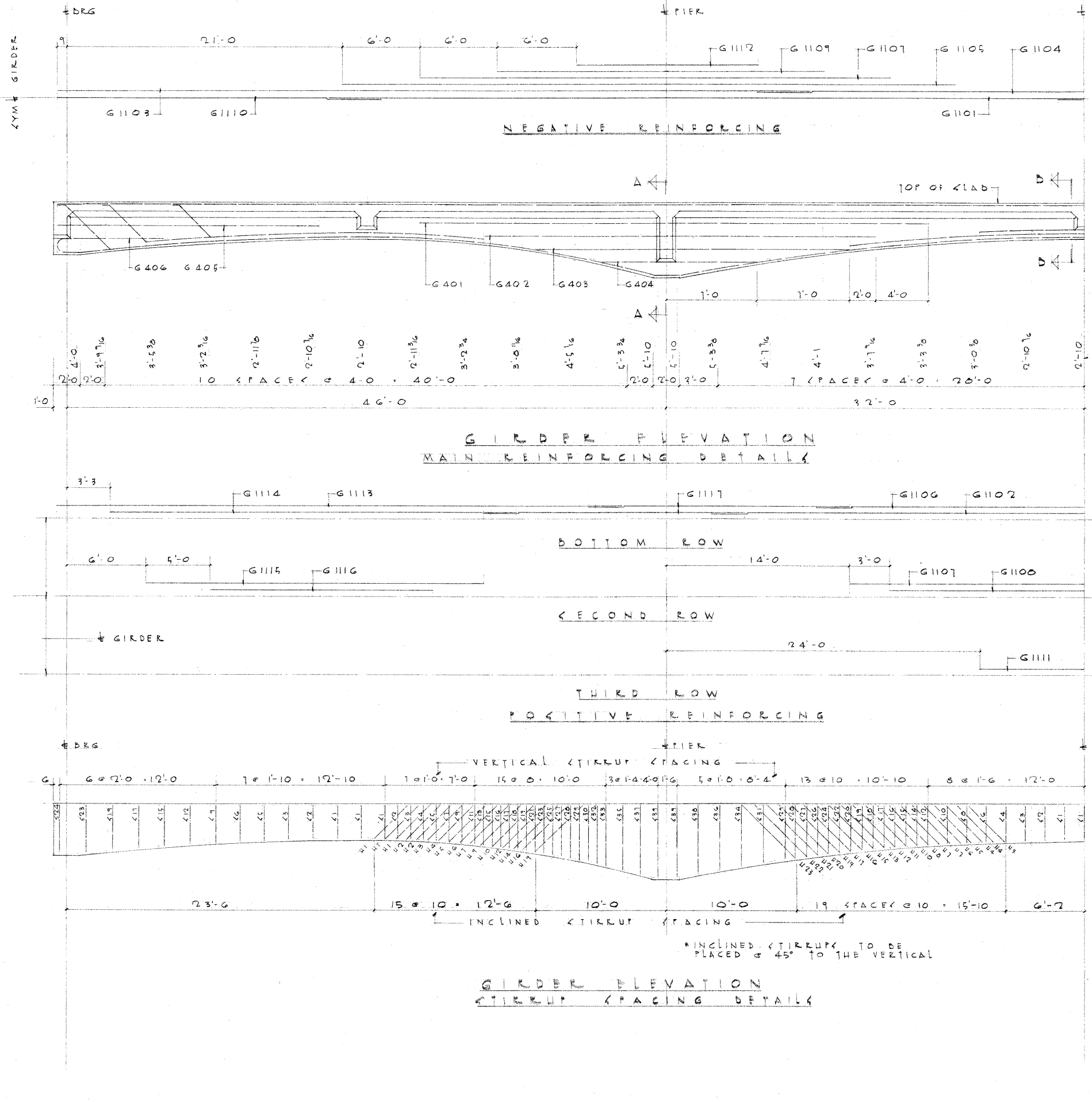
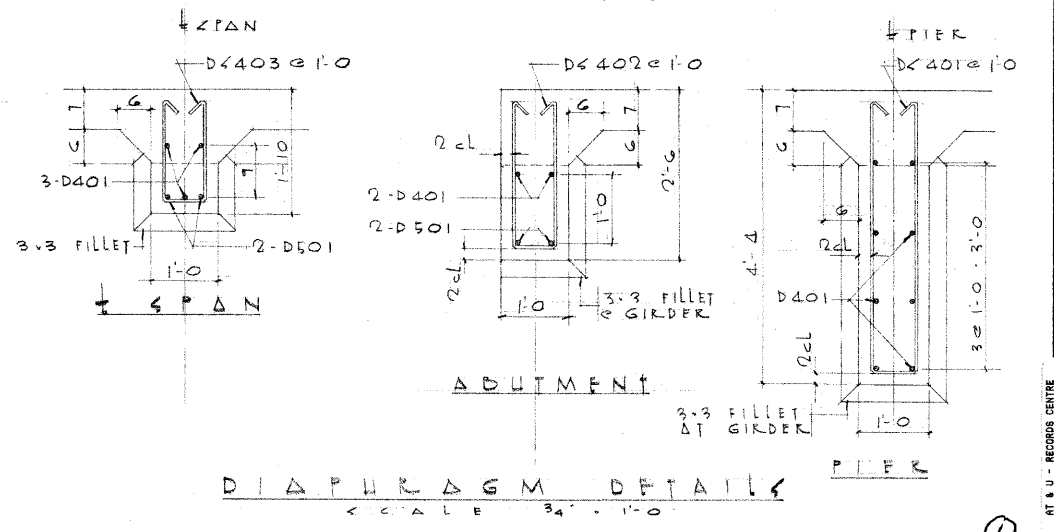
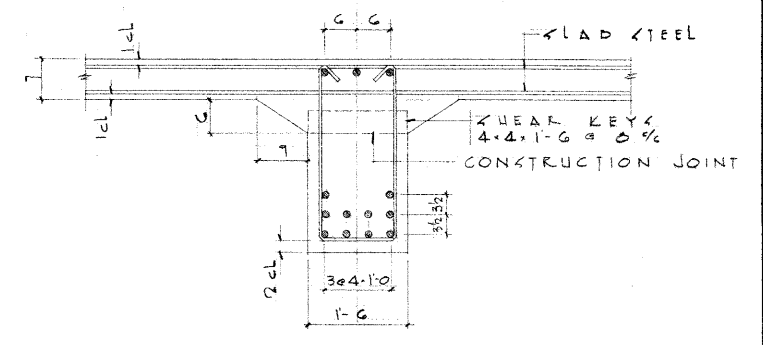
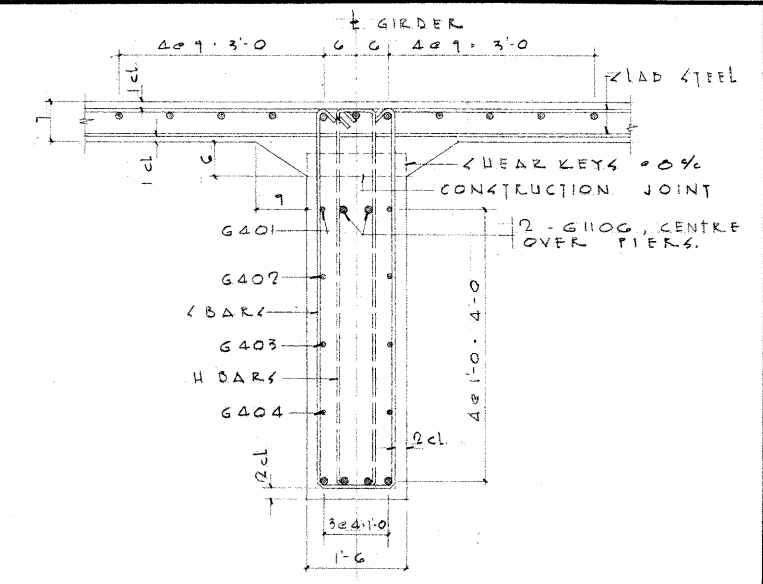


DESIGNED BY: H.A.R. def
 DATE: AUG 17 1957
 CHECKED BY: H.A.R. def
 DATE: _____



GIRDER DEPTH MEASURED FROM TOP OF SLAB



STANDARD 46-64-46
CONCRETE GIRDER
GIRDER DETAILS

GOVERNMENT OF THE PROVINCE OF ALBERTA
 DEPARTMENT OF HIGHWAYS
 BRIDGE BRANCH, EDMONTON

FILE NO. _____ HWY. NO. _____ DWG. NO. 6640
 LOCATION _____ SCALE 1/4" = 1'-0" SHEET _____ OF _____
 STREAM _____

NO.	DATE	DESCRIPTION	BY
4			
3			
2			
1			

REVISIONS

AT & U - RECORDS CENTRE
 F10578