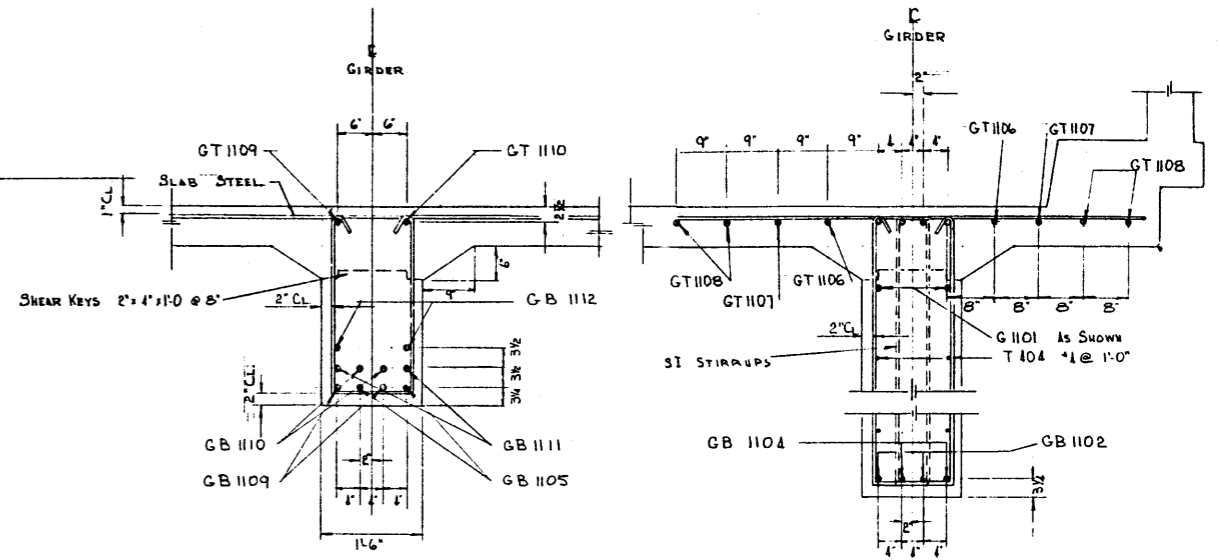
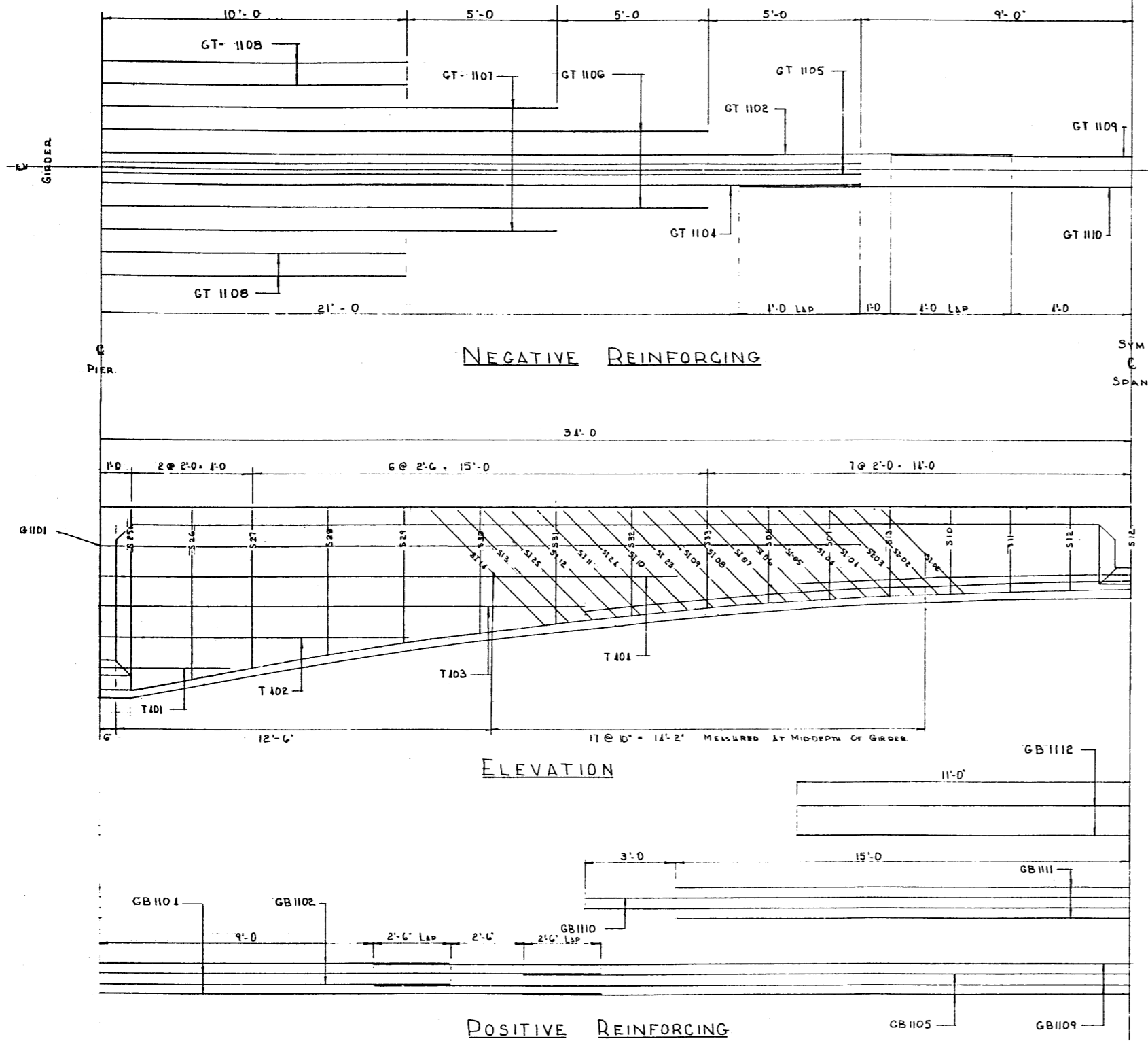
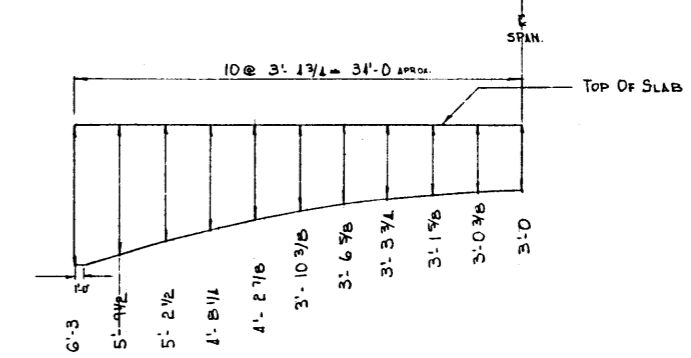


DESIGNED BY: R. E. B.  
 DATE: AUG 13 1957  
 DETAILED BY: R. E. B.  
 CHECKED BY:

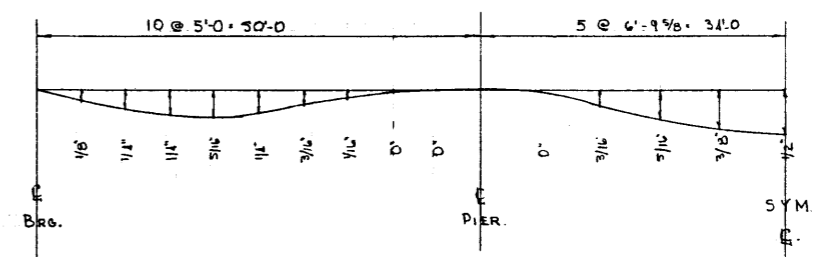


SECTION C MID SPAN  
SCALE 3/4" = 1'-0"

OUTSIDE GIRDER SECTION  
AT PIER. SCALE 3/4" = 1'-0"



GIRDER ORDINATES



DEAD LOAD DEFLECTION CURVE

QUANTITY ESTIMATE

ITEM	QUANTITY	UNIT	4		
CONCRETE CLASS B	55	Cu. Yds.	8		
REINFORCING STEEL		Lbs.	8		
			1		
			NO.	DATE	DESCRIPTION
					BY
					REVISIONS

**STANDARD 50'-68'-50' SPAN  
MID-SPAN GIRDER DETAILS**

GOVERNMENT OF THE PROVINCE OF ALBERTA  
 DEPARTMENT OF HIGHWAYS  
 BRIDGE BRANCH, EDMONTON

FILE NO. \_\_\_\_\_ HWY. NO. \_\_\_\_\_ DWG. NO. \_\_\_\_\_  
 LOCATION \_\_\_\_\_ SCALE 1/2" = 1'-0" \_\_\_\_\_  
 STREAM \_\_\_\_\_ SHEET \_\_\_\_\_ OF \_\_\_\_\_ 5645

AT A U. RECORDS CENTER  
 1100771