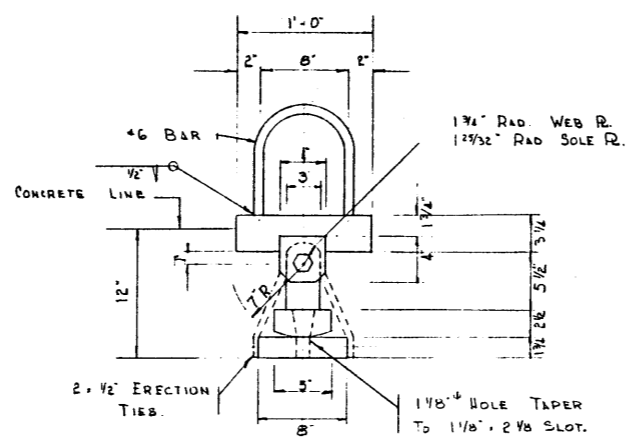
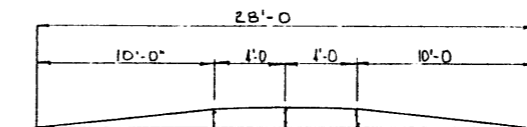
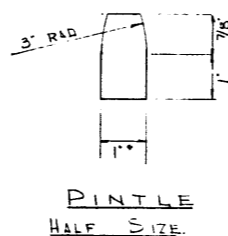
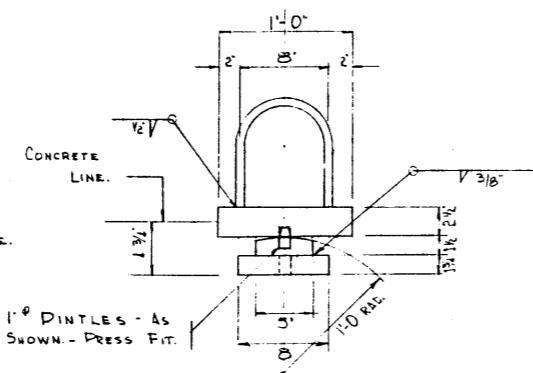
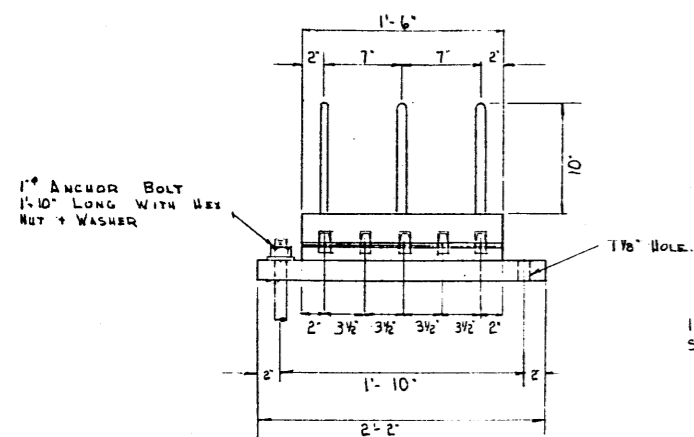


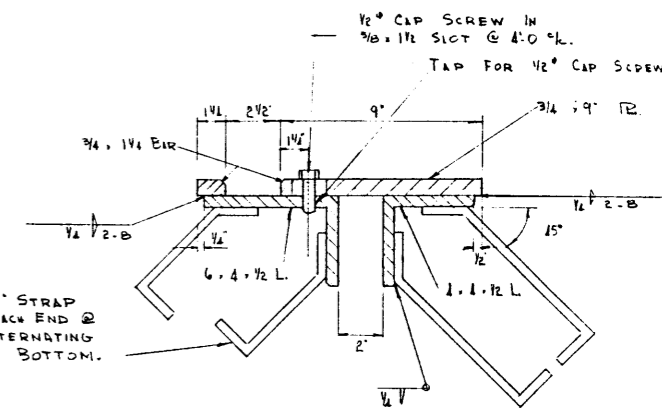
EXPANSION BEARING - PIER
4 REQ. SCALE 1 1/2" = 1'-0"



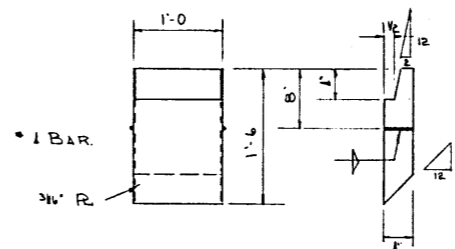
FIXED BEARING - PIER
4 REQ. SCALE 1 1/2" = 1'-0"



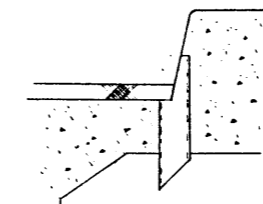
CROWN DIAGRAM



EXPANSION PLATES
2 REQ. 28'-0 3/4" LONG. SCALE 3" = 1'-0"
BEND TO CROWN

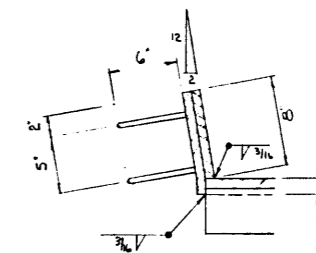


DETAILS

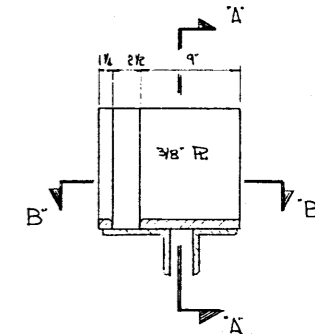


PLACEMENT

DECK DRAIN DETAILS
REQ. SCALE 1" = 1'-0"

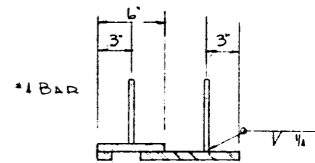


SECTION 'A-A'



ELEVATION

2 REQ. AS DRAWN
2 REQ. OPPOSITE HAND

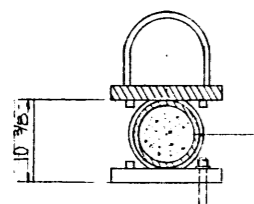


SECTION 'B-B'

CURB PLATES
SCALE 1 1/2" = 1'-0"

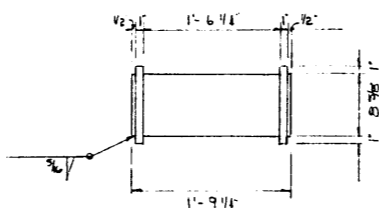
NOTES

- ALL BEARINGS TO BE SUPPLIED WITH 1/8" THICK SHEET LEAD OF 1' LARGER DIMENSION EACH WAY THAN THE BED PLATE.
- SHOP PAINT - ONE COAT OF RED LEAD TO ALL SURFACES NOT IN CONTACT WITH CONCRETE.
- FIELD PAINT - TWO COATS ALUMINUM.

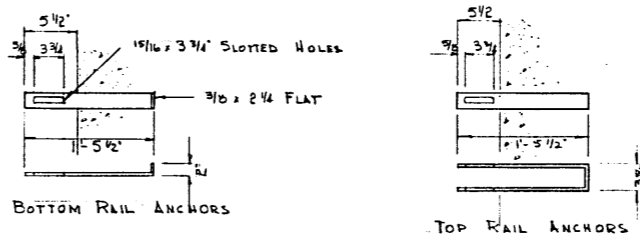


SECTION SCALE 1" = 1'-0"

ROLLER 8" EXTRA STRONG
1-9 1/4" LONG - FILLED WITH GROUT
1 PART CEMENT
1 PART SAND
1 PART EMBECO
GROUTING BY CONTRACTOR



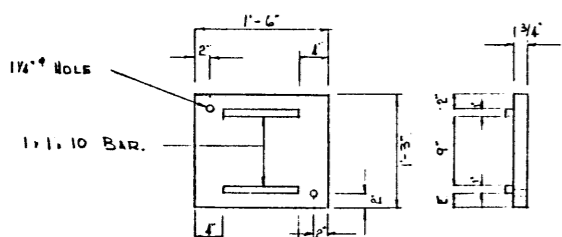
ROLLER
SCALE 1" = 1'-0"



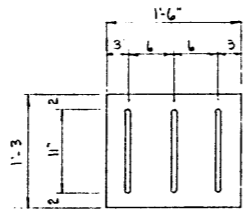
BOTTOM RAIL ANCHORS

TOP RAIL ANCHORS

ABUTMENT HANDRAIL ANCHORS
4 OF EACH REQ. SCALE 1" = 1'-0"



BOTTOM PLATE



TOP PLATE

EXPANSION BEARING - ABUTMENT
SCALE 1" = 1'-0"
8 - REQ.

QUANTITY ESTIMATE

ITEM	QUANTITY	UNIT
MISCELLANEOUS IRON	942.6	LBS.

NO.	DATE	DESCRIPTION	BY

REVISIONS

STANDARD 50'-68.50'
CONCRETE T GIRDER
MISCELLANEOUS DETAILS

GOVERNMENT OF THE PROVINCE OF ALBERTA
DEPARTMENT OF HIGHWAYS
BRIDGE BRANCH, EDMONTON

FILE NO.	HWY. NO.	DWG. NO.
LOCATION	SCALE AS SHOWN	5648
STREAM	SHEET	OF

DESIGNED BY: R. E. B.
DATE: AUG. 21, 31
CHECKED BY: R. E. B.
DATE: _____

ALBERTA RECORDS CENTRE