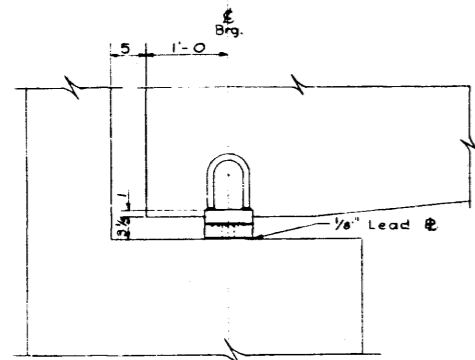
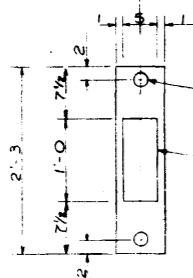


DESIGNED BY: E. R. C. DATE: APRIL 12 1956  
 CHECKED BY: DATE:

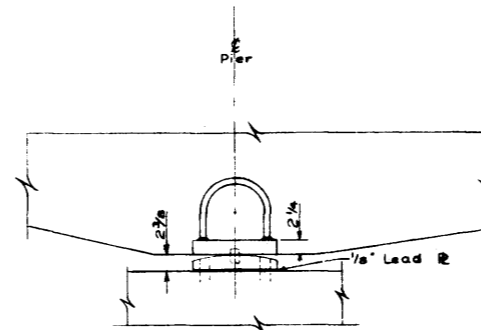


SOLE PLATE - 2 x 7 x 1'-6" - 8 REQ'D



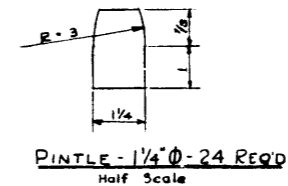
BED PLATE - 2 x 7 x 2'-3" - 8 REQ'D

ABUTMENT - BEARING DETAILS  
 Scale - 1" = 1'-0"

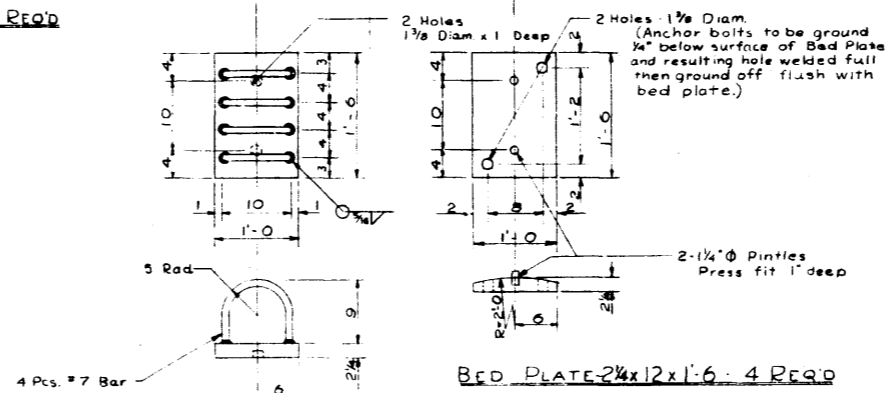


SOLE PLATE - 2 1/4 x 12 x 1'-6" - 4 REQ'D

FIXED PIER - BEARING DETAILS  
 Scale - 1" = 1'-0"

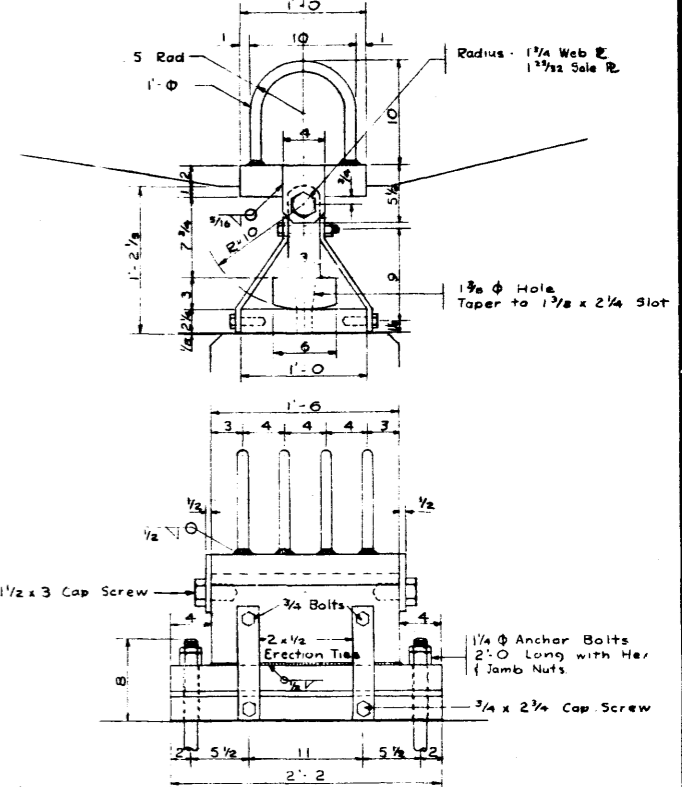


PINTLE - 1/4" Ø - 24 REQ'D  
 Half Scale

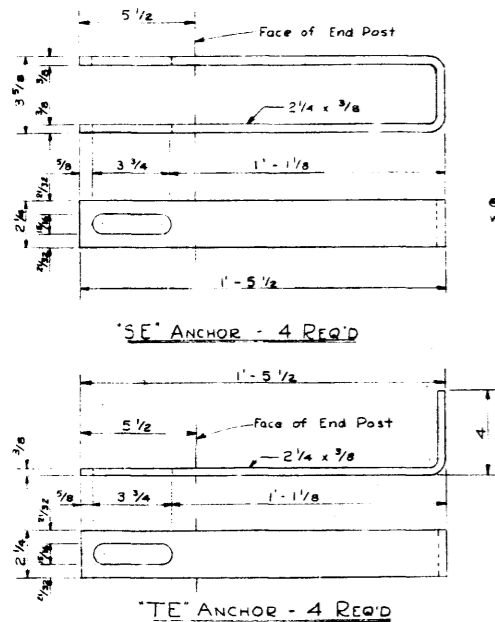


BED PLATE - 2 1/4 x 12 x 1'-6" - 4 REQ'D

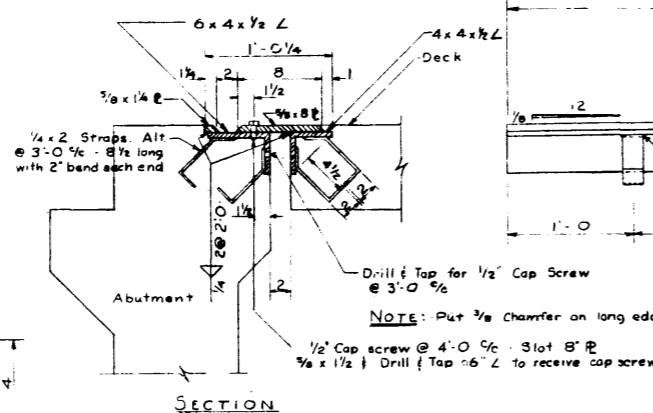
NOTE  
 SHOP PAINT  
 One coat red lead to all surfaces not in contact with concrete  
 FIELD PAINT  
 Two coats aluminum



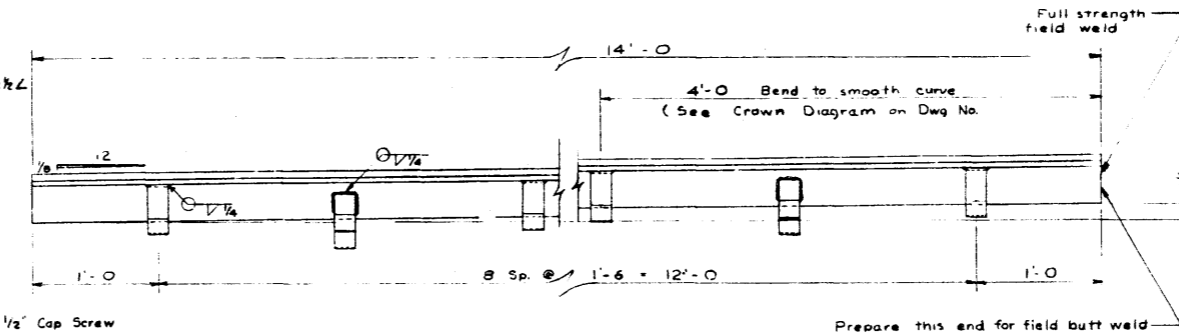
EXPANSION PIER - BEARING DETAILS  
 Scale 1 1/2" = 1'-0" 4 Req'd as shown



HANDRAIL ANCHORS AT ABUTMENTS  
 Scale - 3" = 1'-0"

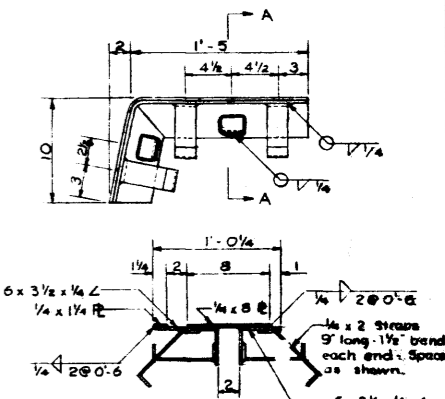


ANCHOR BOLT - 24 REQ'D - 1/4" Ø  
 Scale - 1/2" = 1'-0" (Does not include expansion pier bolts)



DECK EXPANSION PLATE  
 Scale - 1/2" = 1'-0" 2 Req'd as drawn - 2 Req'd opp hand

QUANTITY ESTIMATE		
ITEM	QUANTITY	UNIT
Miscellaneous Iron	8826	Lbs.



SECTION A-A  
 CURB EXPANSION PLATE  
 Scale - 1/2" = 1'-0" 2 Req'd as drawn - 2 Req'd opp hand

NO.	DATE	DESCRIPTION	BY
4			
3			
2			
1			

STANDARD 53-74-53 28' ROADWAY  
 CONCRETE GIRDER BRIDGE  
 MISCELLANEOUS DETAILS

GOVERNMENT OF THE PROVINCE OF ALBERTA  
 DEPARTMENT OF HIGHWAYS  
 BRIDGE BRANCH, EDMONTON

FILE NO. \_\_\_\_\_ HWY. NO. \_\_\_\_\_ DWG. NO. 5656  
 LOCATION SCALE As Shown  
 STREAM SHEET OF