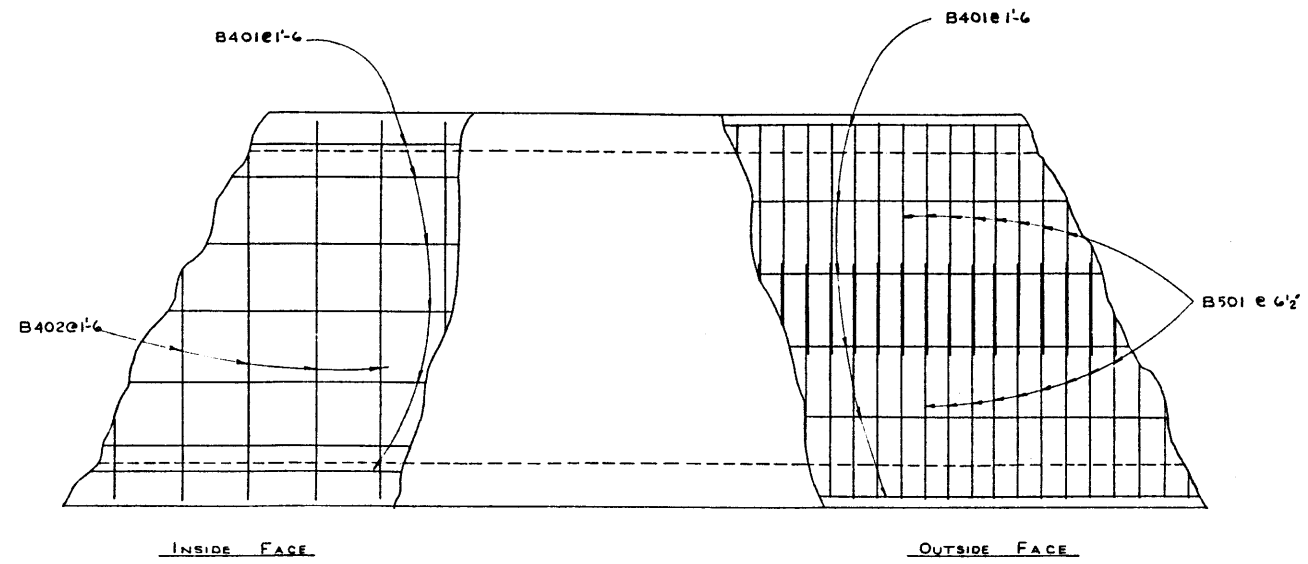


TYPICAL SECTION



INSIDE FACE OUTSIDE FACE

ELEVATION

SCALE: 1/2" = 1'-0"

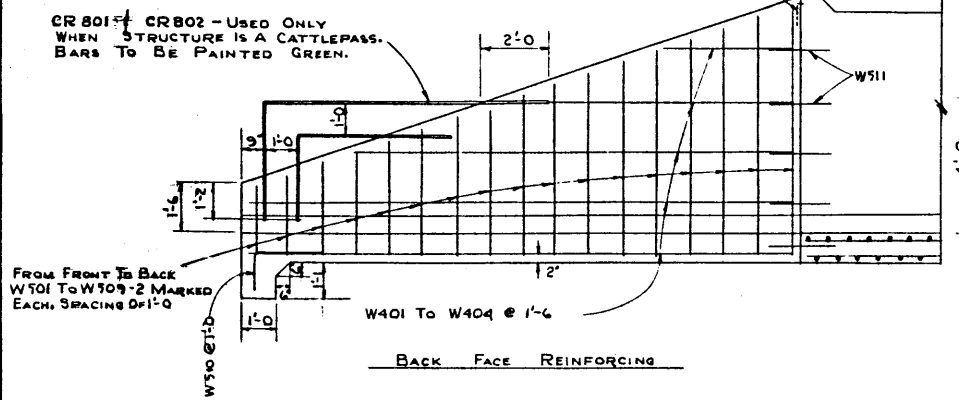
**WINGWALL BAR LIST**

MARK	SIZE	TYPE	NO.	X'	LENGTH	WEIGHT
W501	5	B	2	2'-1	13'-8	28
W502	5	B	4	2'-6	14'-6	60
W503	5	B	4	3'-1	15'-8	65
W504	5	B	4	3'-9	17'-0	71
W505	5	B	4	4'-6	18'-6	77
W506	5	B	4	5'-1	19'-8	82
W507	5	B	4	5'-9	21'-0	87
W508	5	B	4	6'-6	22'-6	94
W509	5	B	4	7'-1	23'-8	99
W401	4	Str	18		16'-2	194
W402	4		4		13'-3	35
W403	4		4		8'-9	23
W404	4		4		4'-3	11
W405	4		4		2'-0	5
W406	4		8		2'-6	13
W407	4		8		3'-6	18
W408	4		8		4'-6	24
W409	4		8		5'-6	29
W410	4		8		6'-6	35
W411	4		4		4'-8	12
W412	4		4		9'-6	25
W413	4		4		13'-2	35
W414	4	Str	4		16'-2	43
CR801	8	D	4	8'-6	12'-6	133
CR802	8	D	4	4'-6	7'-6	80
W510	5	C	20		3'-0	63
W511	5	Str	40		2'-0	83

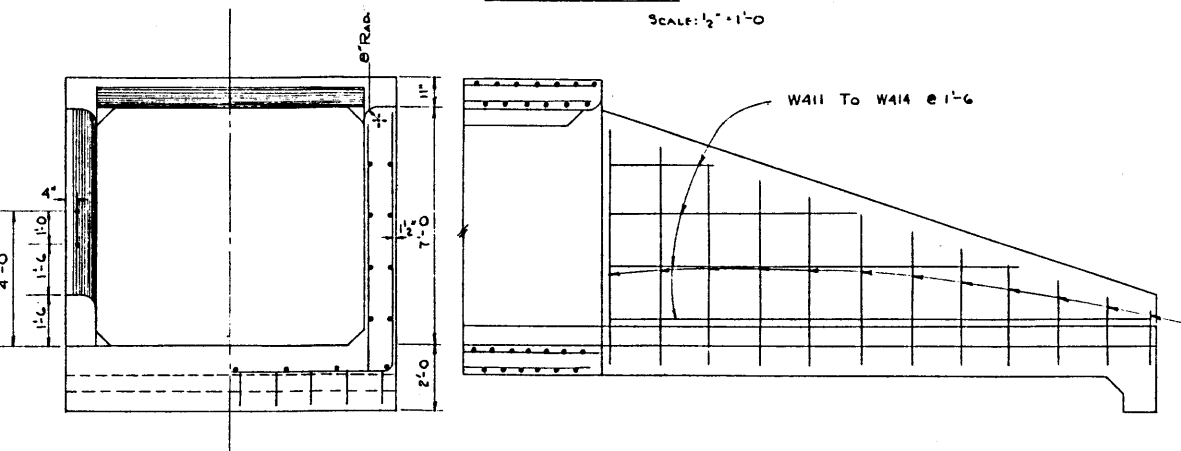
TOTAL: 1924#

BARREL BAR LIST

COVER	MARK	SIZE	NO.	TYPE	LENGTH	WEIGHT
0-5"	B501	5		A	9'-3	
0-5"	B401	4		Str	9'-6	
0-5"	B402	4		Str	8'-6	
5-10"						
10-15"						



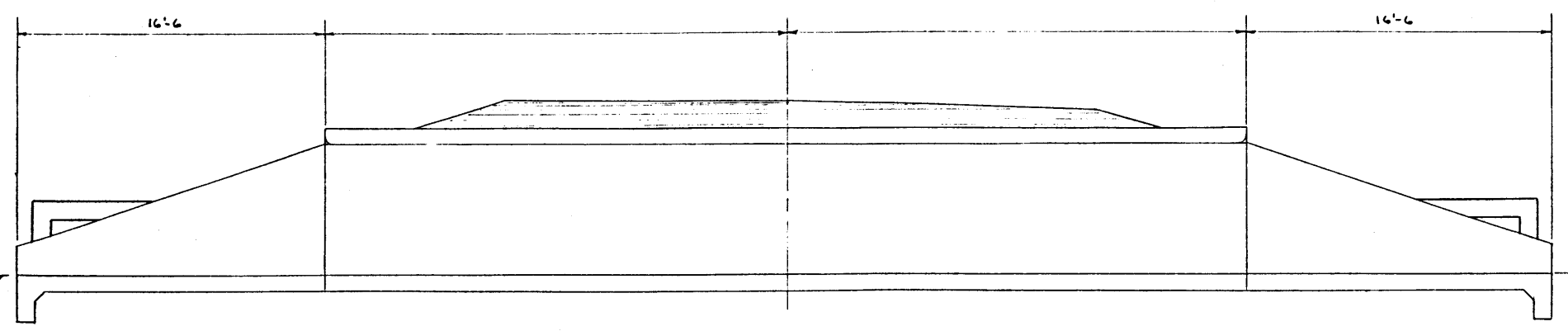
BACK FACE REINFORCING



FRONT FACE REINFORCING

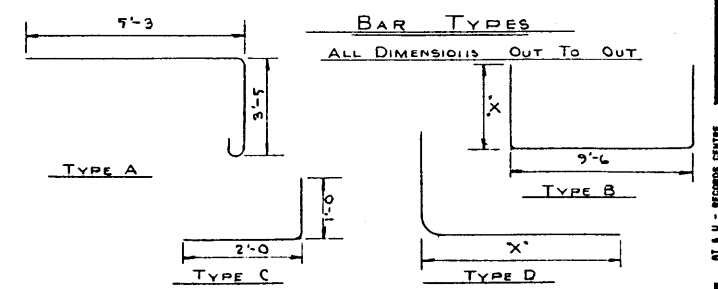
WING DETAILS

SCALE: 3/8" = 1'-0"



SECTION ALONG CATTLEPASS

SCALE: 1/4" = 1'-0"



**STANDARD 7+8**  
**CATTLEPASS**

**GOVERNMENT OF THE PROVINCE OF ALBERTA**  
DEPARTMENT OF HIGHWAYS  
BRIDGE BRANCH, EDMONTON

FILE NO. \_\_\_\_\_ HWY. NO. \_\_\_\_\_ DWG. NO. **5664**  
LOCATION \_\_\_\_\_ SCALE \_\_\_\_\_ SHEET OF \_\_\_\_\_  
STREAM \_\_\_\_\_

DESIGNED BY \_\_\_\_\_ DATE \_\_\_\_\_  
 CHECKED BY \_\_\_\_\_ DATE \_\_\_\_\_  
 DRAWN BY \_\_\_\_\_ DATE \_\_\_\_\_

NO.	DATE	DESCRIPTION	BY