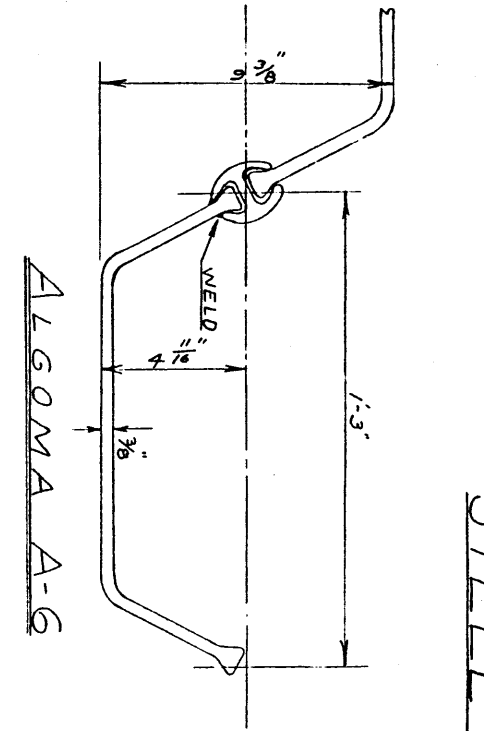
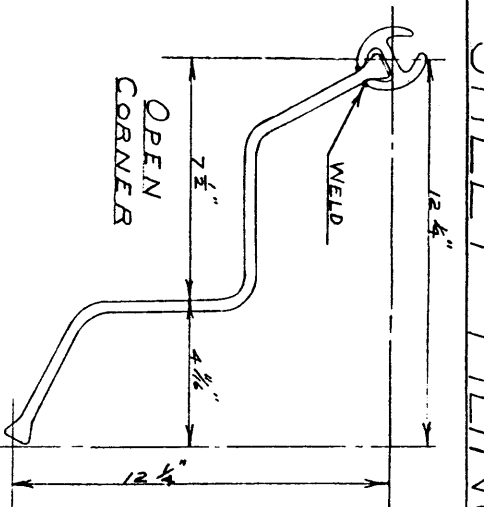


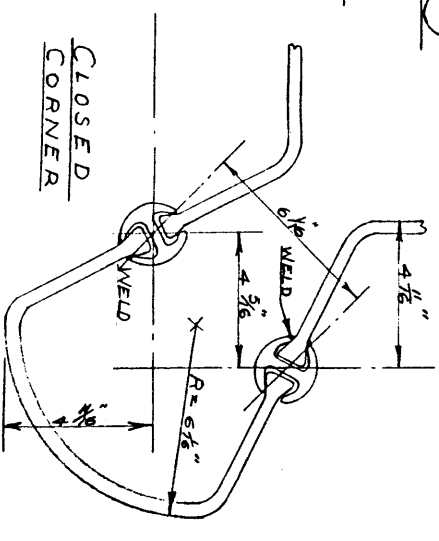
# STEEL SHEET PILING



ALGOMA A-6

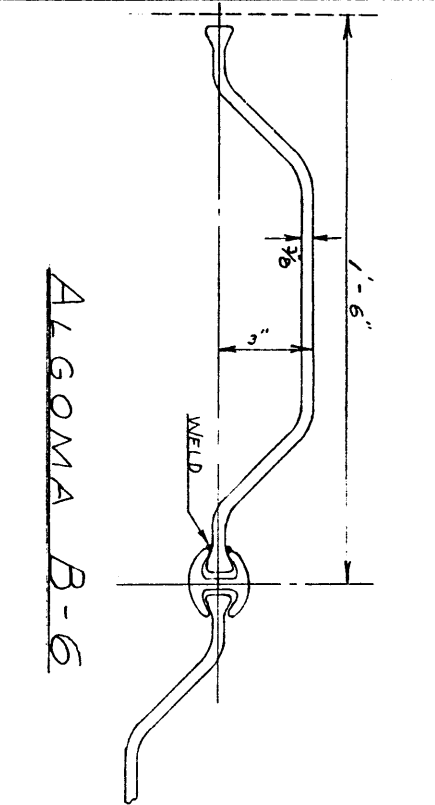


OPEN CORNER

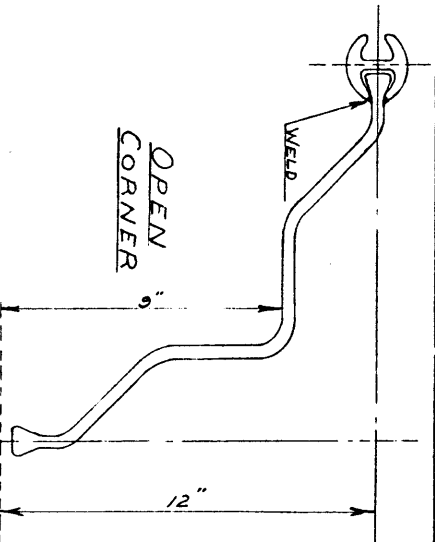


CLOSED CORNER

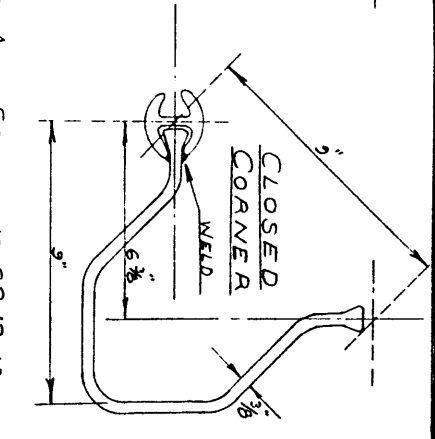
ALL SECTIONS 32.75 LBS PER FT.



ALGOMA B-6

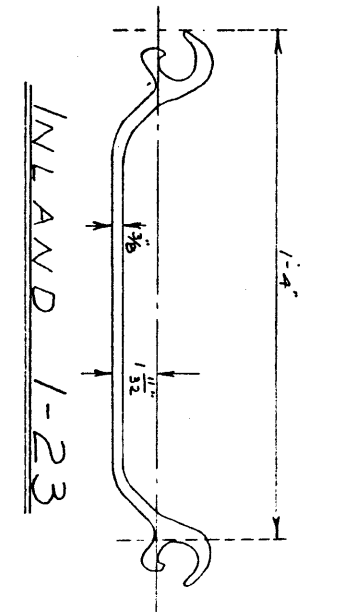


OPEN CORNER

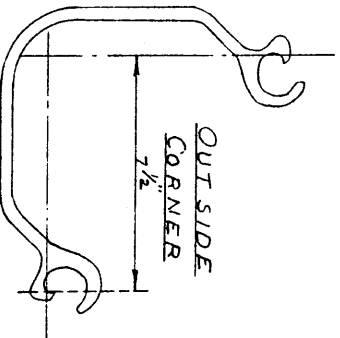


CLOSED CORNER

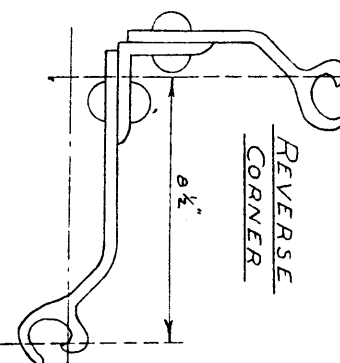
ALL SECTIONS 33.12 LBS PER FT.



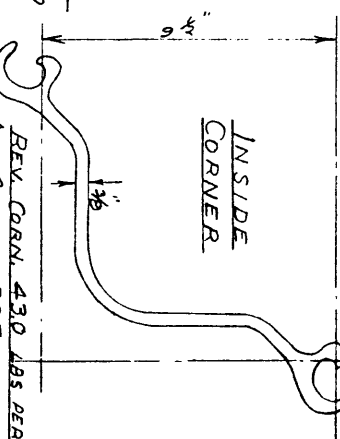
INLAND 1-23



OUTSIDE CORNER

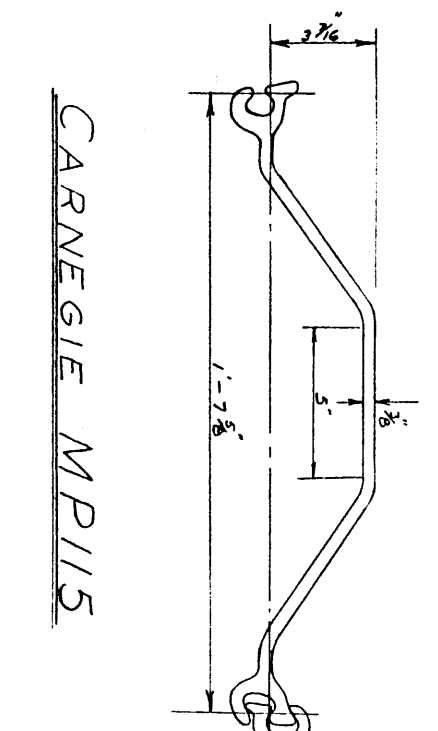


REVERSE CORNER

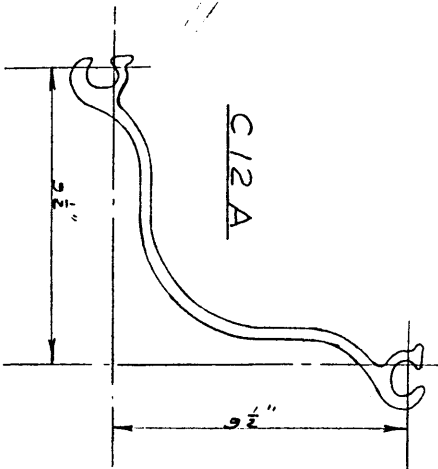


INSIDE CORNER

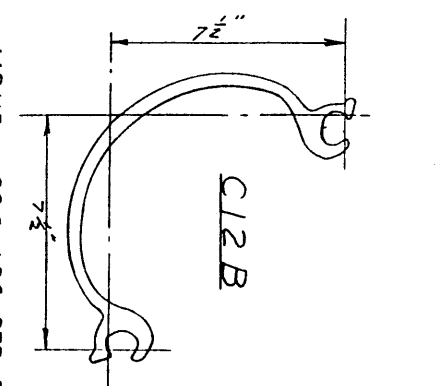
REV. CORN. 43.0 LBS PER FT.  
ALL OTHERS 30.7 LBS PER FT.



CARNEGIE MP115

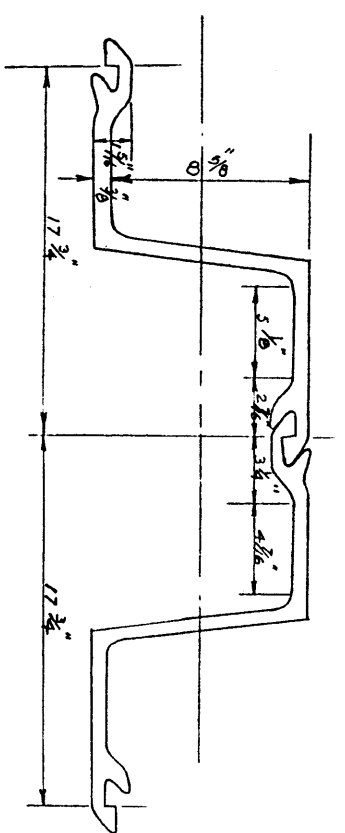


C12A

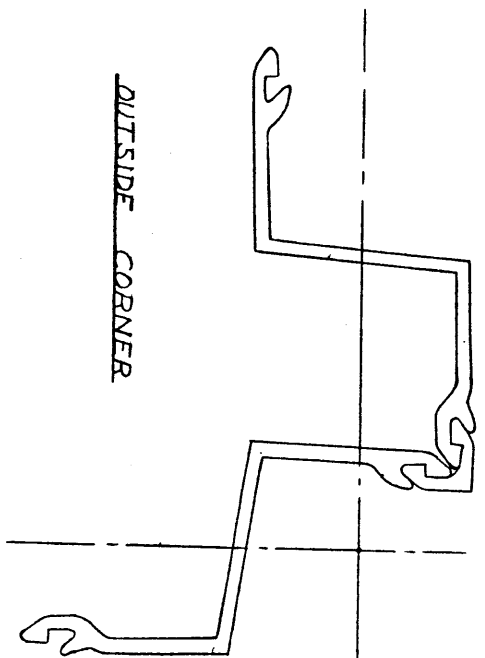


C12B

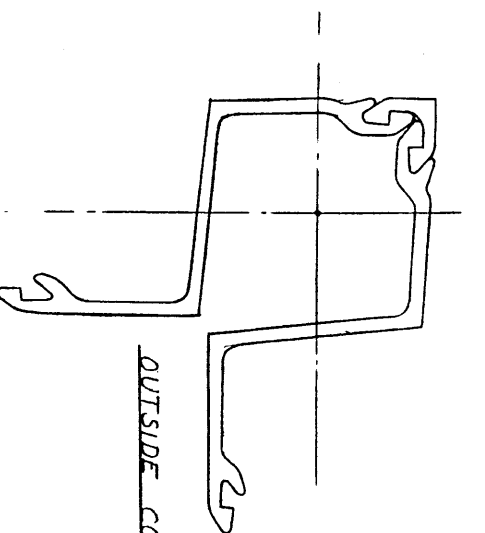
MP115 36.0 LBS PER FT.  
CORNERS 30.7 LBS PER FT.



INSIDE CORNER



OUTSIDE CORNER



OUTSIDE CORNER

S-670

BZ 11N WEIGHS 47 LBS/FT.

BELVAL SECTION BZ 11N

CORNERS 81 LBS PER FT.  
OTHERS 36.9 LBS PER FT.