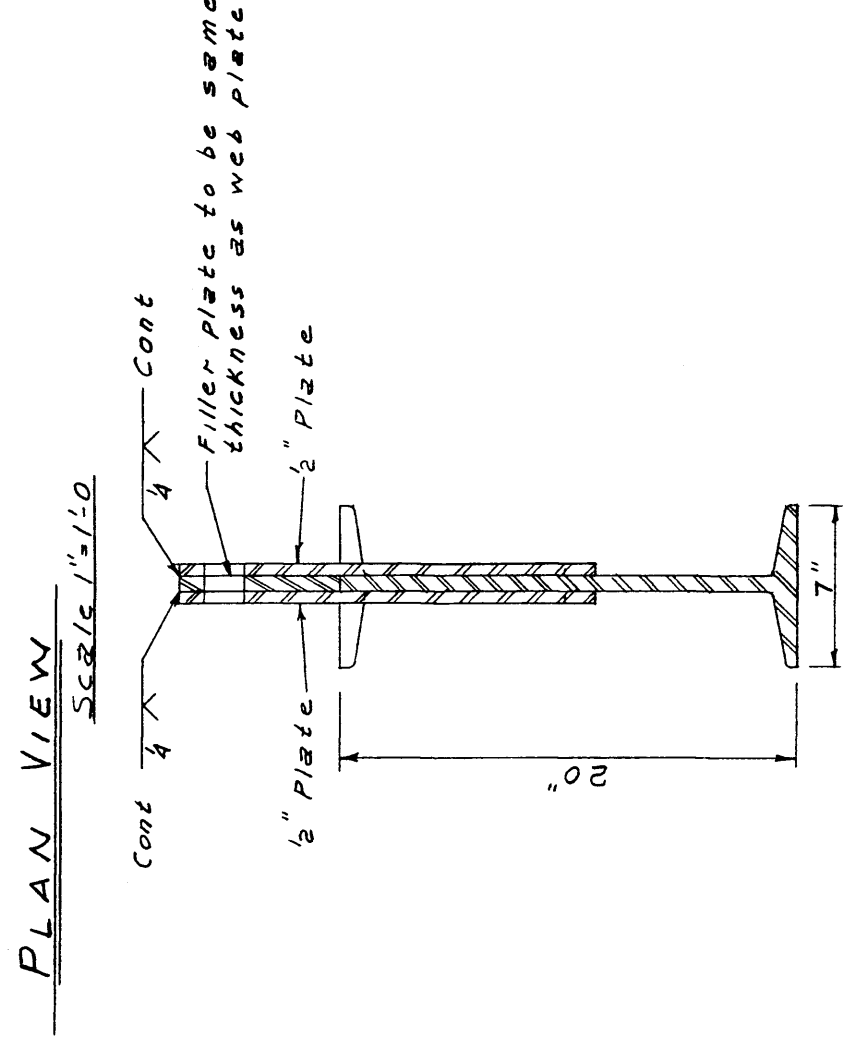
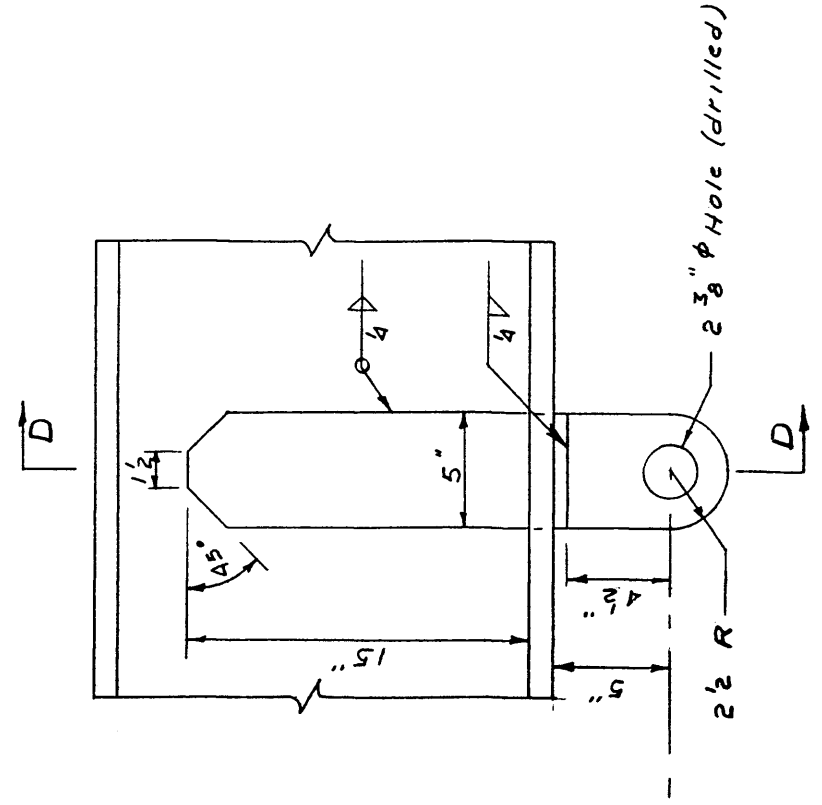


DETAIL - A -

Scale 1/2" = 1'-0"

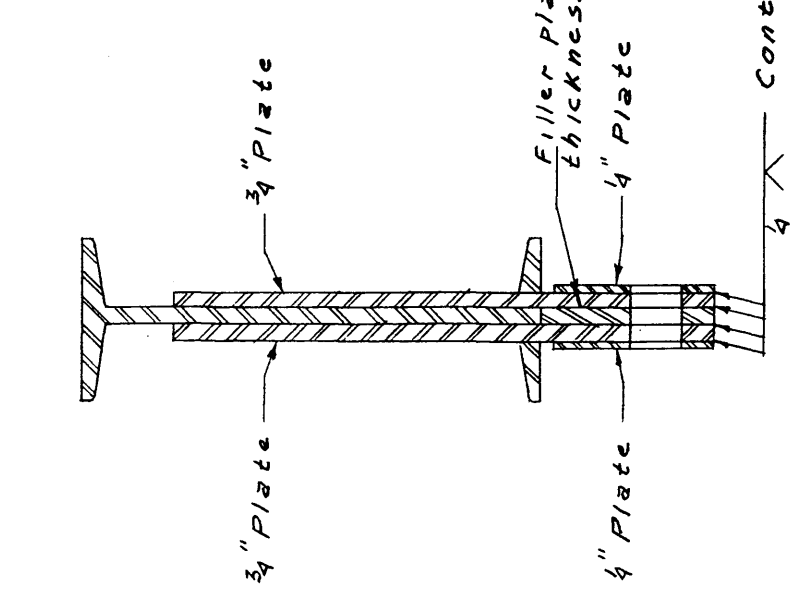


SECTION C-C



DETAIL - B -

Scale 1/2" = 1'-0"



SECTION D-D



EQUALIZER BEAM

JULY 23, 1958 P.M.

CAPACITY 64,000 LBS.

5681