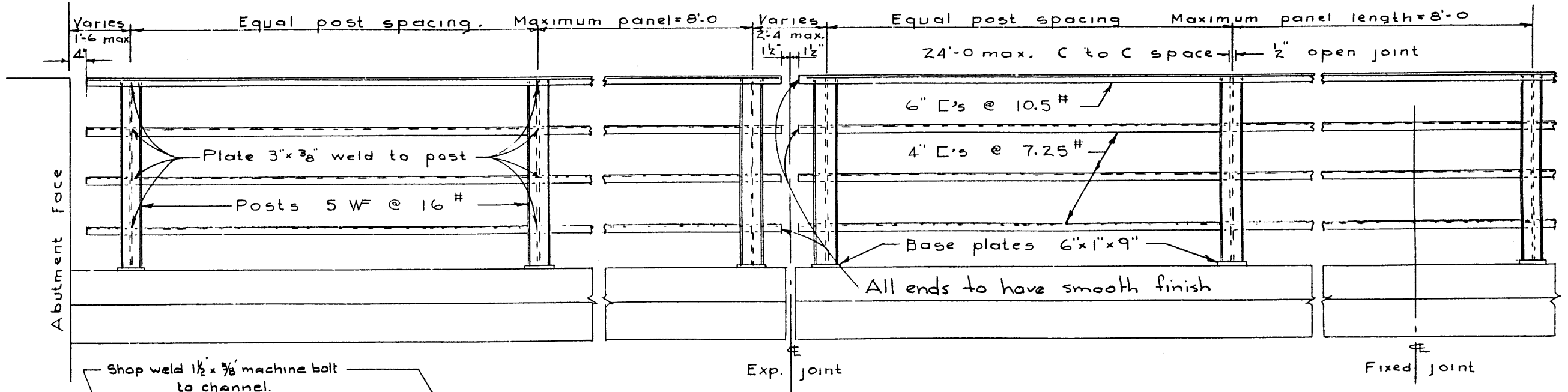
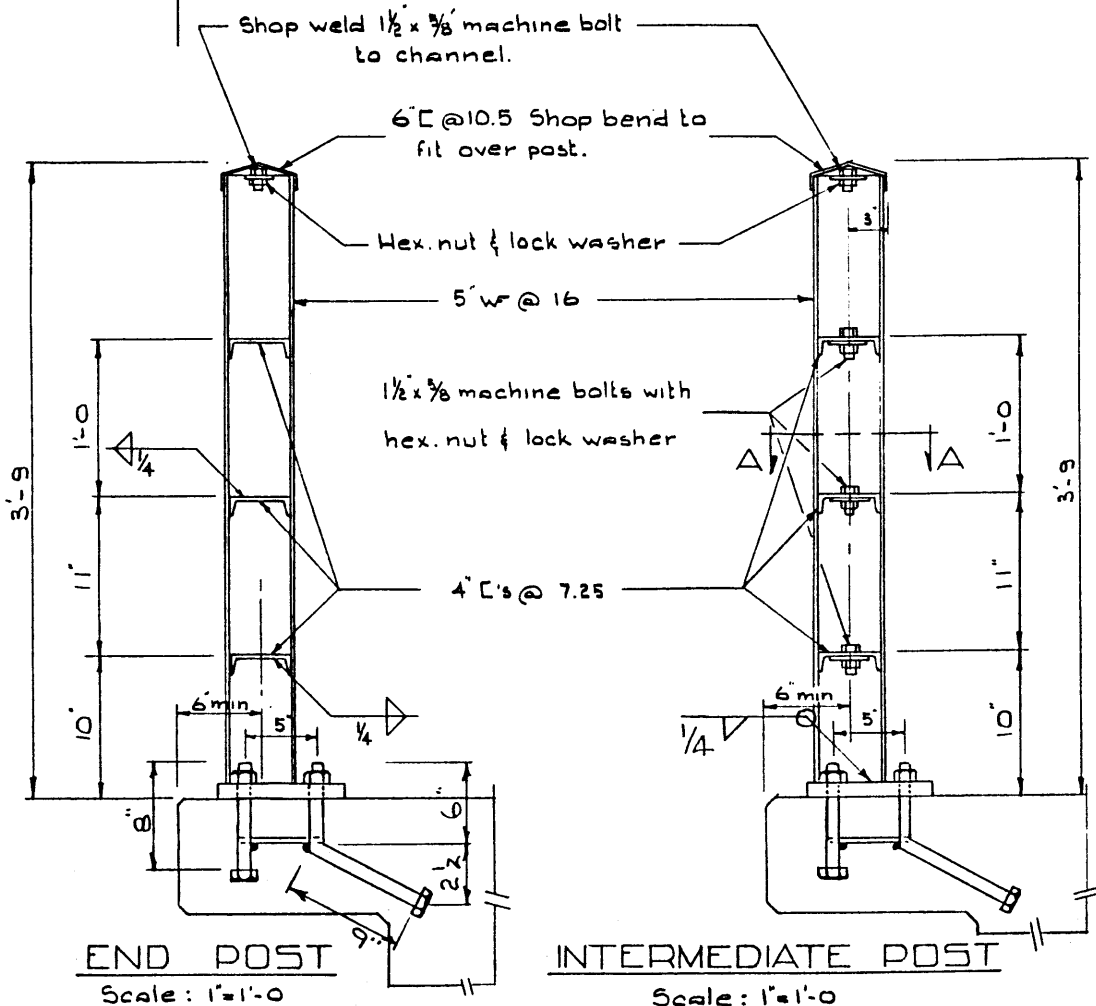


**NOTE**

- Quantity is given in lin. ft. of actual handrailing including posts, etc. but not the 4' gaps.
- All metal except anchor bolts to be shop coated one coat red lead oxide paint.
- All posts to be vertical.

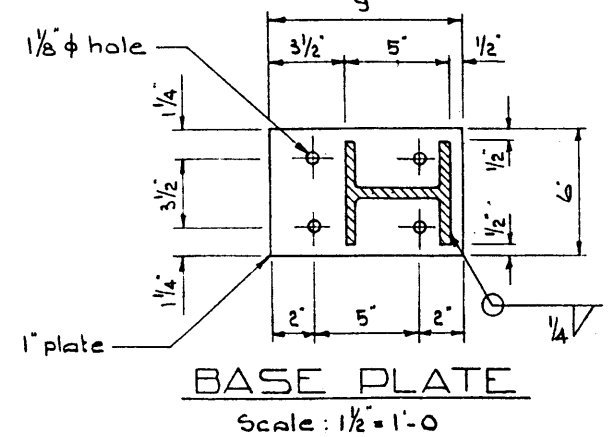
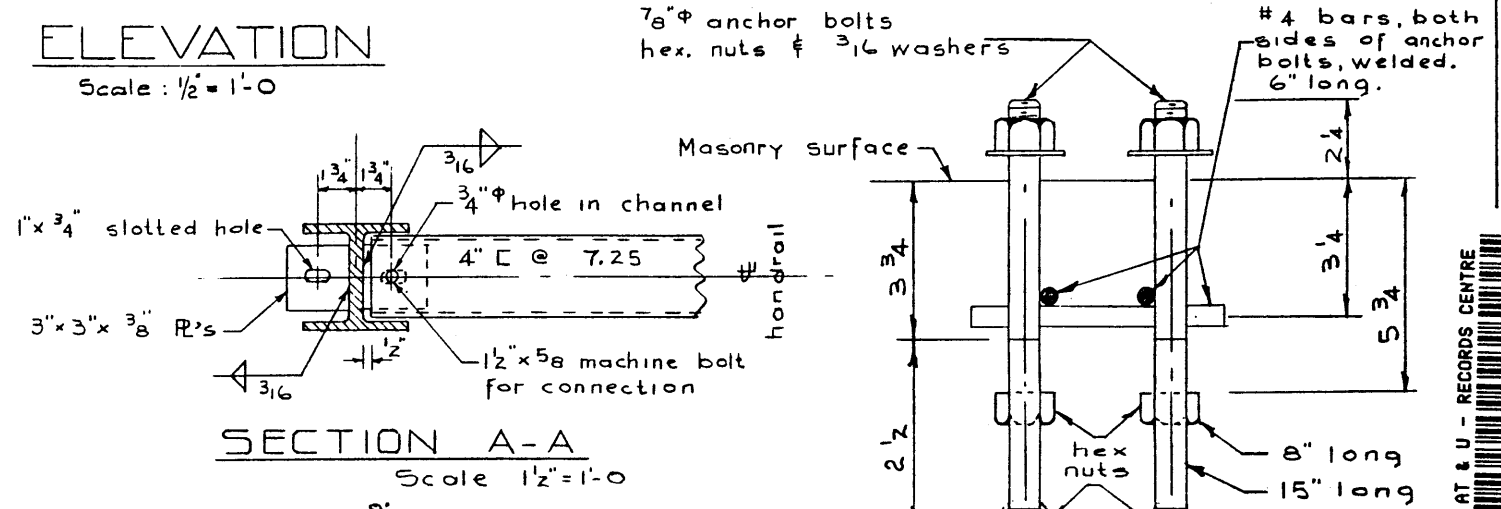


**ELEVATION**  
Scale: 1/2" = 1'-0"



Cantilevered side only, other side similar to intermediate post.

**POST DETAILS**



**STANDARD CHANNEL HANDRAIL**

Aug. 14/59

S-687-A

