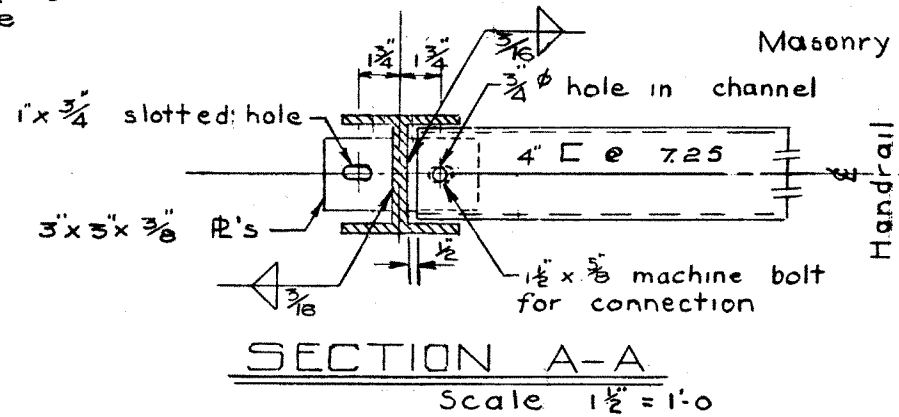
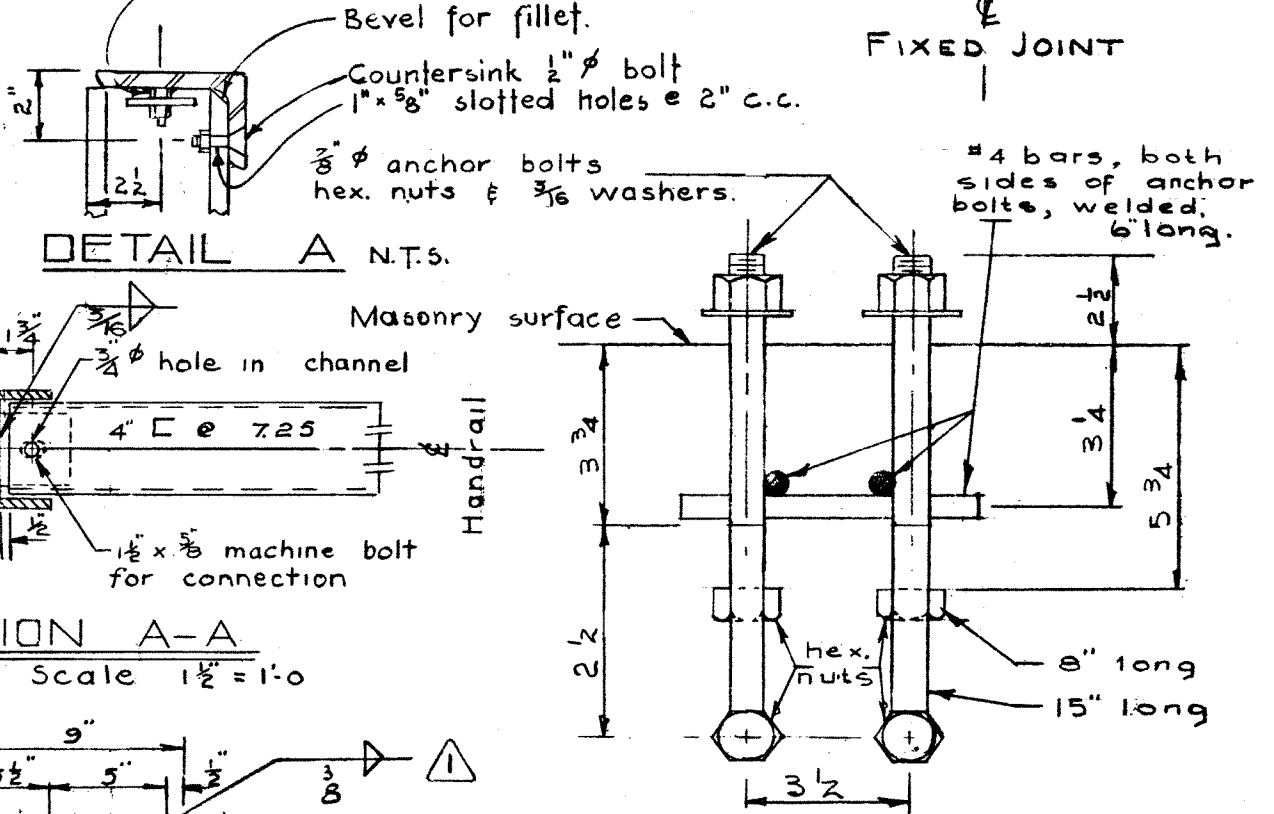


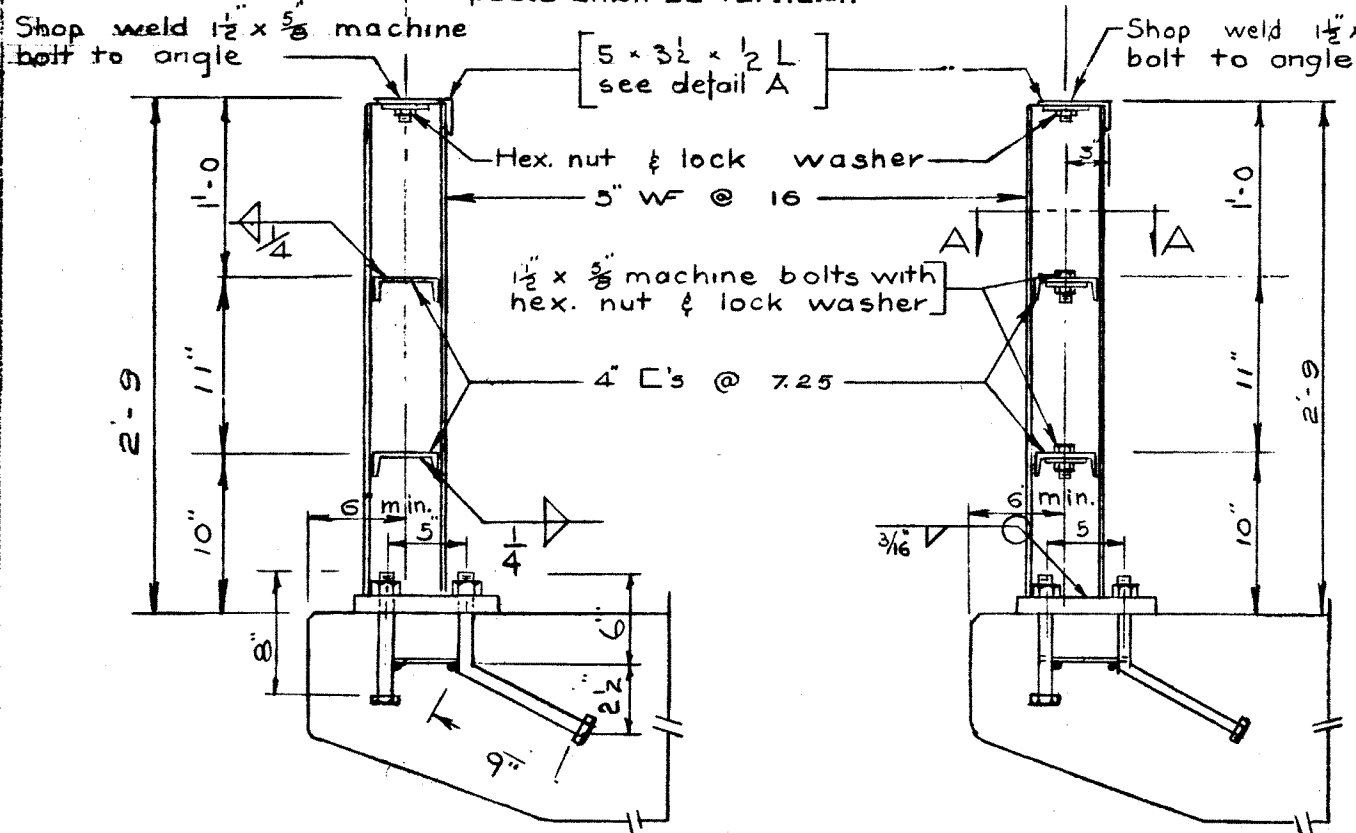
NOTE - Quantity is given in lineal ft. of actual handrailing including posts, etc. but not the 4" gaps.

- All metal except anchor bolts to be shop coated one coat red lead oxide paint.
- All posts shall be vertical.

ELEVATION
Scale 1/2" = 1'-0"

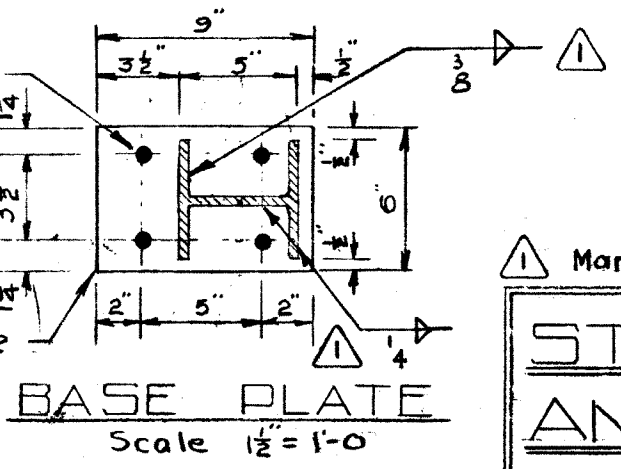


POST ANCHOR BOLTS
Scale 3" = 1'-0"



END POST
Cantilevered, side only, other side similar to intermediate post.
Scale: 1" = 1'-0"

INTERMEDIATE POST
Scale 1" = 1'-0"



POST DETAILS SUPERSEDED

Mar. 27. Post weld. B.W.S.

STANDARD CHANNEL AND ANGLE HANDRAIL

Oct. 18/60 Revised *HL*
Feb 20/58

S-687B