

NOTE: Quantity is given in lineal ft. of actual handrailing including posts, etc. but not the 4" gaps.

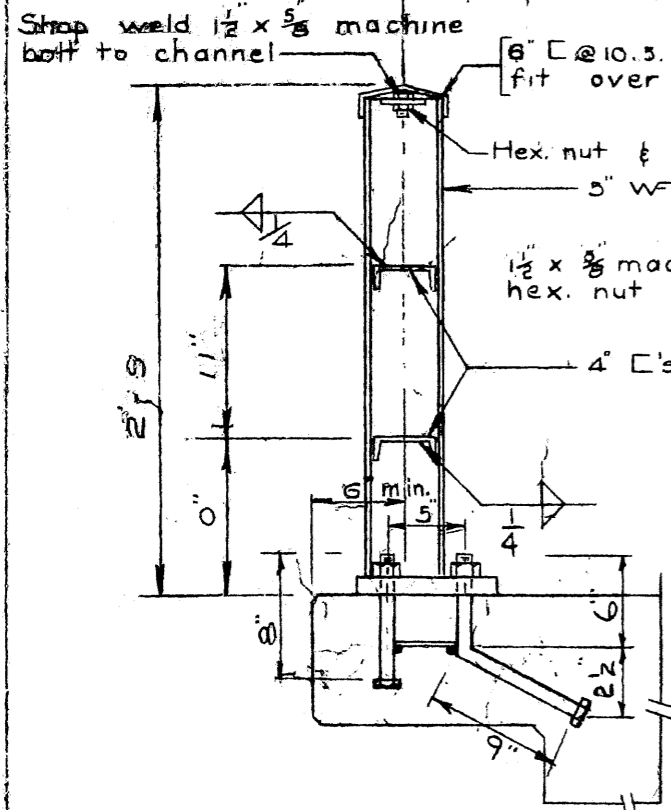
- All metal except anchor bolts to be shop coated one coat red lead oxide paint.
- All posts shall be vertical.

ELEVATION

Scale $\frac{1}{2}$ " = 1'-0"

$\frac{3}{8}$ " ϕ anchor bolts hex. nuts & $\frac{3}{16}$ " washers.

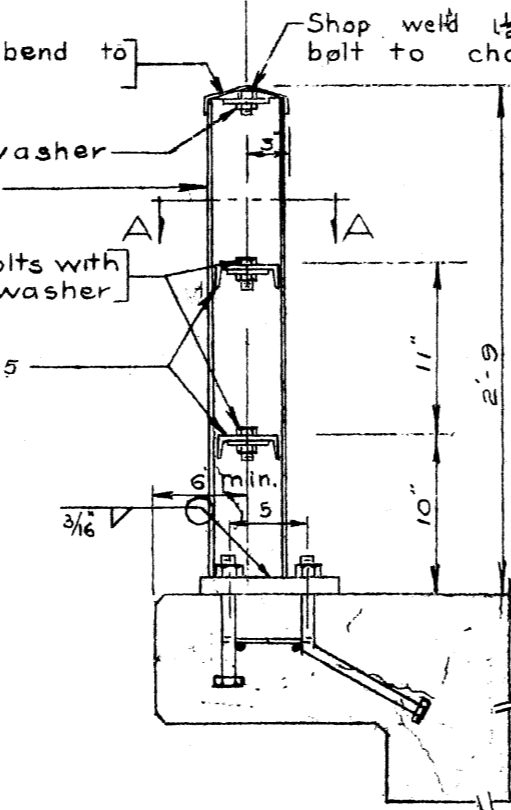
4 Bars, both sides of anchor bolts, welded, 6" long



END POST

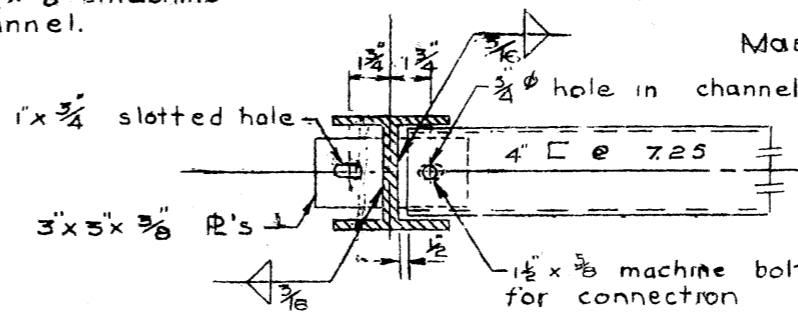
Cantilevered side only, other side similar to intermediate post.

Scale: 1" = 1'-0"



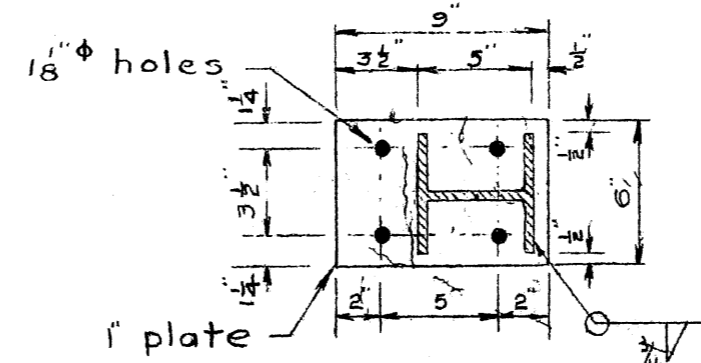
INTERMEDIATE POST

Scale 1" = 1'-0"



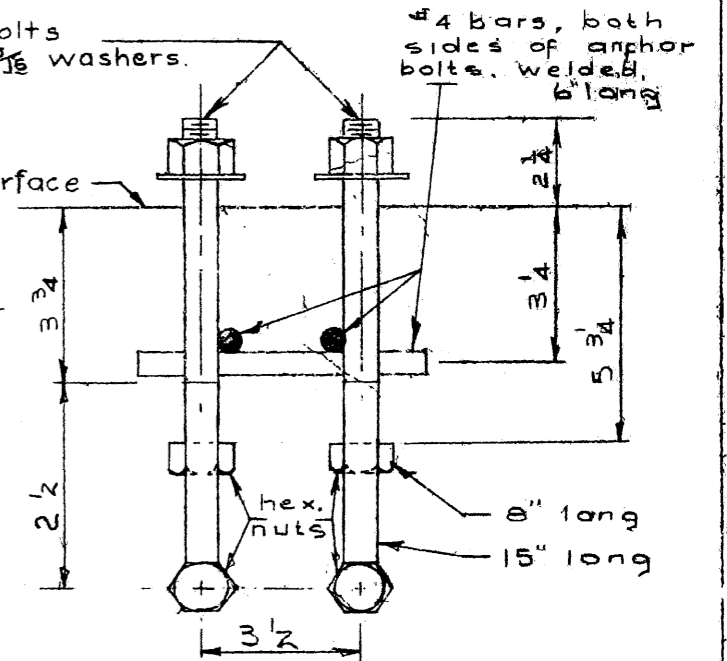
SECTION A-A

Scale $1\frac{1}{2}$ " = 1'-0"



BASE PLATE

Scale $1\frac{1}{2}$ " = 1'-0"



POST ANCHOR BOLTS

Scale 3" = 1'-0"

STANDARD CHANNEL HANDRAIL

Feb. 20/58

S-687

A T & U SEMI-ACTIVE RECORDS CENTRE

