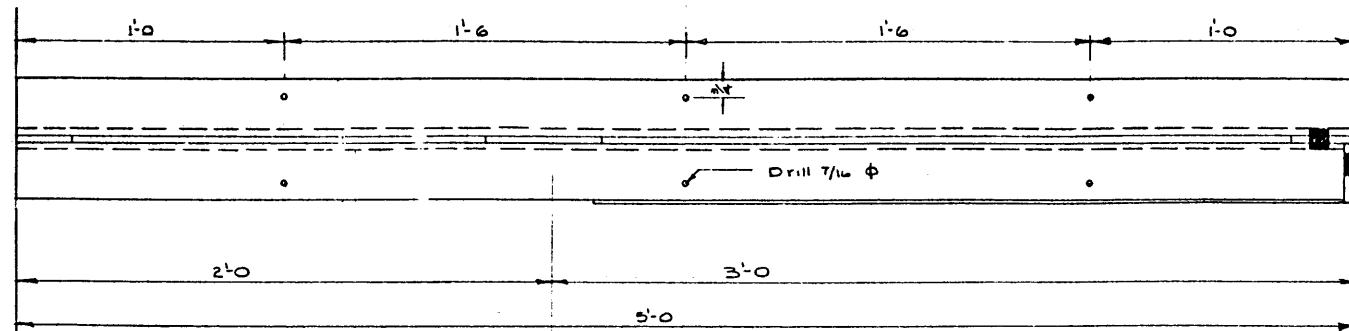
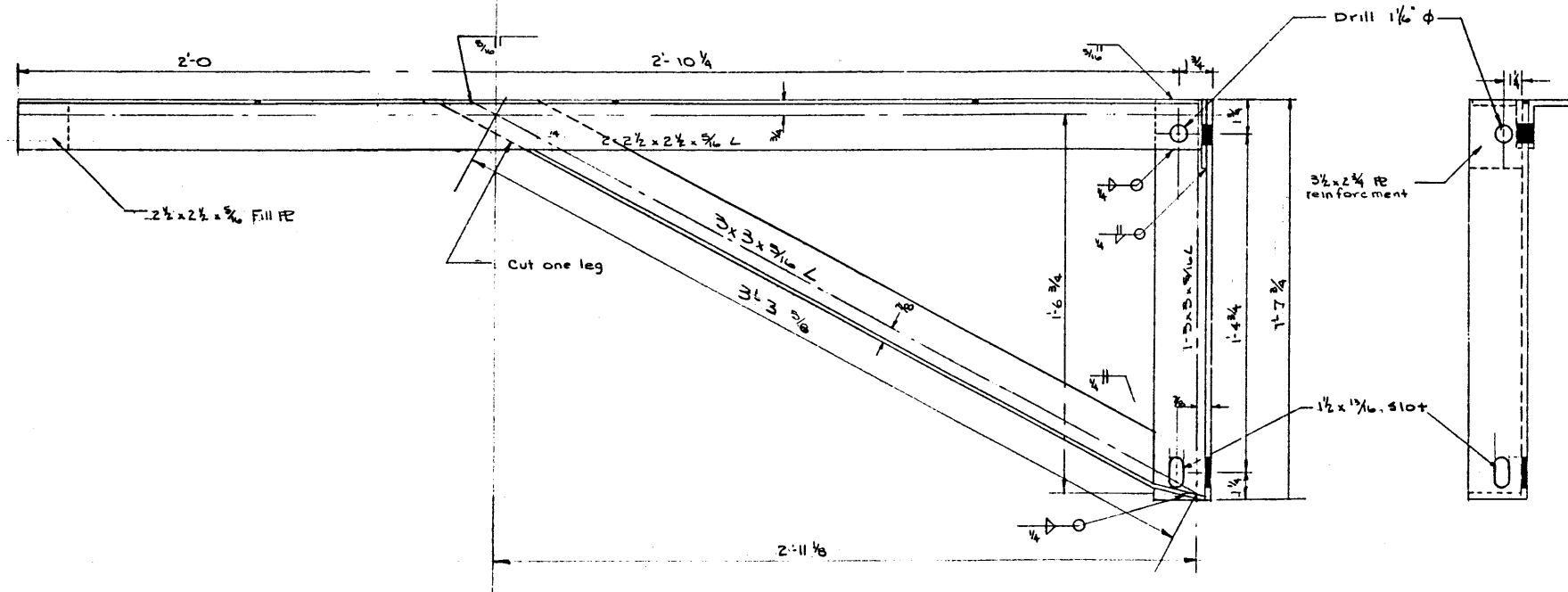


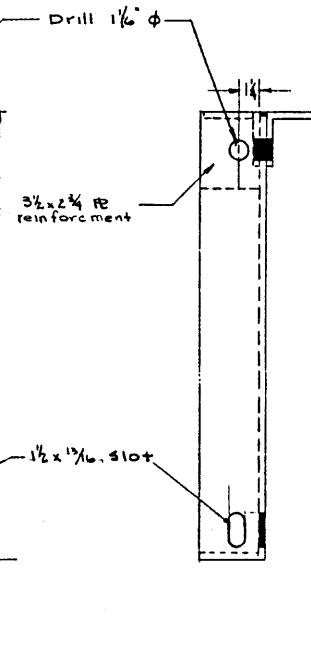
DESIGNED BY: R. B. A. DATE: JAN 11 1954
 CHECKED BY: P. B. A. DATE: FEB 2 1954
 DRAWN BY: P. B. A. DATE: FEB 2 1954
 SCALE: 1" = 1'-0"



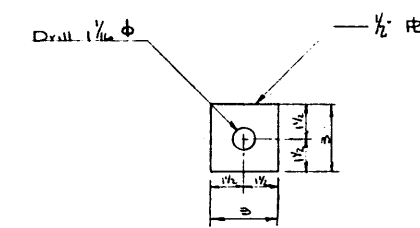
TOP VIEW



SIDE VIEW



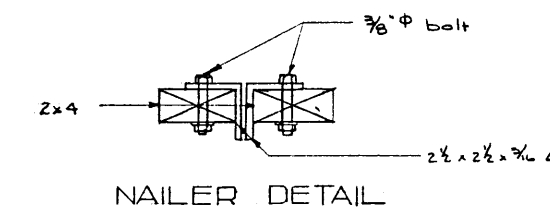
END VIEW



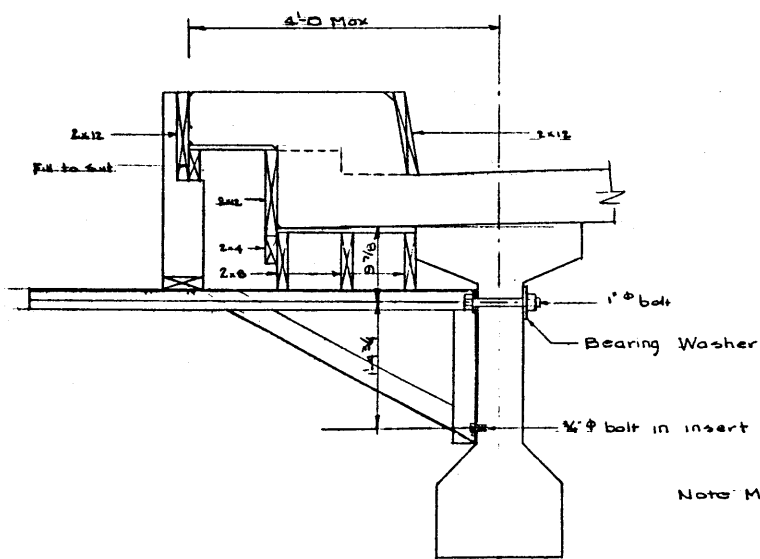
BEARING WASHER

GENERAL NOTES

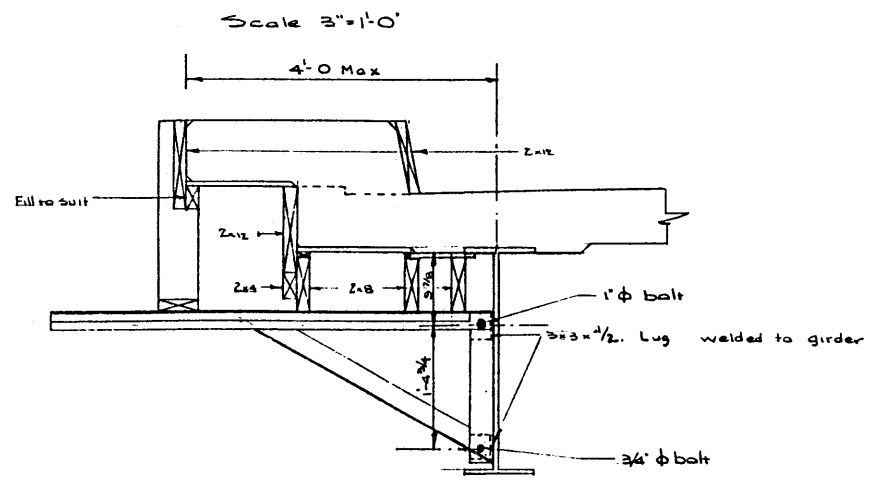
Max support spacing 8'-0"
 Support to be attached to precast girder with 1x8 bolt through girder at the top & 3/4" phi bolt into insert at the bottom.
 Support to be attached to steel girders using lug of 3/4" x 3/4" x 1/2" FE. Welded all around with 3/8" fillet weld. Use 1" phi bolt at top & 3/4" phi bolt at the bottom.
lull web for top 1/16



NAILER DETAIL



Note: Min Girder Depth = 5'-8



Note: Min Girder Depth 2'-6

CURB FORMS FOR STEEL AND PRECAST GIRDERS

Scale 1" = 1'-0"

NO.	DATE	DESCRIPTION	BY

CURB FORM SUPPORTS FOR STEEL AND PRECAST GIRDERS

GOVERNMENT OF THE PROVINCE OF ALBERTA DEPARTMENT OF HIGHWAYS BRIDGE BRANCH, EDMONTON			
FILE NO.	HWY. NO.	DWG. NO.	
LOCATION	SCALE		5688
STREAM	SHEET	OF	

AT & U - RECORDS CENTRE