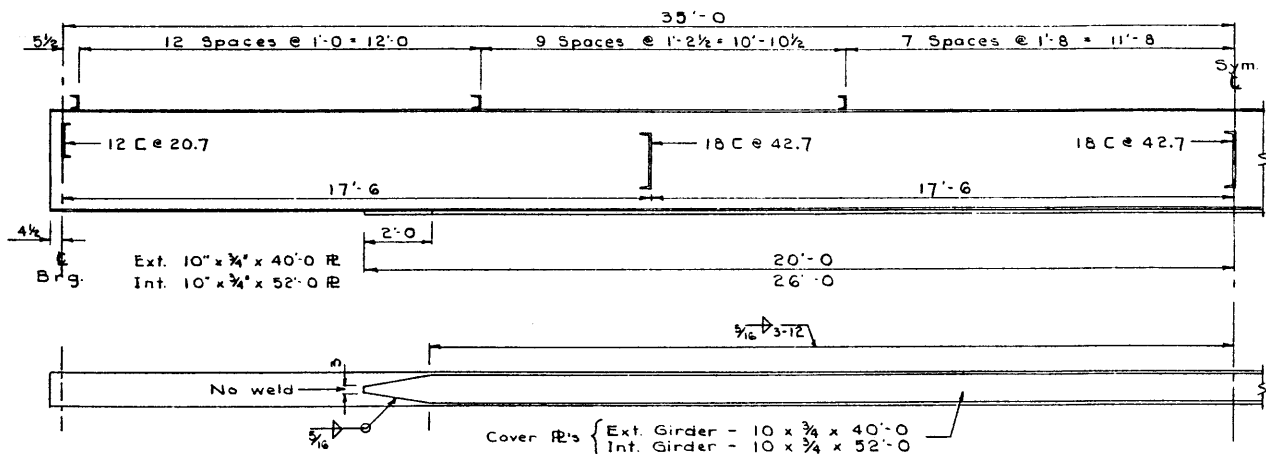
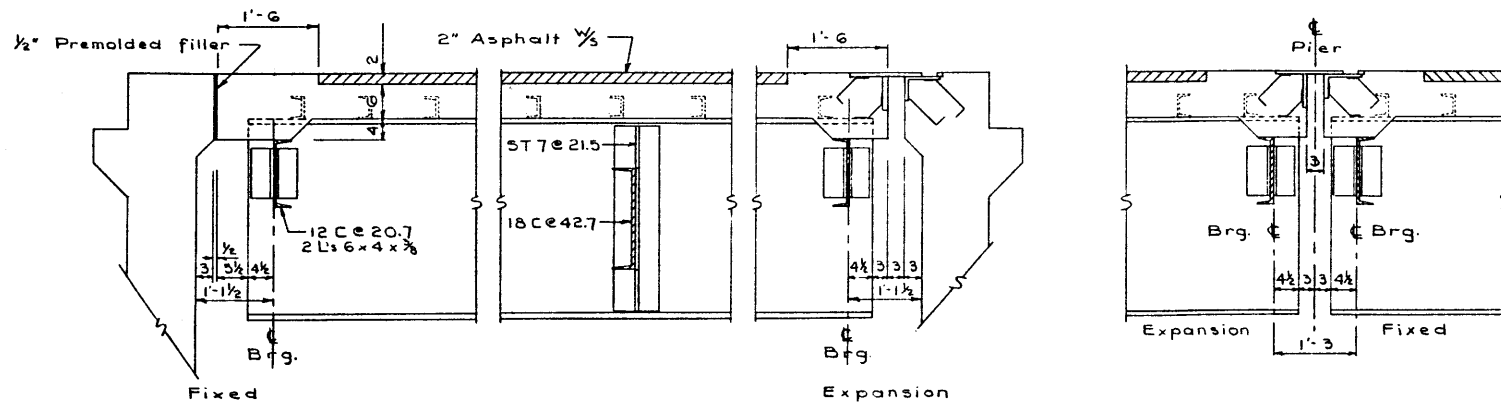


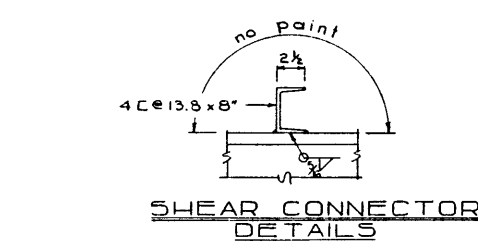
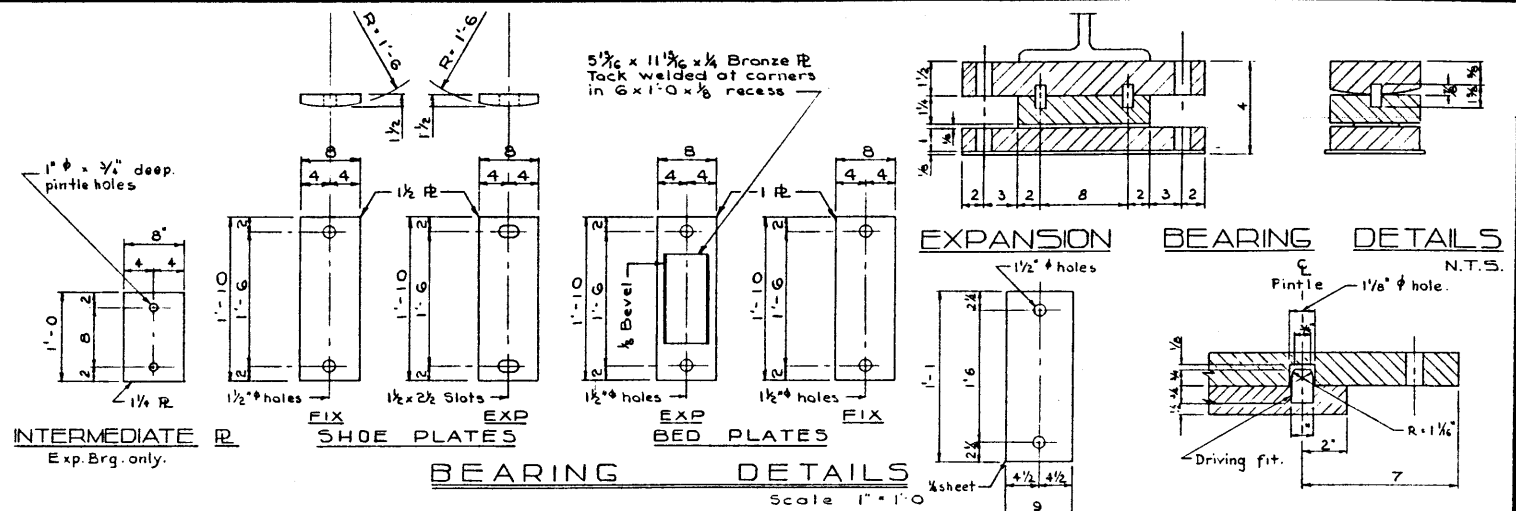
HALF DECK SECTION
Scale 3/4" = 1'-0"



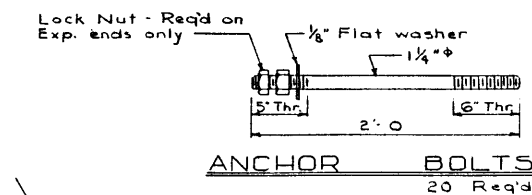
GIRDER DETAILS
Scale 3/8" = 1'-0"



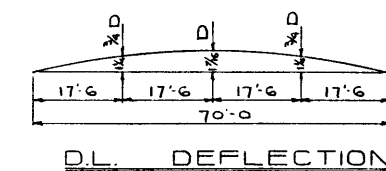
LONGITUDINAL SECTIONS
Scale 3/4" = 1'-0"



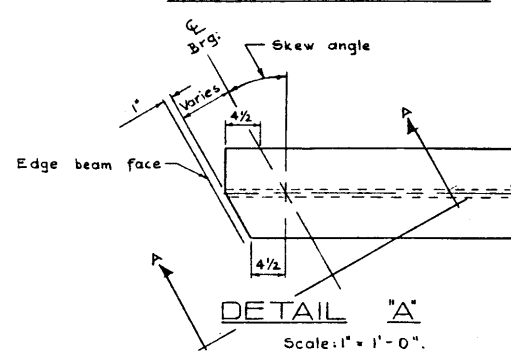
SHEAR CONNECTOR DETAILS



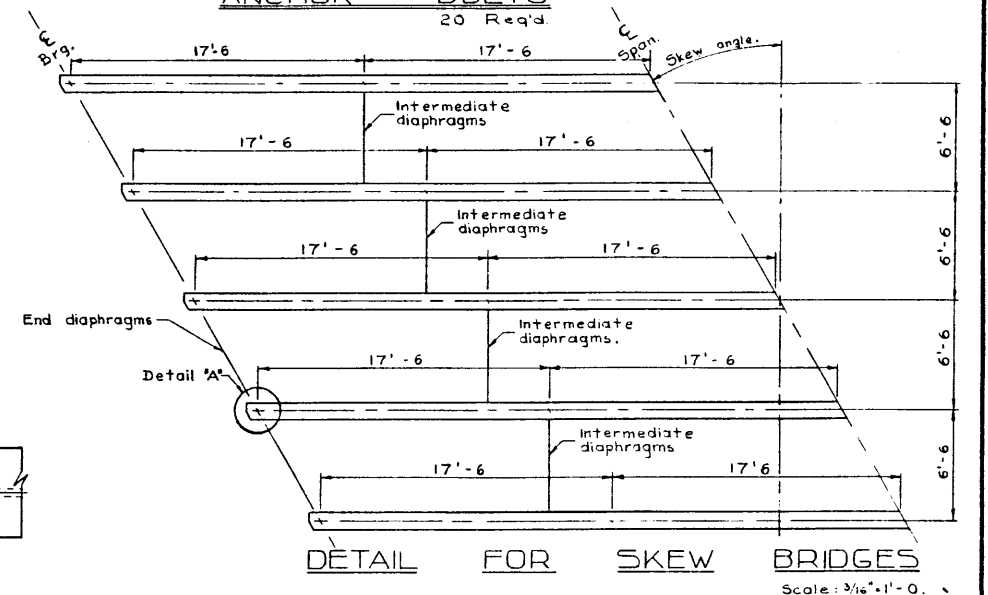
ANCHOR BOLTS
20 Req'd



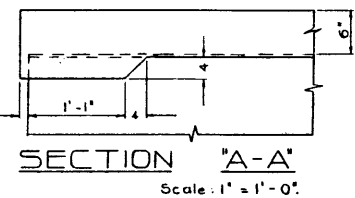
D.L. DEFLECTION



DETAIL 'A'
Scale: 1" = 1'-0"



DETAIL FOR SKEW BRIDGES
Scale: 3/16" = 1'-0"



SECTION 'A-A'
Scale: 1" = 1'-0"

NOTE
Detail applies to both, expansion and fixed ends.

GENERAL NOTES
- Shop paint - 1 coat red lead, except on surfaces in contact with concrete.
- Design AASHO 1957 specs.
- Live load H20-S16 - 44.

DESIGNED BY: S.G.V.
DATE: Feb. 26, 1953
CHECKED BY: S.G.V.
DATE: _____

NO.	DATE	DESCRIPTION	BY

**STANDARD 70' SPAN
28' ROADWAY
COMPOSITE GIRDER DETAIL**

GOVERNMENT OF THE PROVINCE OF ALBERTA
DEPARTMENT OF HIGHWAYS
BRIDGE BRANCH, EDMONTON

FILE NO.	HWY. NO.	DWG. NO.
LOCATION	SCALE Shown	5683
STREAM	SHEET OF	

AT U.S. RECORDS CENTRE