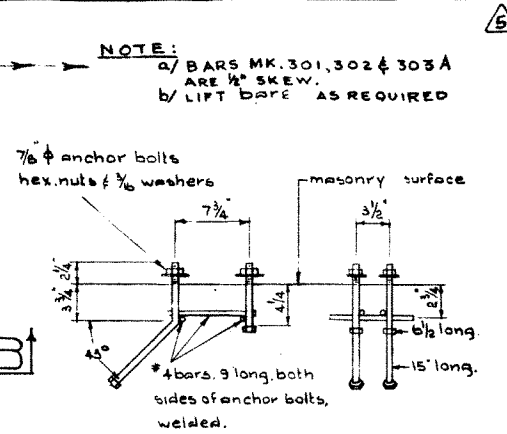


PLAN VIEW
SCALE 3/8" = 1'-0"



NOTE:
a/ BARS MK.301, 302 & 303A ARE 1/2" SKEW.
b/ LIFT BARS AS REQUIRED

7/8" anchor bolts
hex nuts & 3/8" washers

3/4" masonry surface

3/8"

3/4" long

15" long

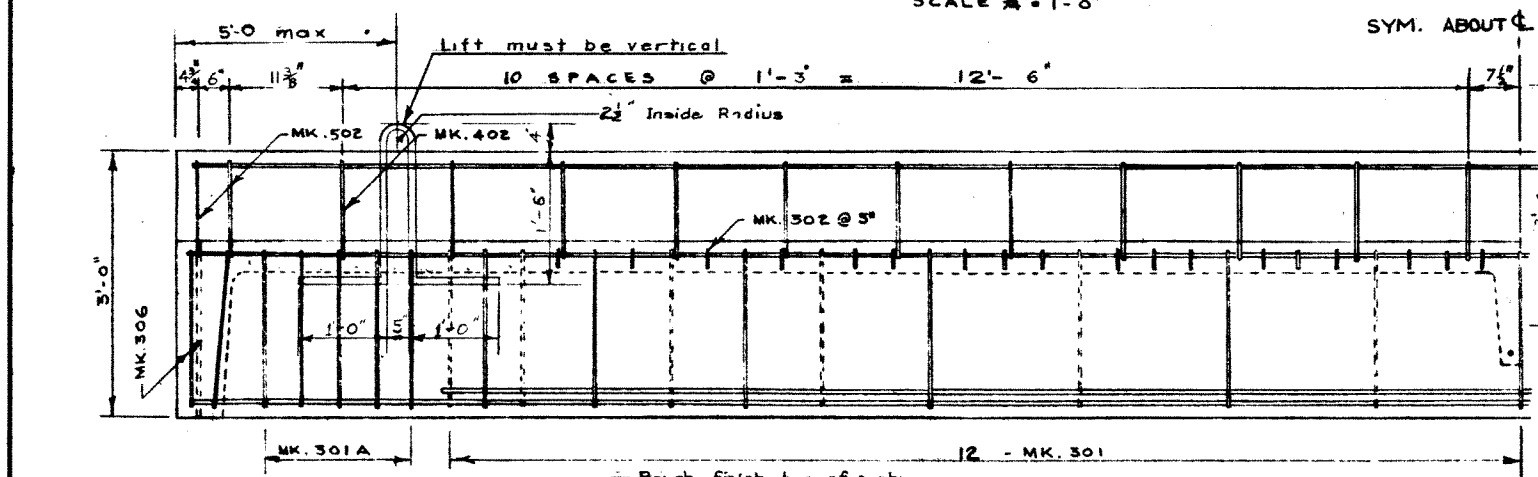
4 bars, 9" long, both sides of anchor bolts, welded.

To be hot dipped galvanized after assembly

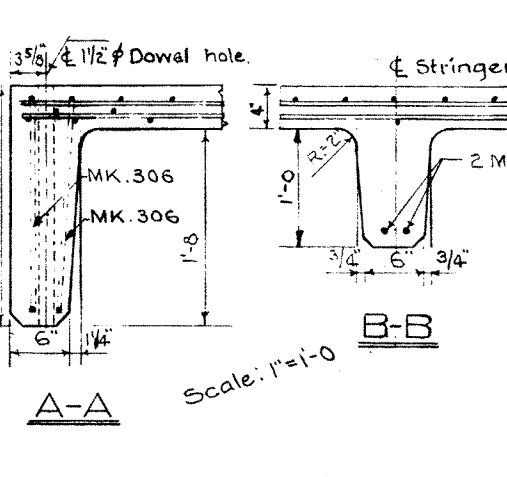
ANCHOR BOLT DETAIL
Scale: 1" = 1'-0"

For number of assemblies and positions see accompanying drawings.

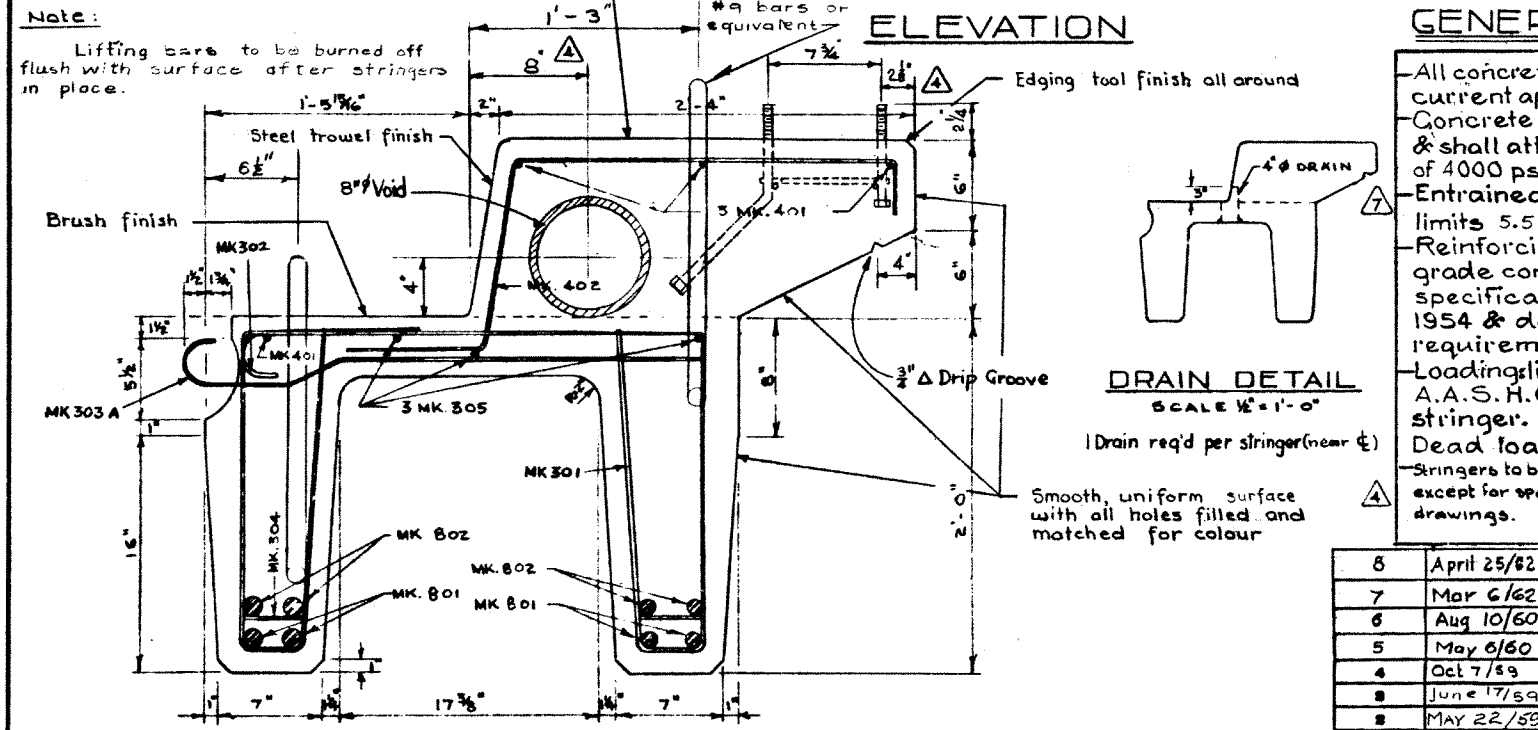
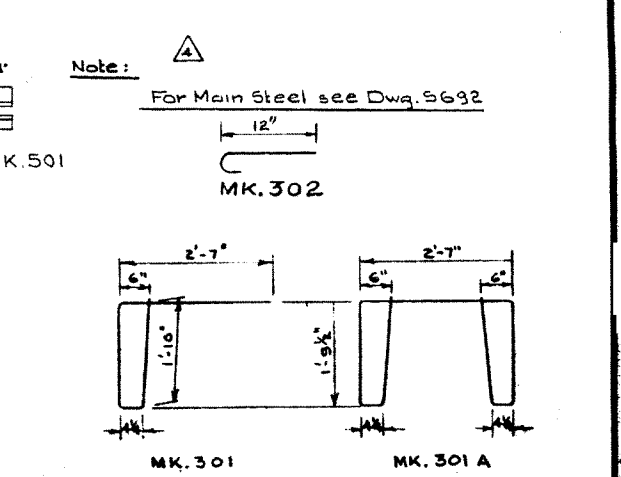
STEEL SCHEDULE (CURB STRINGER)						
MARK	SIZE	NO. REQD.	CUT LENGTH	SKETCH	WEIGHT	REMARKS
301	#3	23	6'-7"		57	
301A	#3	10	10'-7"		40	
302	#3	36	1'-4"		18	
303A	#3	49	3'-4 1/2"		62	
304	#3	16	5"	STR.	2	
305	#3	3	29'-8 1/2"	DO.	33	
306	#3	4	9'-5"		14	
401	#4	4	29'-8 1/2"	STR.	79	
402	#4	22	4'-2"		61	
501	#5	2	2'-7"	STR.	5	DIAPHRAGM
502	#5	4	4'-2"		17	
801	#8	4	29'-8 1/2"	STR.	317	
802	#8	4	22'-0"	DO.	235	
TOTAL					919	



ELEVATION
SCALE 1/2" = 1'-0"



Scale: 1" = 1'-0"

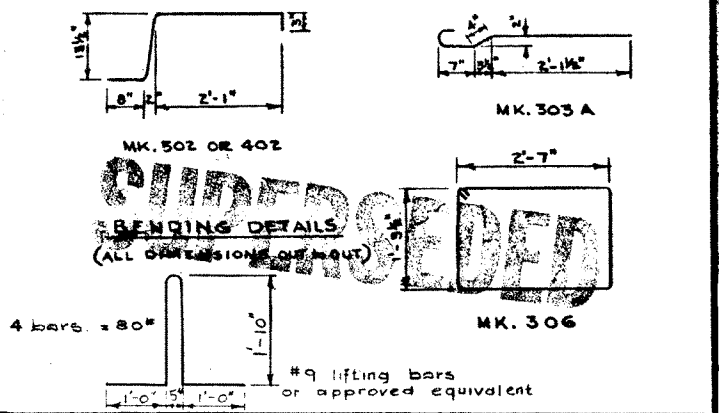


CROSS SECTION
SCALE 1 1/2" = 1'-0"

GENERAL NOTES

All concrete materials shall conform to the current applicable A.S.T.M. specifications. Concrete shall be of standard aggregate & shall attain a min. compressive strength of 4000 psi. at 28 days. Entrained air shall fall within the limits 5.5% ± 1.0%. Reinforcing steel shall be intermediate grade conforming to the C.S.A. specifications G 30.1-1954 or G 30.2-1954 & deformed to conform to the requirements of G 30.6-1954. Loading live load H20-S16 of the A.A.S.H.O. 3/5 wheel load to each stringer. Dead load 25 psf. wearing surface. Stringers to be cast according to details on this dwg. except for special alterations shown on accompanying drawings.

NO.	DATE	DESCRIPTION	BY
8	April 25/62	Changed to one dowel hole each end.	B.W.S.
7	Mar 6/62	Entrained air & Anchor bolts.	W.J.H.
6	Aug 10/60	Length	I.L.W.
5	May 6/60	Reinforcement details; Length	I.L.W.
4	Oct 7/59	Notes added, anchor bolts, void	R.E.
3	June 17/59	All lift bars, +000 psi conc.	F.M.
2	May 22/59	Lifting bars Added	R.L.C.
1	APRIL 8/59	TRACED BY	D.G.L.



PRECAST CONCRETE CURB STRINGER TYPE E.K. 30 FT. LOADING H20 S16

GOVERNMENT OF THE PROVINCE OF ALBERTA
DEPARTMENT OF HIGHWAYS
BRIDGE BRANCH, EDMONTON

FILE NO. _____ HWY. NO. _____ DWG. NO. 5693
LOCATION _____ SCALE _____ SHEET _____ OF _____

SUPERSEDED BY 5897.