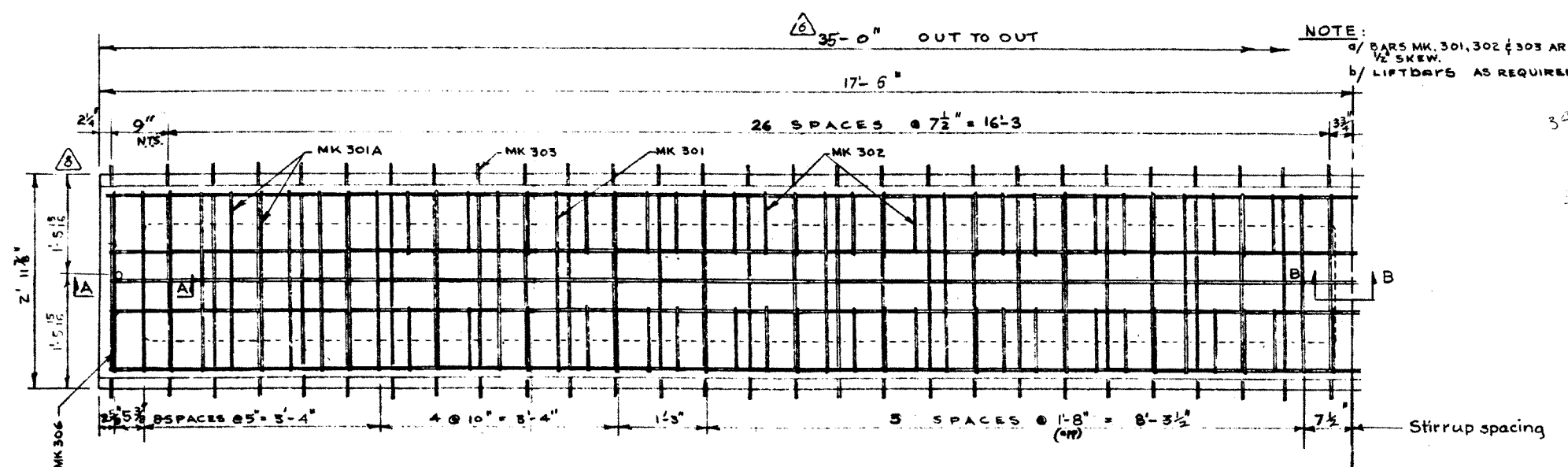
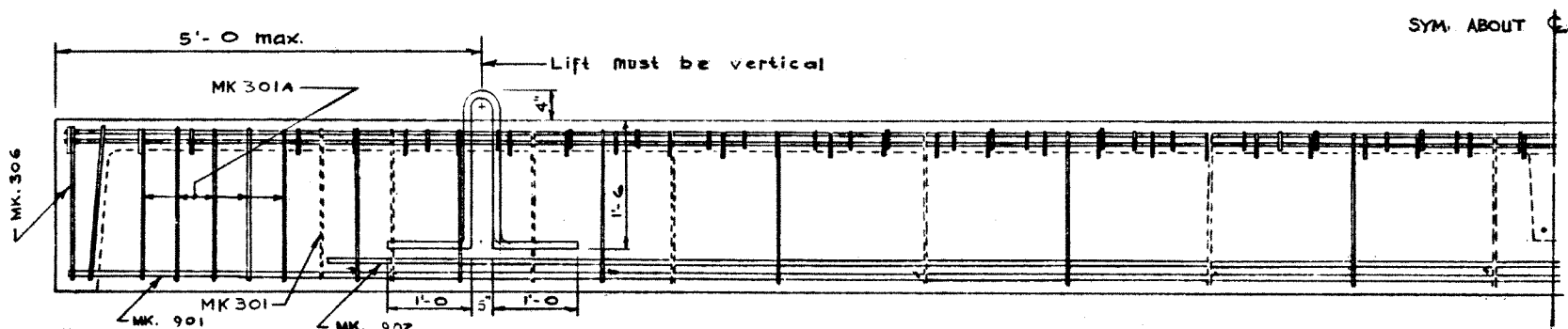
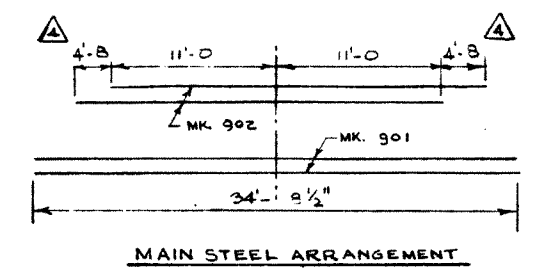


STEEL SCHEDULE (INTERIOR STRINGER)

MARK	NR REQD	SIZE	CUT LENGTH	SKETCH	WEIGHT	REMARKS
301	26	3	6'-7"		64	
302	88	3	1'-4"		14	
303	56	3	4'-1"		86	
304	20	3	5"	STR.	3	
305	3	3	34'-8 1/2"	STR.	39	
306	4	3	9'-3"		14	END BULKHEADS
301A	10	3	10'-7"		40	
401	2	4	34'-8 1/2"	STR.	46	
501	2	5	2'-7"	DO.	5	DIAPHRAGM
901	4	9	34'-8 1/2"	DO.	472	
902	4	9	26'-8"	DO.	363	
			TOTAL		1176	

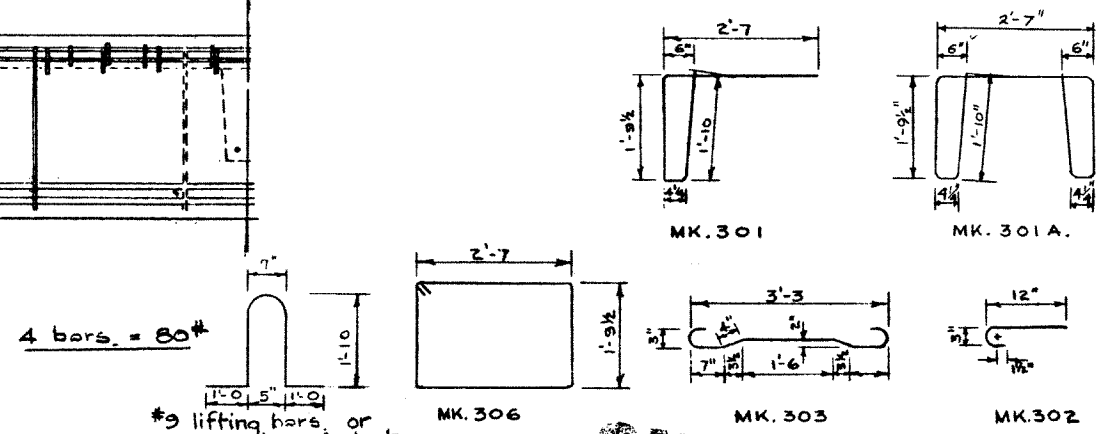


PLAN VIEW
SCALE 3/4" = 1'-0"

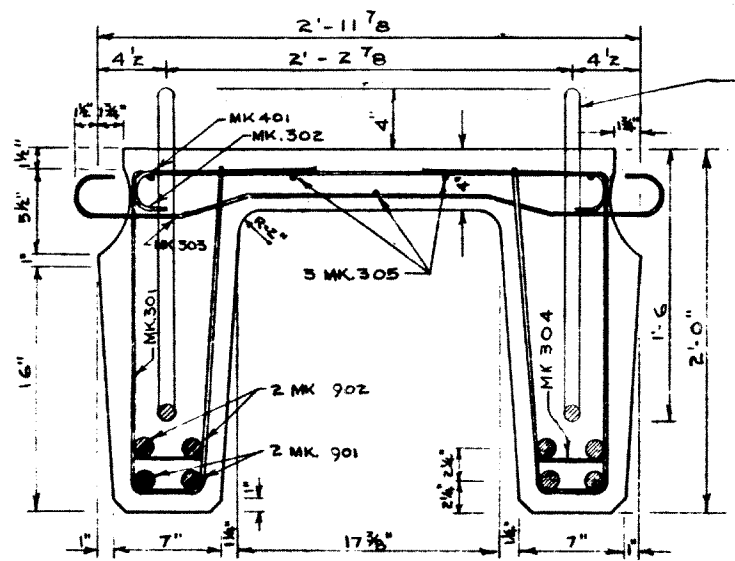


ELEVATION

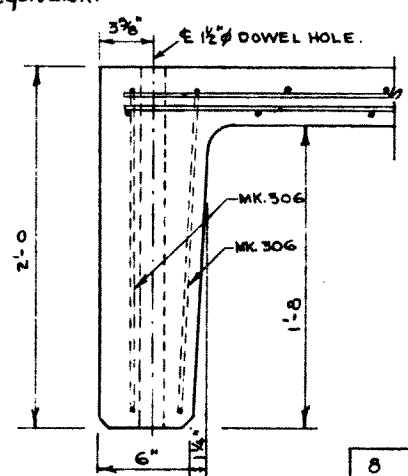
NOTE
Lifting bars to be burned flush with surface after stringers are in place



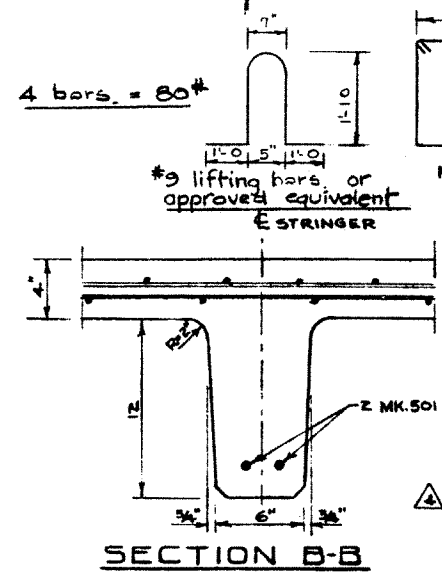
BAR BENDING DETAILS
(ALL DIMENSIONS ARE AS SHOWN)



CROSS SECTION
SCALE 1 1/2" = 1'-0"



SECTION A-A



SECTION B-B

GENERAL NOTES

- All concrete materials shall conform to the current applicable A.S.T.M. specifications. - Concrete shall be of standard aggregate & shall attain a min. compressive strength of 4000 psi. at 28 days. - Entrained air shall fall within the limits 5.5% ± 1.0%
- Reinforcing steel shall be intermediate grade conforming to the C.S.A. specifications G 30.1-1954 or G 30.2-1954 & deformed to conform to the requirements of G 30.6-1954.
- Loading: live load H 20-S16 of the A.A.S.H.O. 3/5 wheel load to each stringer. Dead load 25 psf. wearing surface.
- Stringers to be cast according to details on this drawing except for special alterations shown on accompanying drawings.

PRECAST CONCRETE STRINGER
TYPE E 35 FT.
LOADING H20-S16

GOVERNMENT OF THE PROVINCE OF ALBERTA
DEPARTMENT OF HIGHWAYS
BRIDGE BRANCH, EDMONTON

NO.	DATE	DESCRIPTION	BY
8	April 25/62	Changed to one dowel hole each end	B.W.S.
7	Mar 6/62	Entrained air	W.J.H.
6	Aug 10/60	Length	I.L.W.
5	May 9/60	Reinforcement details; Length.	I.L.W.
4	Oct 7/59	Note added, dim. 4'-8 was 3'-3 1/2	R.E.
3	June 17/59	Alt. lift bars, 3000 psi. conc. length 902	HHH
2	May 21/59	Added lifting bars	F.M.
1	APRIL 6/59	TRACED BY	D.G.L.

FILE NO. _____ HWY. NO. _____ DWG. NO. **5694**
LOCATION _____ SCALE _____ SHEET OF _____
STREAM _____