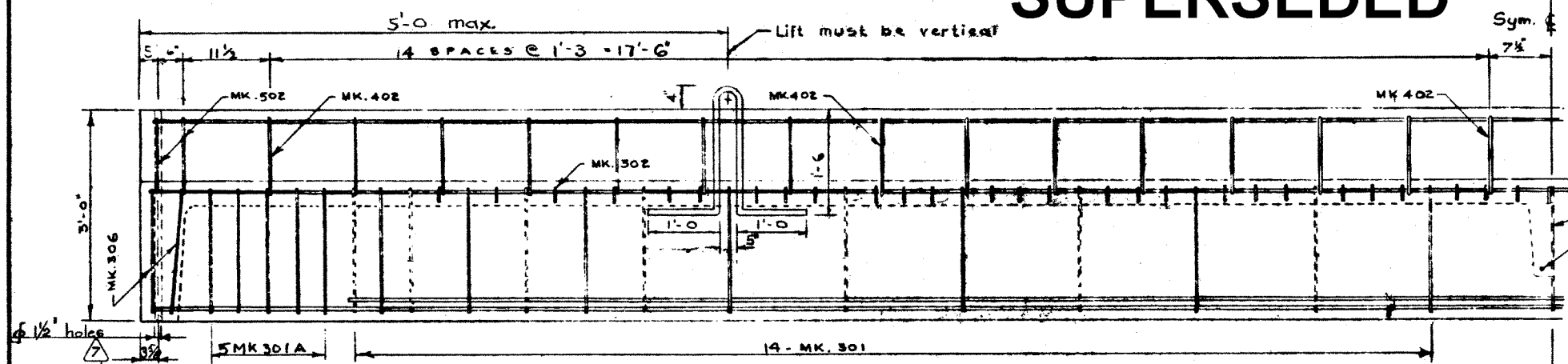


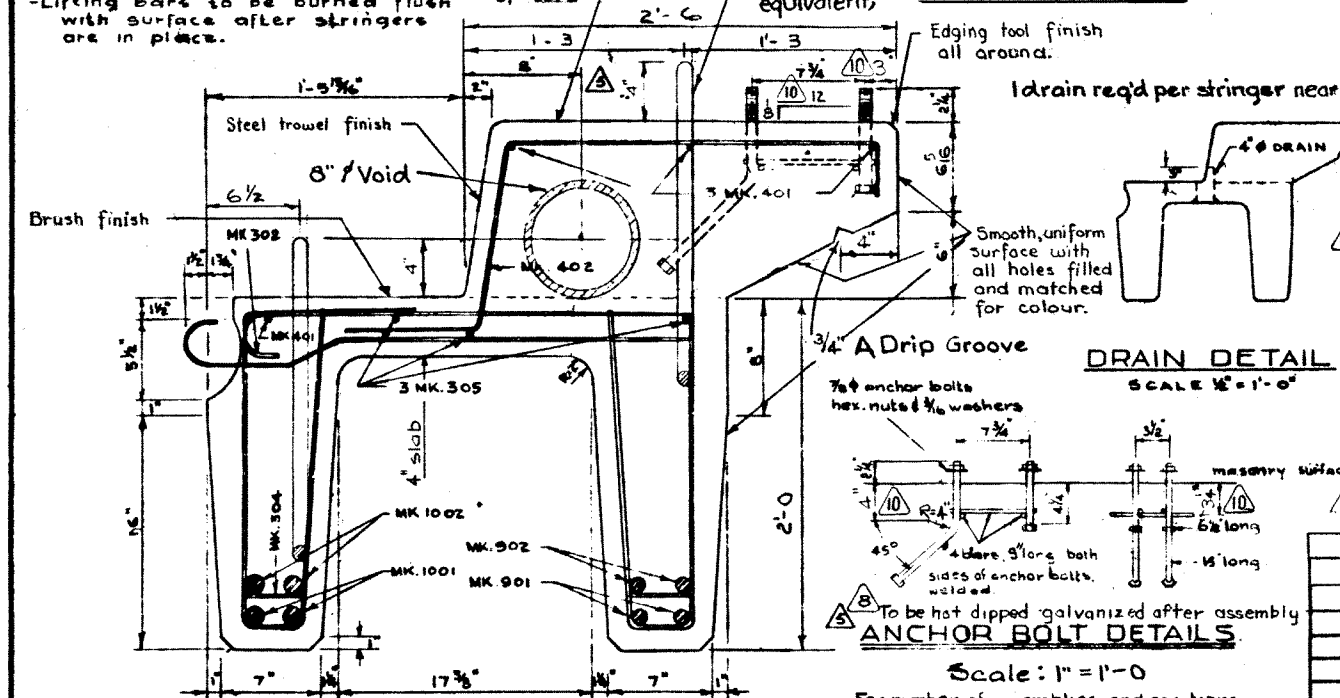
PLAN VIEW  
SCALE 3/4" = 1'-0"

**SUPERSEDED**



ELEVATION

Note:  
-Lifting bars to be burned flush with surface after stringers are in place.



CROSS SECTION  
SCALE 1 1/2" = 1'-0"

ANCHOR BOLT DETAILS  
Scale: 1" = 1'-0"

For number of assemblies and positions see accompanying drawings.

10	Aug. 14/62	Curb top slope & Anchor bolts.	D.H.Q.
8	Mar 6/61	Entrained air & Anchor bolts	W.J.H.

**GENERAL NOTES**

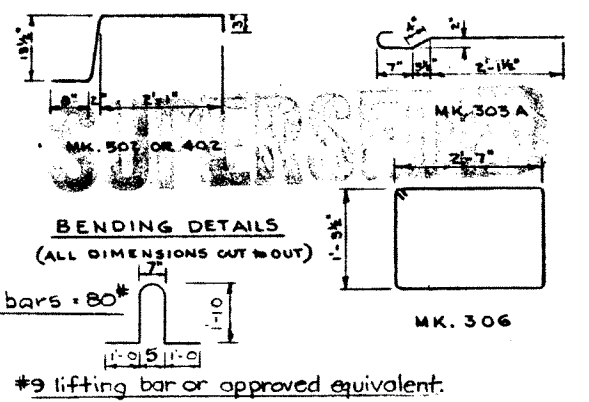
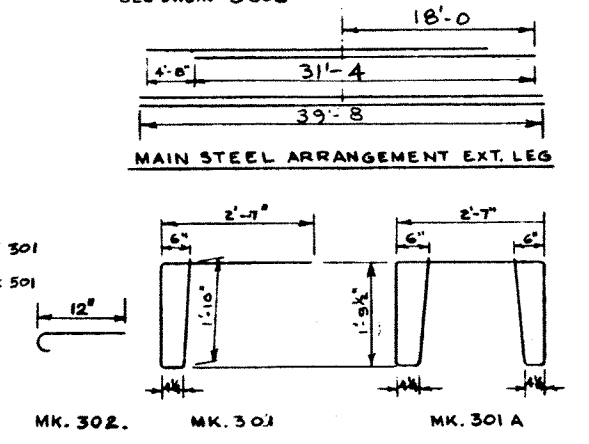
- All concrete materials shall conform to the current applicable A.S.T.M. specifications.
- Concrete shall be of standard aggregate & shall attain a min. compressive strength of 4000 psi. at 28 days.
- Entrained air shall fall within the limits 5.5% ± 1.0%
- Reinforcing steel shall be intermediate grade conforming to the C.S.A. specification G 30.1-1954 or G 30.2-1954 & deformed to conform to the requirements of G 30.6-1954.
- Loading live load H20-516 of the A.A.S.H.O. 3/5 wheel load to each stringer.
- Dead load 25 psf. wearing surface.
- Stringers to be cast according to details on this drawing except for special alterations shown on accompanying drawings.

NO.	DATE	DESCRIPTION	BY
9	April 25/62	Changed to one dowel hole each end	B.H.S.
7	Nov. 9/60	Dowel holes	Ph.D.
6	May 10/60	Reinforcement details;	I.L.W.
5	Oct 8/59	Note added anchor bolts, void	RE
4	July 29/59	1002 from 30-10 to 29-8	HHH
3	June 17/59	Alt. lift bars length 1001, 4000 psi. conc.	HHH
2	May 20/59	Added lifting bars	F.M.
1	APRIL 8/59	TRACED BY	D.G.L.

**STEEL SCHEDULE (CURB STRINGER)**

MARK	SIZE	N <sup>o</sup> RECD	CUT LENGTH	SKETCH	WEIGHT	REMARKS
301	#3	29	6'-7"		72	
301A	#3	10	10'-7"		40	
302	#3	54	1'-4"		27	
303A	#3	65	3'-5"		84	
304	#3	22	5"	STR.	3	
305	#3	3	39'-8"	DO.	45	
306	#3	4	9'-5"		14	
401	#4	4	39'-8"	STR.	106	
402	#4	30	4'-2"		84	
501	#5	2	2'-7"	STR.	5	
502	#5	4	4'-2"		17	
901	#9	2	39'-8"	STR.	270	
902	#9	2	31'-4"	DO.	213	
1001	#10	2	39'-8"	DO.	341	
1002	#10	2	29'-8"	DO.	255	
					TOTAL	1576

NOTE:  
FOR MAIN STEEL INTERIOR LEG SEE DWG. NO. S 696



**PRECAST CONCRETE CURB STRINGER TYPE E.K. 40 FT. LOADING H20 516**

GOVERNMENT OF THE PROVINCE OF ALBERTA  
DEPARTMENT OF HIGHWAYS  
BRIDGE BRANCH, EDMONTON

FILE NO. \_\_\_\_\_ HWY. NO. \_\_\_\_\_ DWG. NO. 5697  
LOCATION \_\_\_\_\_ SCALE \_\_\_\_\_  
STREAM \_\_\_\_\_ SHEET \_\_\_\_\_ OF \_\_\_\_\_

SUPERSEDED BY S-811