

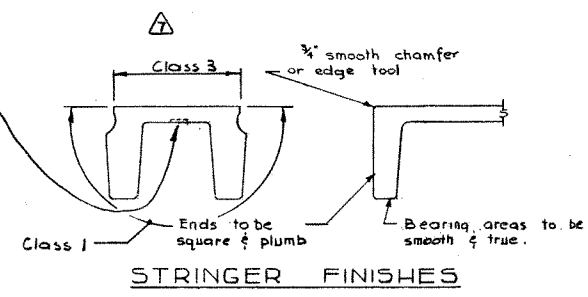
Fabricator's name, year of manufacture (serial no. of unit to be cast into bottom of slab in 2" letters.

GENERAL NOTES

DESIGN
 Live Load - A.A.S.H.O. H20 - S16 modified as shown.
 Dead Load - includes allowance for 2" wearing surface.
 Concrete - to be standard weight aggregates with maximum aggregate size of 3/4 inch. Minimum 28 day compressive strength to be 5000 p.s.i.

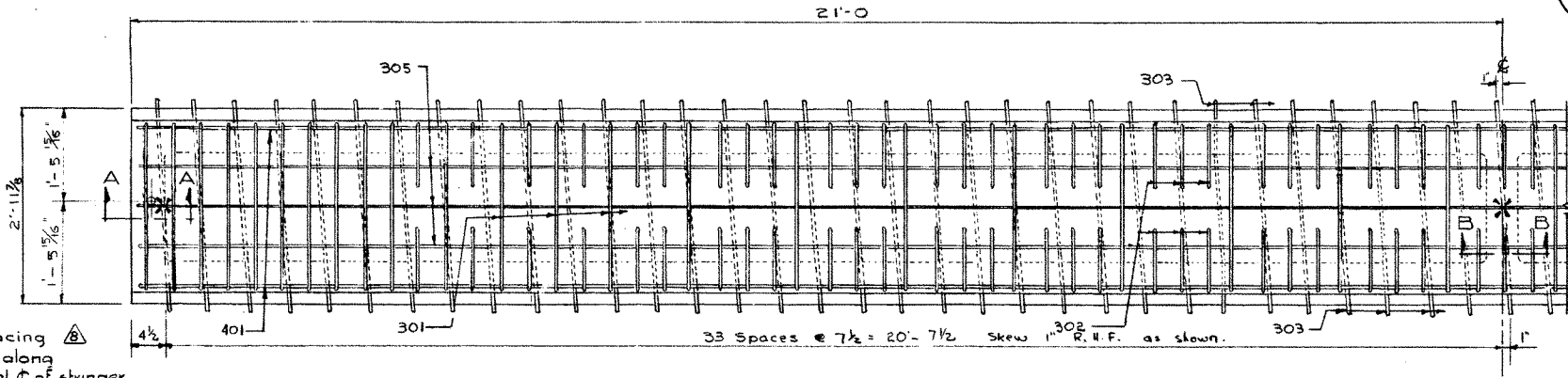
CONSTRUCTION
 Entrained air shall be not less than 5%
 Diameters of all bends shall conform to the recommended minimum and all hooks, unless otherwise noted shall conform to the recommended sizes detailed in the A.C.I. Manual of Standard Practice for Detailing Reinforced Concrete Structures.
 Each stringer shall have a cast camber of 3/4 inch.
 All acute angles on skewed stringer shall have 1/2 inch chamfer.
 Concrete shall attain at least 30% of the specified 28 day compressive strength before the units are stripped from the forms or lifted.
 Lifting force at each hook is to be vertical at all times.

Units are to conform to the requirements of the Alberta Government Specifications for the Manufacture of Precast Concrete Bridge Units.

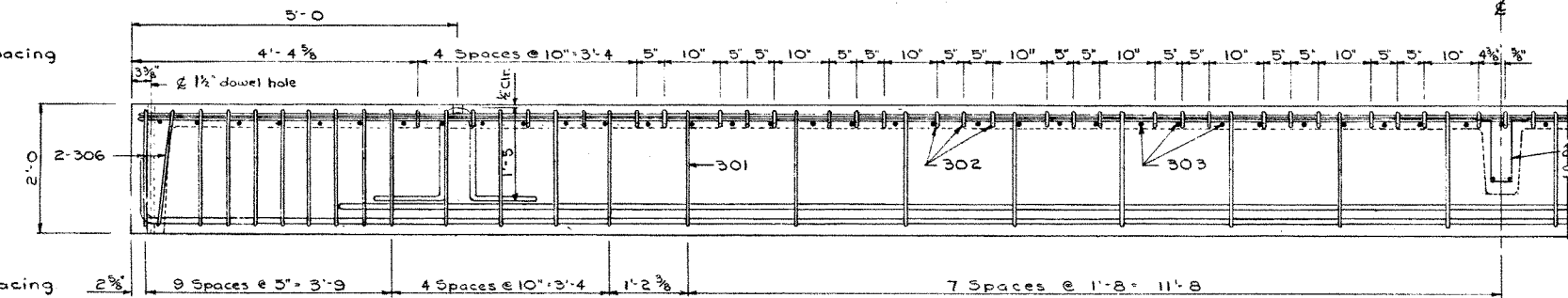


STEEL SCHEDULE (Interior Stringer)

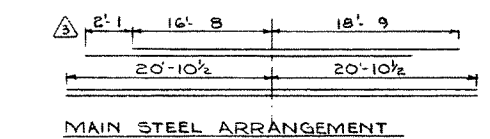
Mark	Size	N ^o Req'd	Length	Sketch	Weight	Remarks
301	#3	40	10'-7"		159	
302	#3	114	1'-3"		54	
303	#3	67	4'-2"		105	
304	#3	60	6'	Str.	11	
305	#3	3	41'-9"	do	47	
306	#3	4	9'-5"		14	
401	#4	2	41'-9"	Str.	56	
501	#5	2	2'-7"	do	5	
1001	#10	4	35'-5"	do	609	
1002	#10	4	43'-1"		742	
307	#3	2	3'-0"		2	
Total					1804 Lbs.	



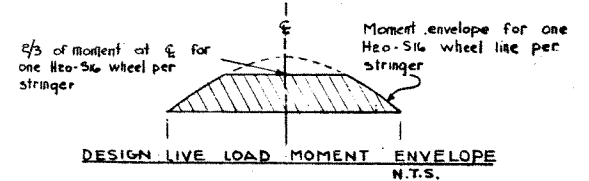
PLAN VIEW



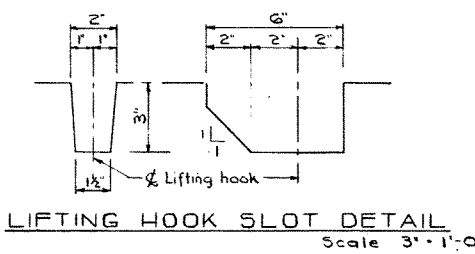
ELEVATION



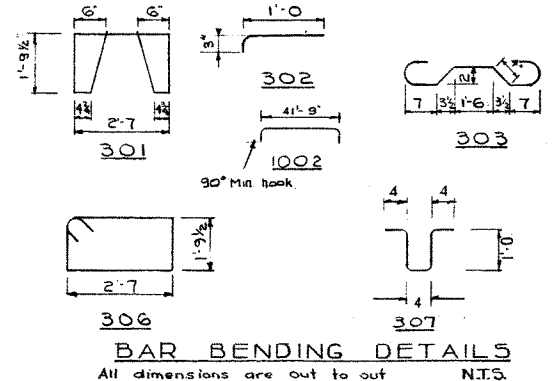
MAIN STEEL ARRANGEMENT



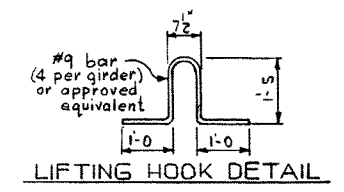
DESIGN LIVE LOAD MOMENT ENVELOPE



LIFTING HOOK SLOT DETAIL

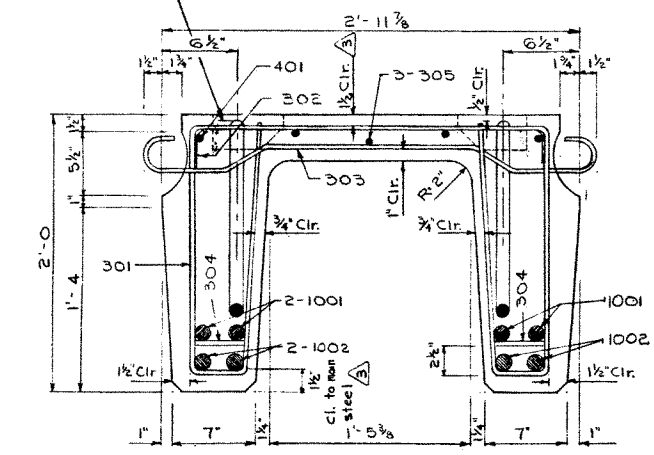


BAR BENDING DETAILS

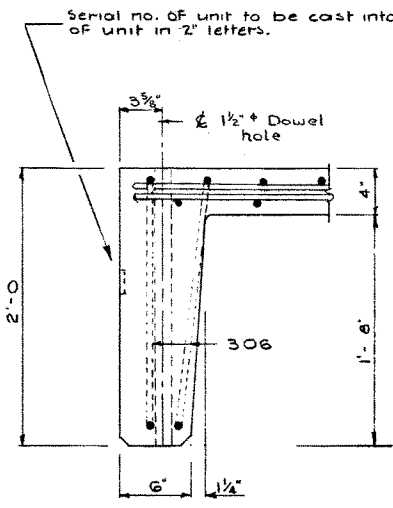


LIFTING HOOK DETAIL

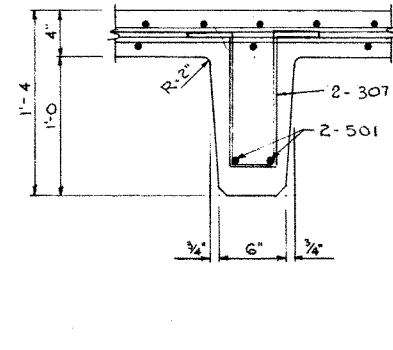
NOTE: Lifting hook not to extend above this line.



STRINGER SECTION



SECTION A-A



SECTION B-B

DESIGNED BY: _____ DATE: _____
 DETAILED BY: _____ DATE: _____
 CHECKED BY: _____ DATE: _____

SUPERSEDED

PRECAST CONCRETE INTERIOR STRINGER TYPE E. 42 FT. LOADING H20 S16

REVISIONS

NO.	DATE	DESCRIPTION	BY
9	March 19/64	Entrained air	R.Ch
8	Oct 11/63	303 Bar	R.E.E
7	Sept 18/63	Notes & Finishes changed	B.St.
6	Sept 12/63	Notes revised	B.St.
5	May 28/63	Notes added	B.St.
4	April 1/63	General notes	R.E.
3	Sept 25/62	1001 Bar, General notes	R.E.E
2	Mar. 6/62	Entrained Air	W.J.H.
1	Sept. 19/60	Re-drawn	R.E.B.

GOVERNMENT OF THE PROVINCE OF ALBERTA
 DEPARTMENT OF HIGHWAYS
 BRIDGE BRANCH, EDMONTON

FILE NO. _____ HWY. NO. _____ DWG. NO. 5698
 LOCATION _____ SCALE _____ SHEET _____ OF _____