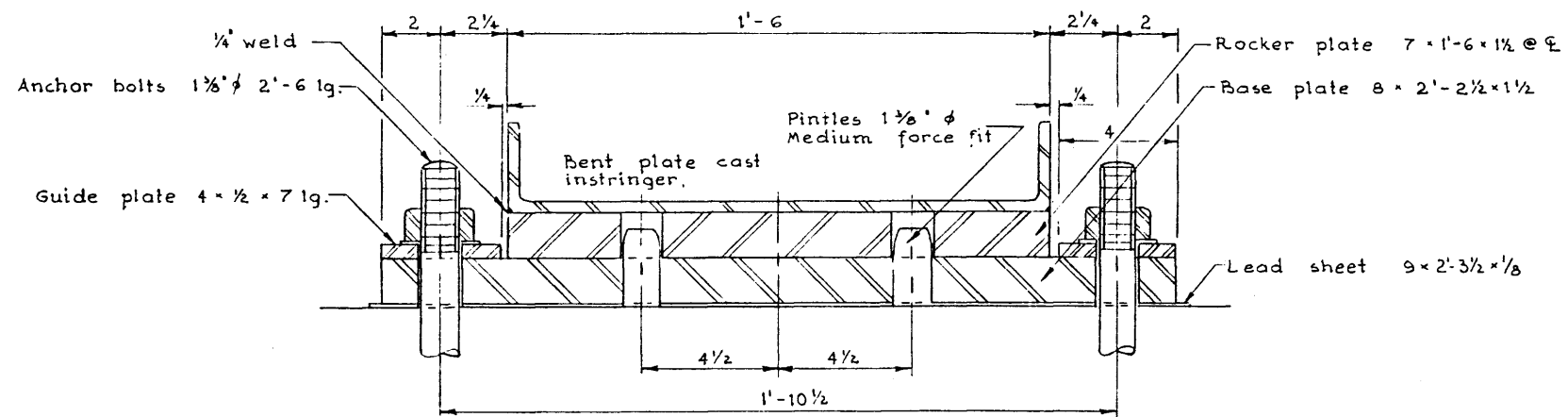
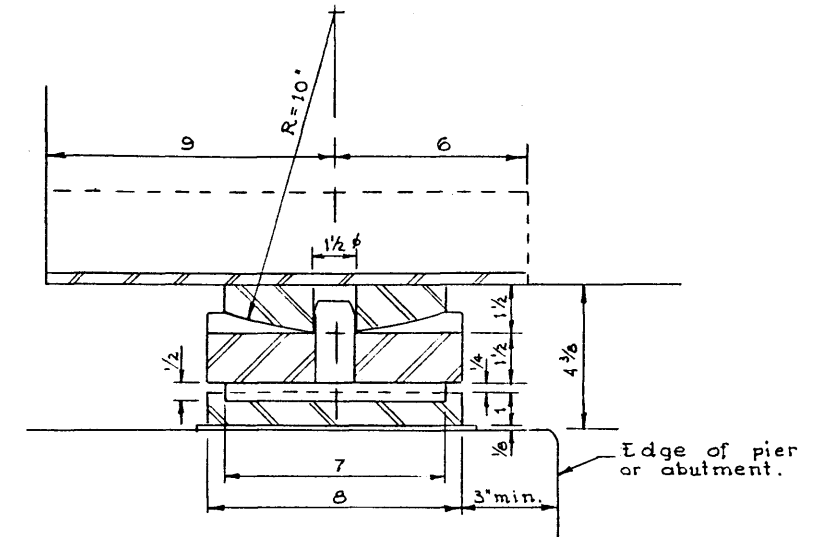
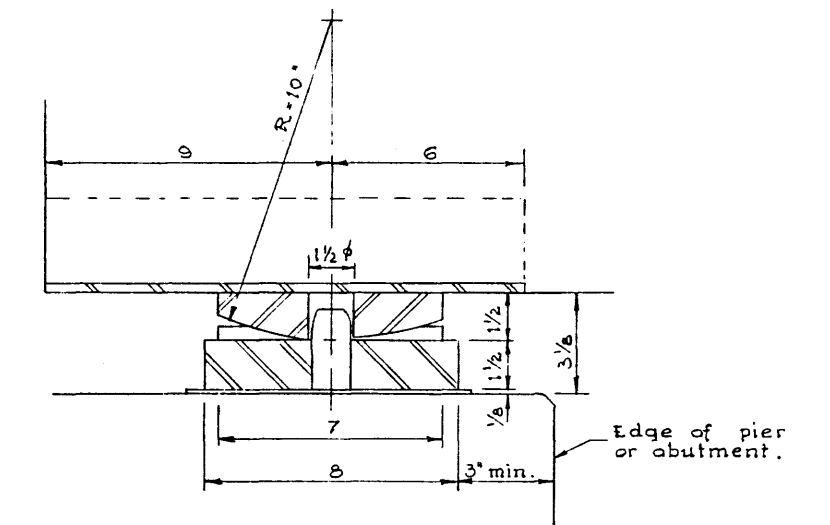


EXPANSION BEARING



FIXED BEARING



Dwn. B.W.S. Date: 29 May 1959.

STANDARD BEARING 'F'
 TYPE O-60 STRINGER
 Scale = 3" = 1'-0"
 S-701

AT & U - RECORDS CENTRE
 F100022