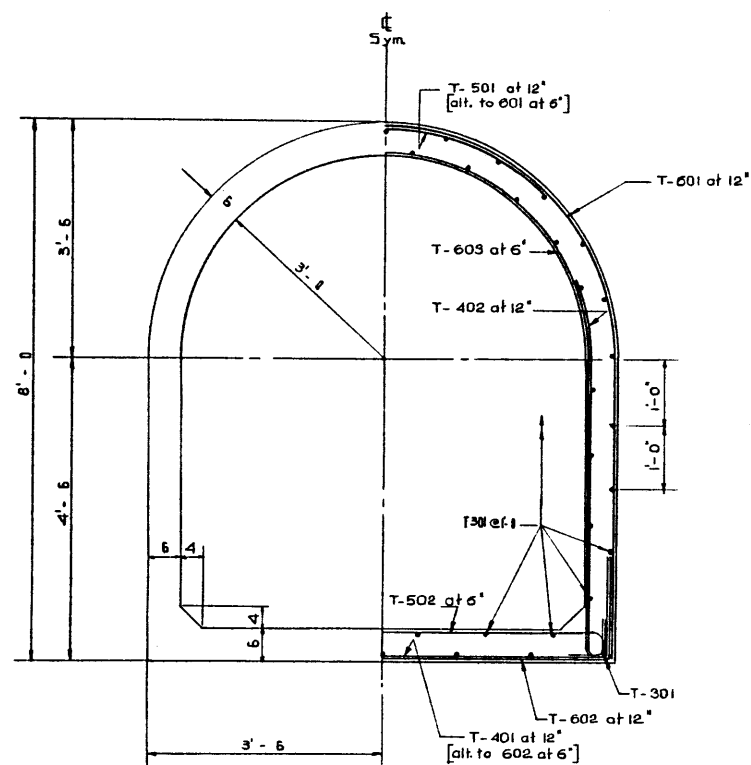
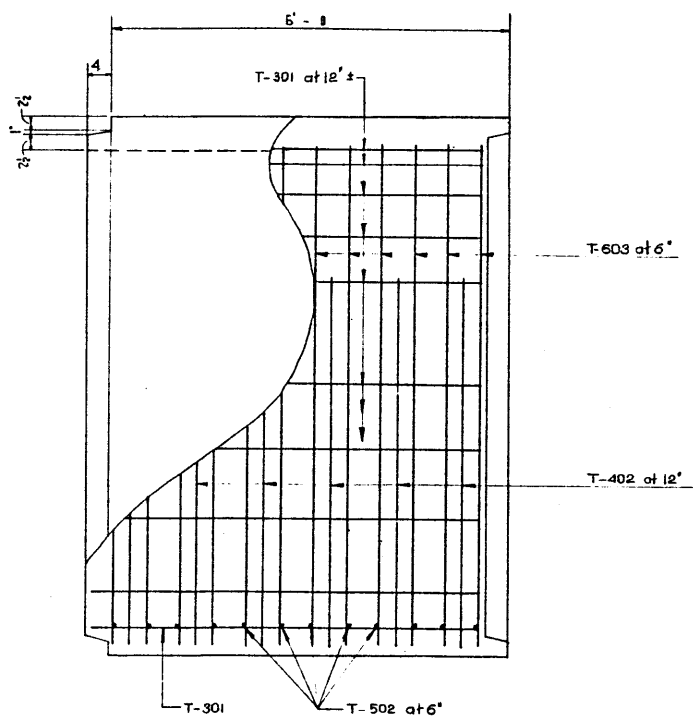


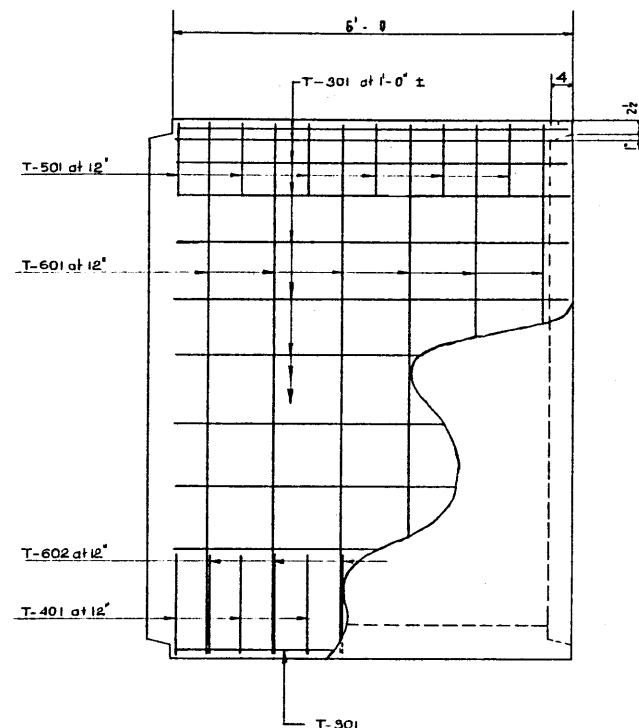
NOTE
Clear cover on all bars
except T301 to be 1" exact



TRANSVERSE SECTION



SIDE ELEVATION



Reinforcing shown is outside face of wall

TYPICAL INTERIOR SECTION

BAR LIST

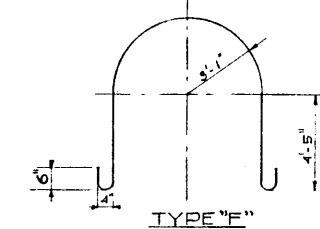
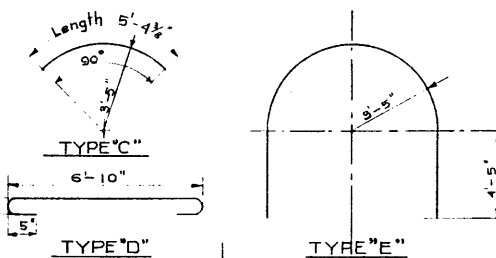
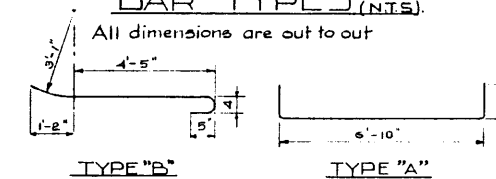
ONE INTERIOR SECTION

Mark	Size	No	Type	Length	Weight
T301	3	50	Str.	5'-10"	110 #
T-401	4	6	A	9'-10"	35 #
T-402	4	6	B	6'-4"	51 #
T501	5	6	C	5'-4"	33 #
T502	5	12	D	8'-4"	104 #
T601	6	6	E	19'-6"	176 #
T602	6	6	A	9'-10"	89 #
T603	6	12	F	20'-2"	345 #

Total weight 947 #

BAR TYPES (N.T.S.)

All dimensions are out to out



QUANTITY ESTIMATE

Concrete (4000 psi) 2.82 cu yd
Reinforcing Steel 947 lb.

DESIGNED BY: C.L. Kalkbrenner
DATE: 11-18-59
CHECKED BY: L. Kohnen
DATE: 11-18-59

NO.	DATE	DESCRIPTION	BY
1	Feb. 1961	Reinforcing	H.H.H.

6x7 PRECAST CONCRETE
CATTLEPASS
LIGHTWEIGHT CONCRETE

GOVERNMENT OF THE PROVINCE OF ALBERTA
DEPARTMENT OF HIGHWAYS
BRIDGE BRANCH, EDMONTON

FILE NO. _____ HWY. NO. _____
LOCATION _____ SCALE 3/4" = 1'-0"
STREAM _____ SHEET _____ OF _____

DWG. NO. 5705