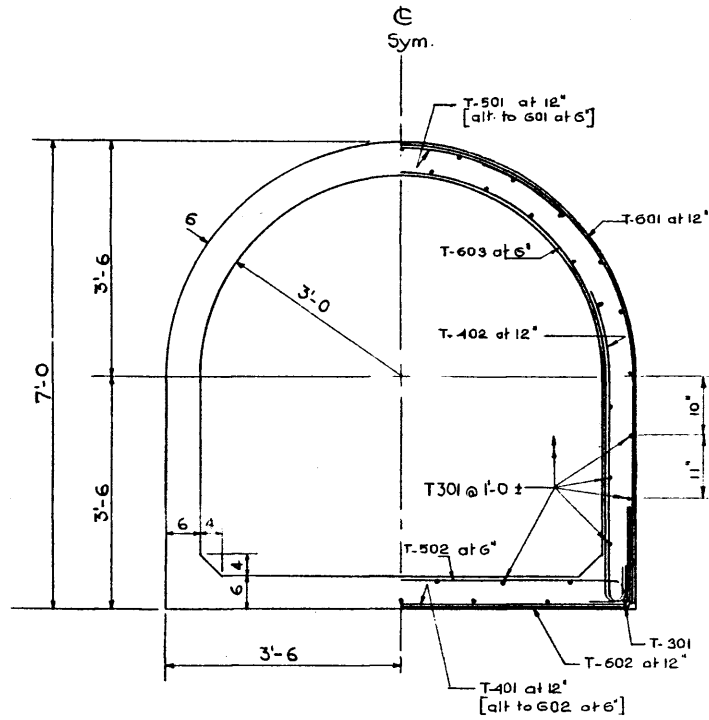


BAR LIST

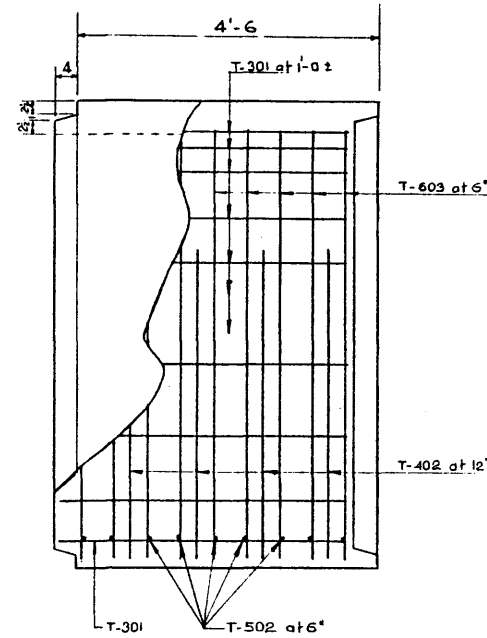
ONE INTERIOR SECTION

Mark	Size	No	Type	Length	Weight
T301	3	46	Str.	4'-4"	75 lb.
T401	4	4	A	9'-10"	26 #
T402	4	8	B	5'-4"	29 #
T501	5	4	C	5'-4"	22 #
T502	5	9	D	8'-4"	78 #
T601	6	5	E	17'-6"	131 #
T602	6	5	A	9'-10"	74 #
T603	6	9	F	18'-2"	246 #
Total Weight					681 lb.

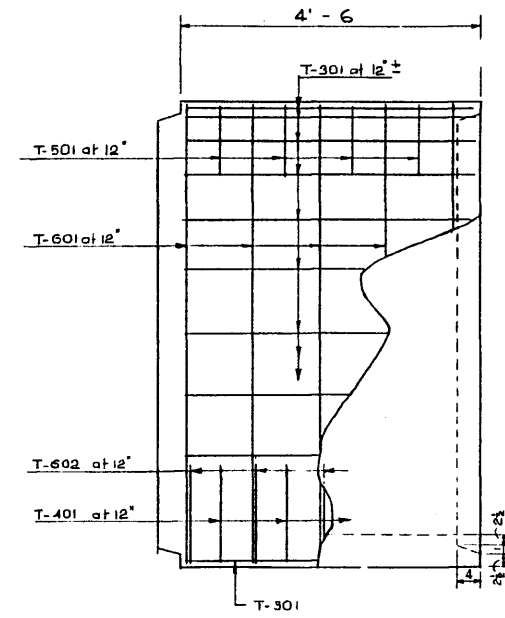
NOTE
Clear cover on all bars
except T301 to be 1" exact.



TRANSVERSE SECTION



Reinforcing shown is inside face of wall and floor



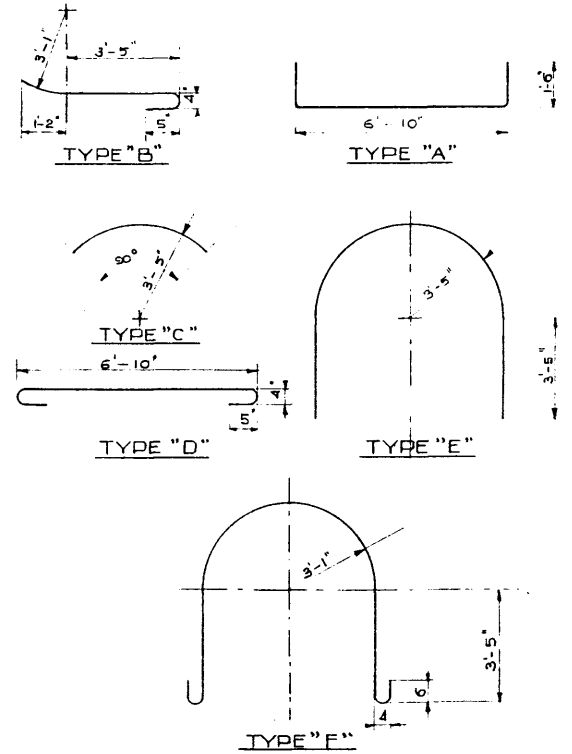
Reinforcing shown is outside face of wall and floor.

SIDE ELEVATION

TYPICAL INTERIOR SECTION

BAR TYPES (N.T.S)

All dimensions are out to out.



QUANTITY ESTIMATE
Concrete (4000 psi) - 2.12 cu.yd.
Reinforcing Steel - 681 lb.

NO.	DATE	DESCRIPTION	BY
1	Feb. 1961	Reinforcing	H.H.H.

6x6 PRECAST CONCRETE
CATTLEPASS

GOVERNMENT OF THE PROVINCE OF ALBERTA
DEPARTMENT OF HIGHWAYS
BRIDGE BRANCH, EDMONTON

FILE NO. _____ HWY. NO. _____ DWG. NO. 5-706
LOCATION _____ SCALE 3/4" = 1'-0" SHEET 1 OF 1
STREAM _____

DESIGNED BY: C.L.L. Kubel DATE: NOV. 1959
DETAILED BY: C.L.L. Kubel DATE: NOV. 1959
CHECKED BY: _____ DATE: _____

ALBERTA RECORDS CENTRE