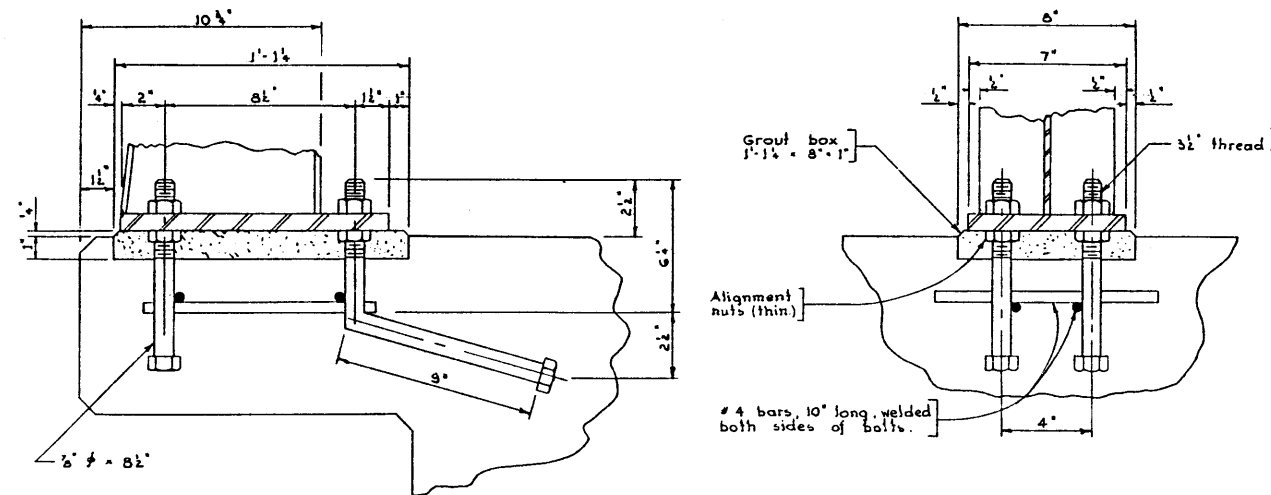
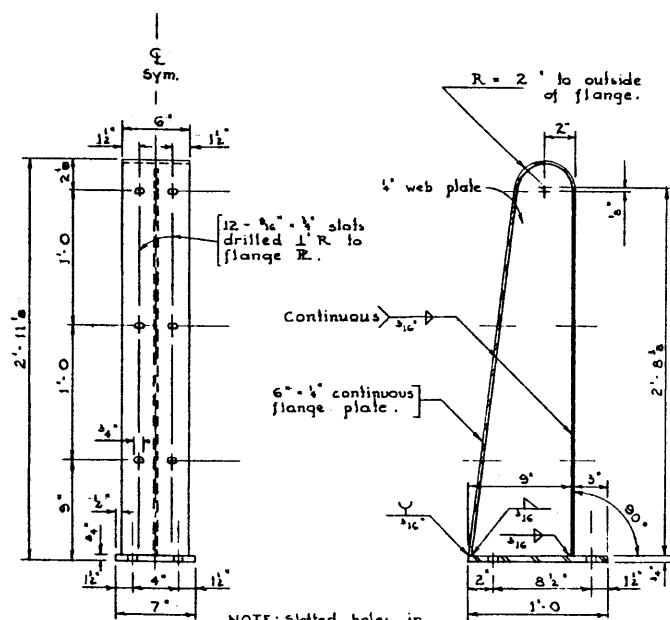


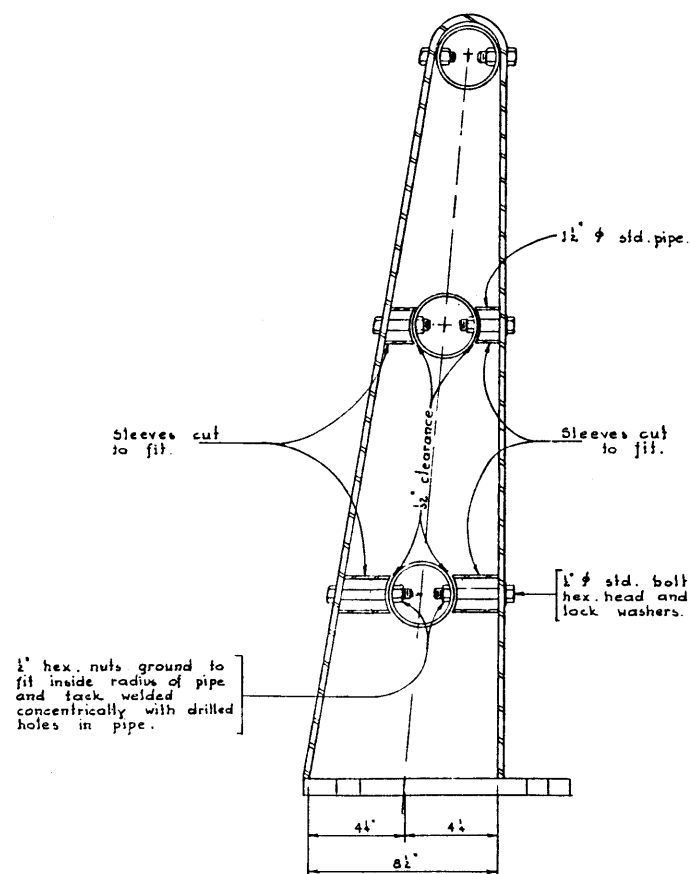
**ELEVATION**  
Scale: 1" = 1'-0



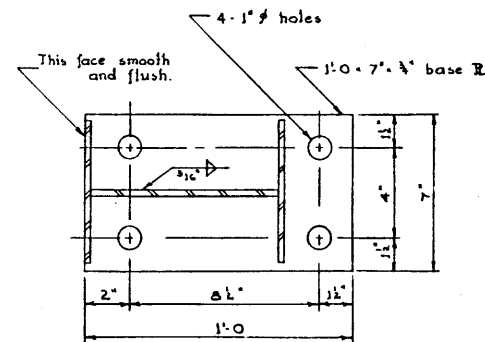
**POST ANCHOR BOLTS**  
Scale: 5" = 1'-0



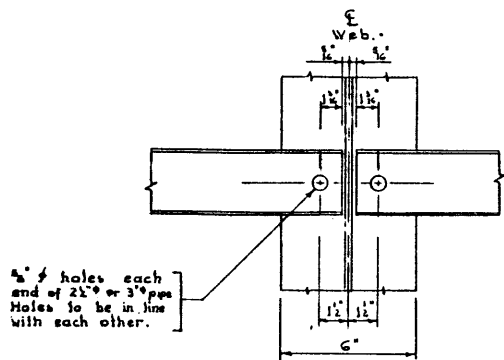
**POST DETAILS**  
Scale: 1 1/2" = 1'-0



**RAIL CONNECTION**  
Scale: 3" = 1'-0



**BASE R**  
Scale: 5" = 1'-0



**TYPICAL SECTION**

DESIGNED BY: H.H.H.  
DATE: April 1, 1950  
CHECKED BY: D.W.C.  
DATE: April 4, 1950

NO.	DATE	DESCRIPTION	BY
4			
3			
2			
1			

**3 PIPE UPRIGHT  
HIGHWAY TYPE  
RAILING**

**GOVERNMENT OF THE PROVINCE OF ALBERTA  
DEPARTMENT OF HIGHWAYS  
BRIDGE BRANCH, EDMONTON**

FILE NO.	HWY. NO.	DWG. NO.
LOCATION	SCALE	5712
STREAM	SHEET OF	

ALBERTA RECORDS CENTRE  
11000