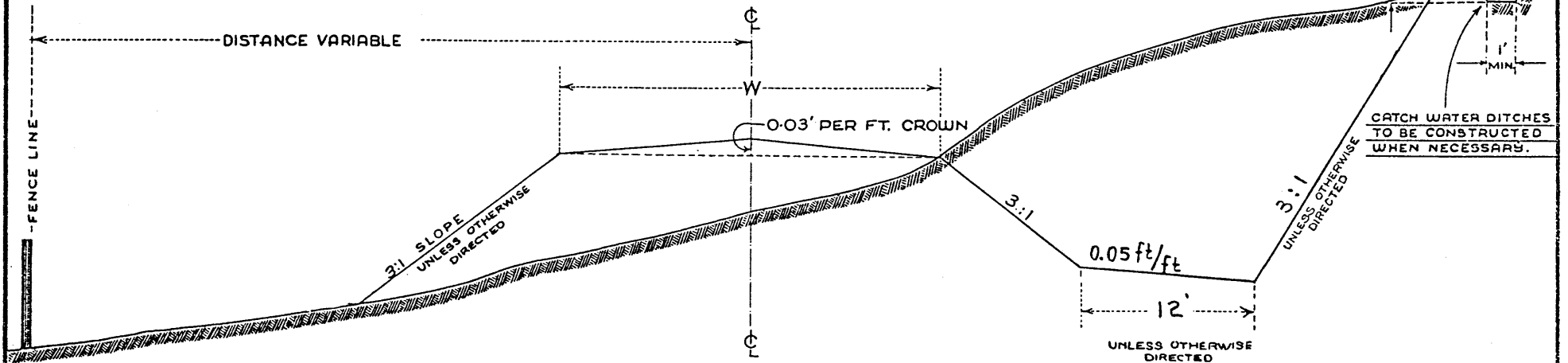


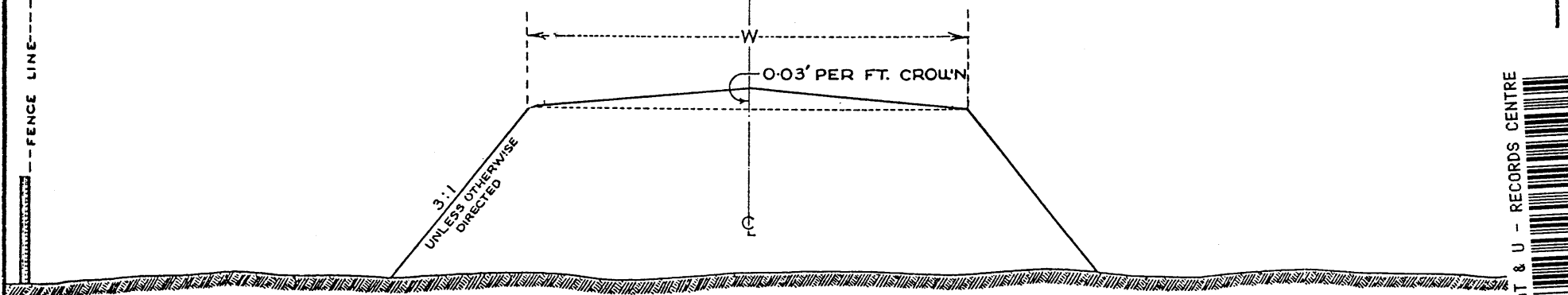
PROVINCE OF ALBERTA

DEPARTMENT OF HIGHWAYS

CROSS-SECTION OF SIDEHILL ON TANGENT



CROSS-SECTION OF EMBANKMENT OVER 7 FT.



● MINIMUM WIDTH OF DITCH IS 10 Ft.

S-714

APPROVED JUNE 20, 1960

N.C. McNamee
CHIEF BRIDGE ENGINEER

Revision : Ditch section - detailed F.V.M. - checked *Asu* July 5/68

DETAILED BY : S.G.W.
CHECKED BY : A.K.

S-714

AT & U - RECORDS CENTRE
F254563

S714