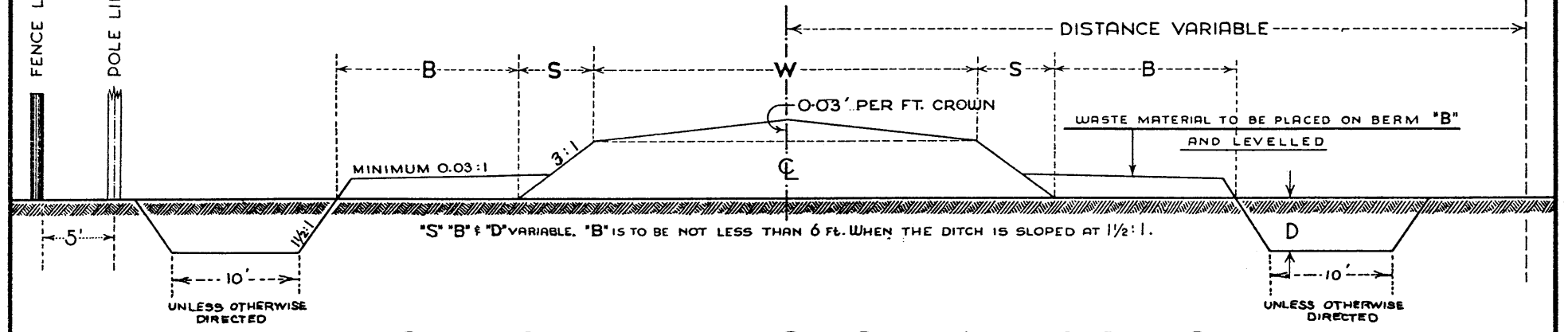
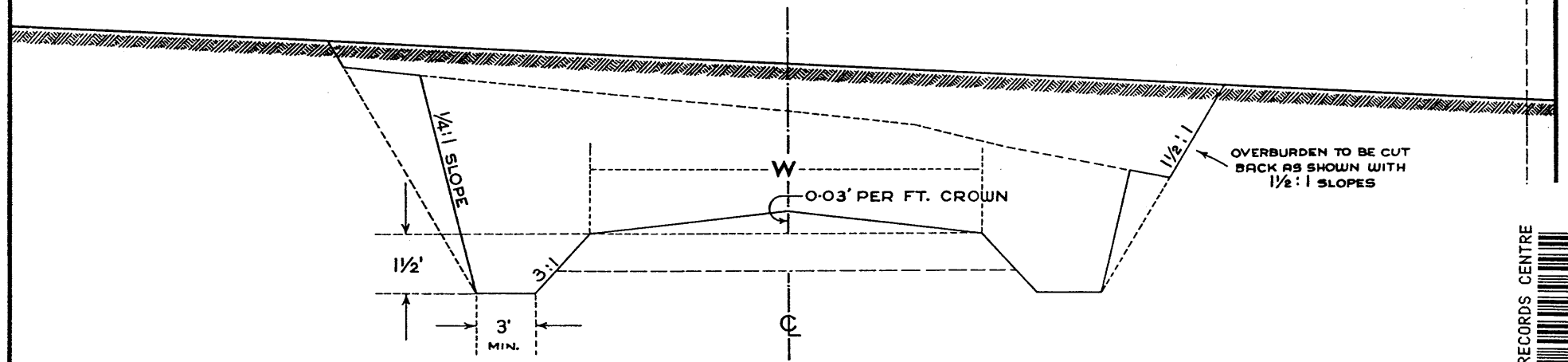


TYPICAL CROSS - SECTION THROUGH MUSKEG



TYPICAL CROSS - SECTION IN ROCK CUT



ROCK TO BE EXCAVATED BELOW GRADE AND BACKFILLED AS REQUIRED TO GRADE ELEVATION
SHALE ROCK IN CUTTINGS ON PRAIRIE WILL BE TAKEN OUT AS SHOWN FOR TYPICAL CROSS-SECTION ON TANGENT OR CURVE.

APPROVED JUNE 20, 1960

N. G. McCune
CHIEF BRIDGE ENGINEER

S-715

DETAILED BY : S.G.W.
CHECKED BY : A.K.

AT & U - RECORDS CENTRE
F254584

S-715

S715