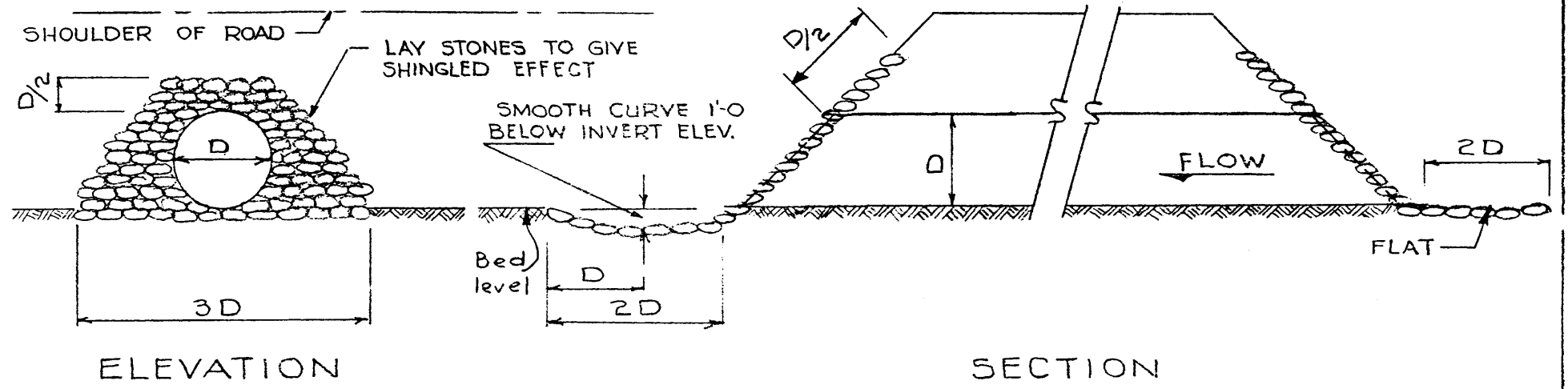


PROVINCE OF ALBERTA

DEPARTMENT OF HIGHWAYS



- Rocks and boulders shall be selected as flat in form as practicable and of a size greater than one half cubic foot. The stones shall be placed with their beds horizontal, the larger stones being used in the bottom courses and the smaller stones at the top. They shall be laid in close contact so as to break joints and in such manner that the weight of the stone is carried by the earth and not by the adjacent stones.

CULVERT RIP RAP - HANDLAID

S-719

DWG. N^oS-719

APPROVED, JUNE 20, 1960

W. G. MacLure
 CHIEF BRIDGE ENGINEER

Detailed by: S.G.W. Checked by: A.K.
 Revised by: A.K. July 7/60



5719