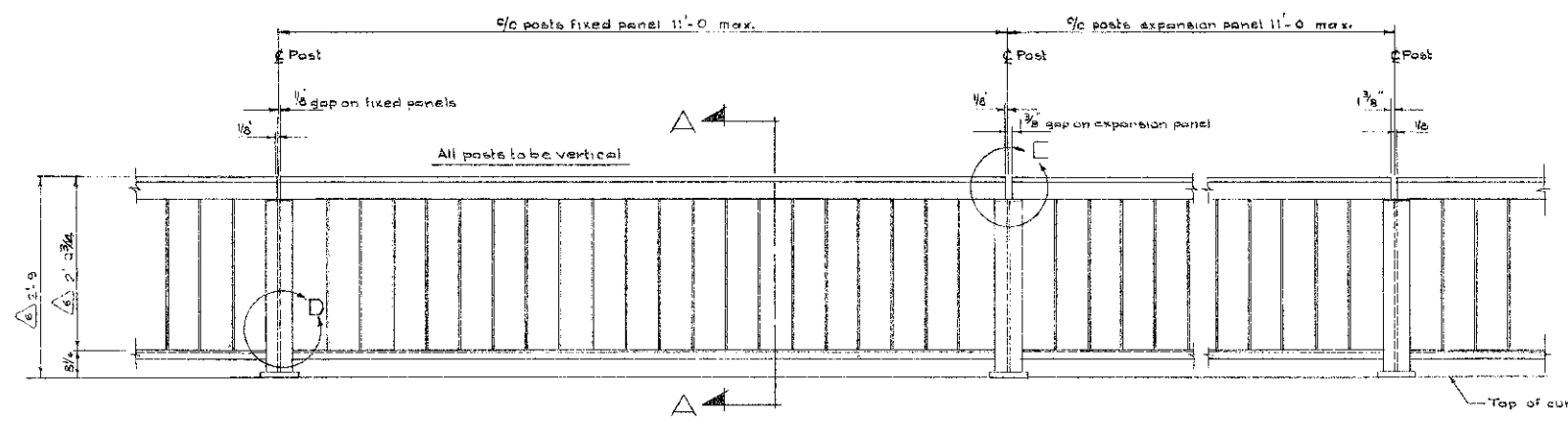
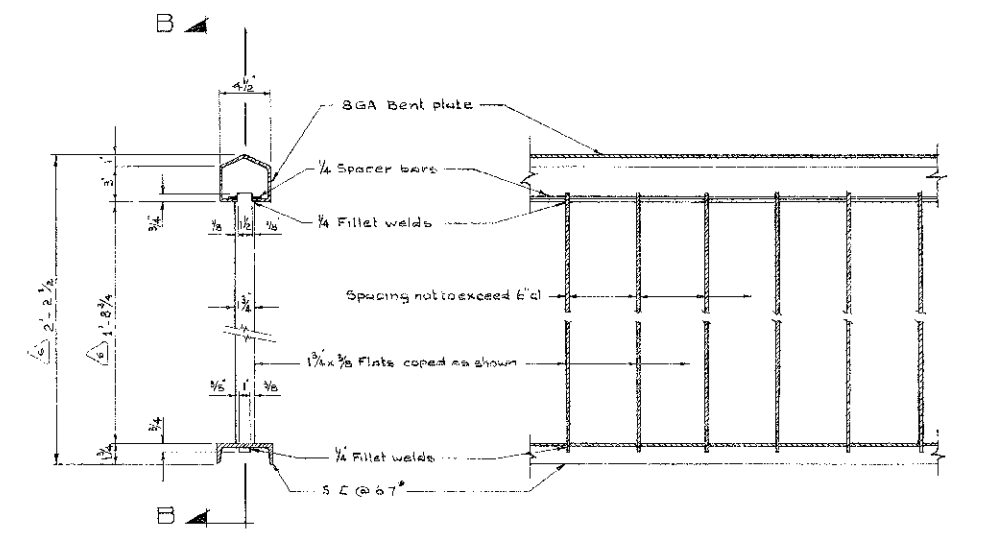


DESIGNED BY: Henry H. Hendrickson  
 DATE: September 18, 52  
 CHECKED BY: R. E. Bunn  
 DATE: Sep 11, 1953  
 DATE: Sept 22, 1953



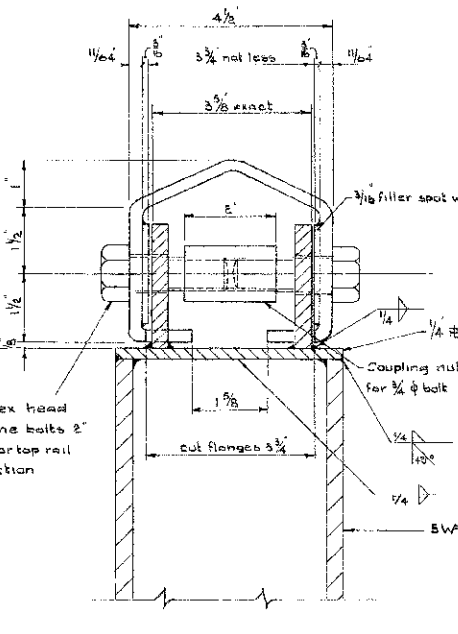
ELEVATION NTS

TYP. POST

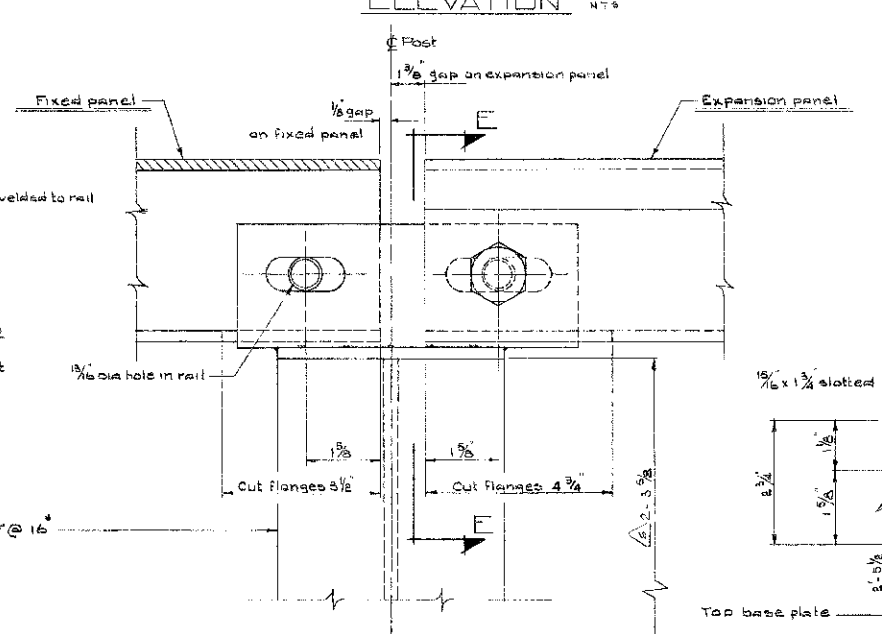


SECTION A-A  
Scale 1/2" = 1'-0"

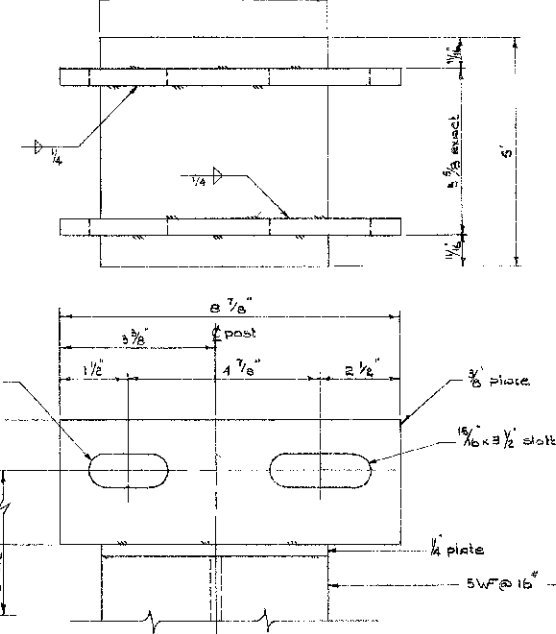
SECTION B-B  
Scale 1/2" = 1'-0"



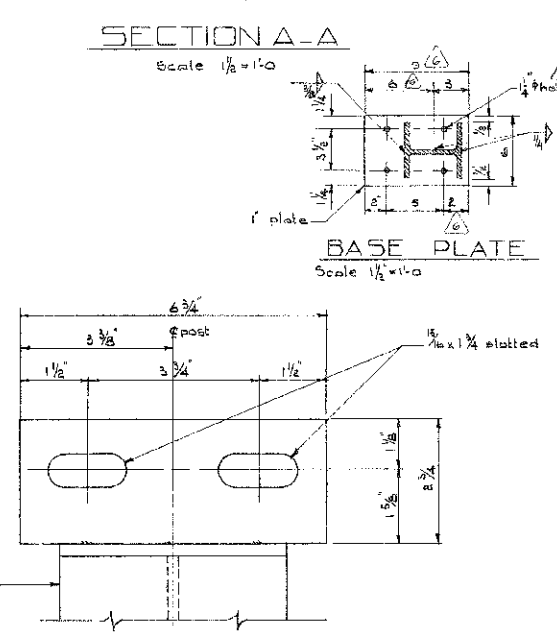
SECTION E-E  
Scale: Half size



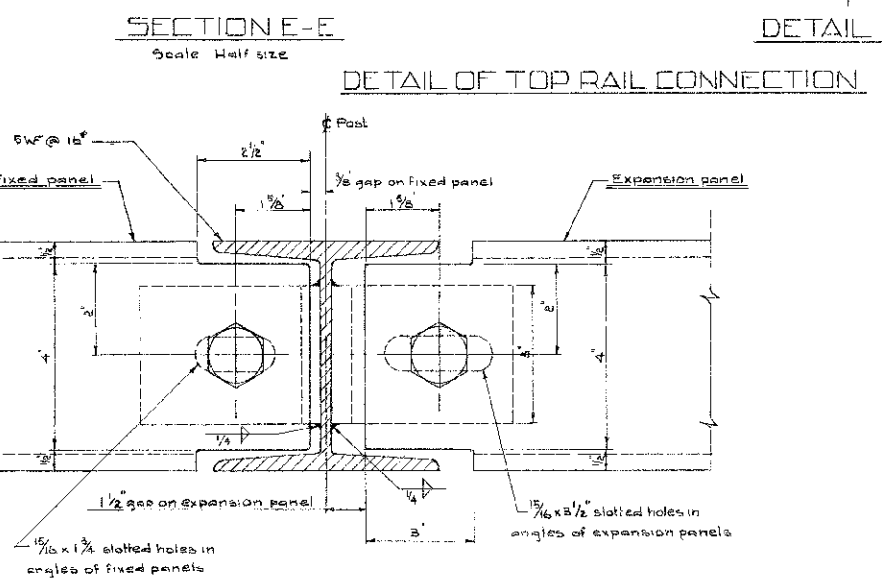
DETAIL C  
Scale: Half size



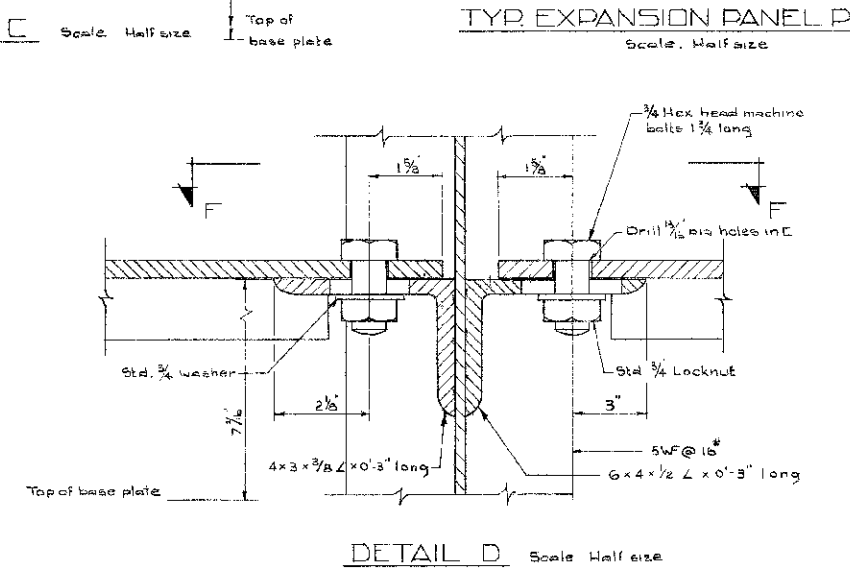
TYP. EXPANSION PANEL POST  
Scale: Half size



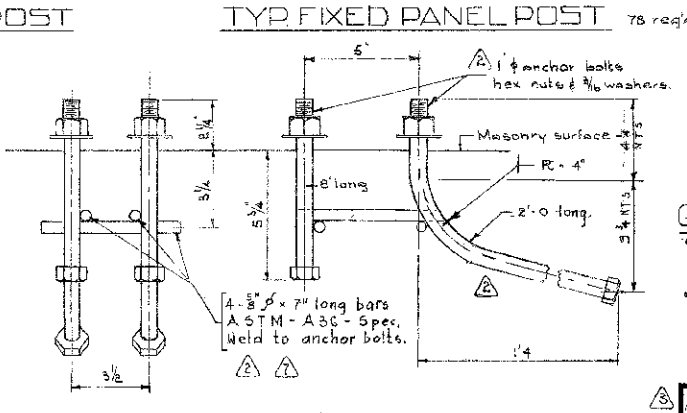
TYP. FIXED PANEL POST 78 req'd



SECTION F-F  
Scale: Half size



DETAIL D Scale: Half size



POST ANCHOR BOLTS Scale 3" = 1'-0"

**GENERAL NOTES**

- All steel including bolt heads, nuts and anchors to be given one shop coat red lead, iron oxide, oil alkyl type paint conforming to the requirements of the Canadian Government Specification Board Specification 1-6P-140A.
- Steel shall conform to A.A.B.H.O.-M54-57-1 (A.S.T.M.-A375-56 T)

*Superseded By 9-752*

**2'-9" SIDEWALK  
 VERTICAL BAR TYPE  
 HANDRAIL DETAILS**

GOVERNMENT OF THE PROVINCE OF ALBERTA  
 DEPARTMENT OF HIGHWAYS  
 BRIDGE BRANCH, EDMONTON

FILE NO. \_\_\_\_\_ HWY. NO. \_\_\_\_\_ DWG. NO. **5-732**  
 LOCATION \_\_\_\_\_ SCALE \_\_\_\_\_ SHEET \_\_\_\_\_ OF \_\_\_\_\_  
 STREAM \_\_\_\_\_ SHEET \_\_\_\_\_ OF \_\_\_\_\_

NO.	DATE	DESCRIPTION	BY
7	Oct 2/67	Anchor bolt assembly.	B.W.S
6	Feb. 12/62	Revised to 2'-9" sidewalk	W.J.H
5	Dec 18/61	steel changed to A375	B.W.S
4	20 Nov 1956	Revised to 2'-9" sidewalk	B.E
3	8th Dec 1950	Title block - Highway added	B.W.S
2	Dec. 5/50	Anchor details	H.H.H.
1	Nov 1/50	This dwg. converted to Std.	H.H.H.

ALL U.S. RECORDS CENTER  
 42114 FT8894