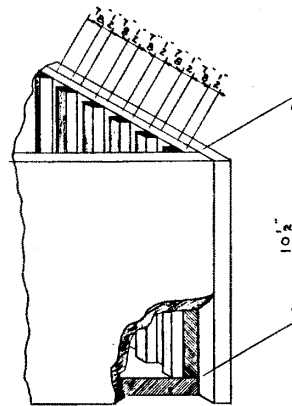
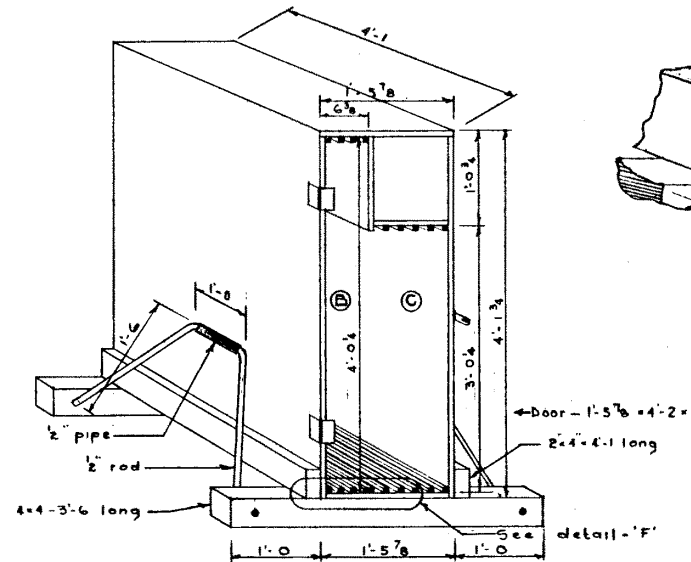


**BOX # 1**

Weight of box = 100 lbs  
 Weight 12 signs = 177 lbs  
 Total weight full = 277 lbs

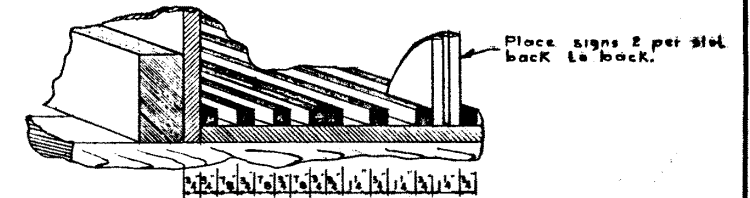


**DETAIL - A -**



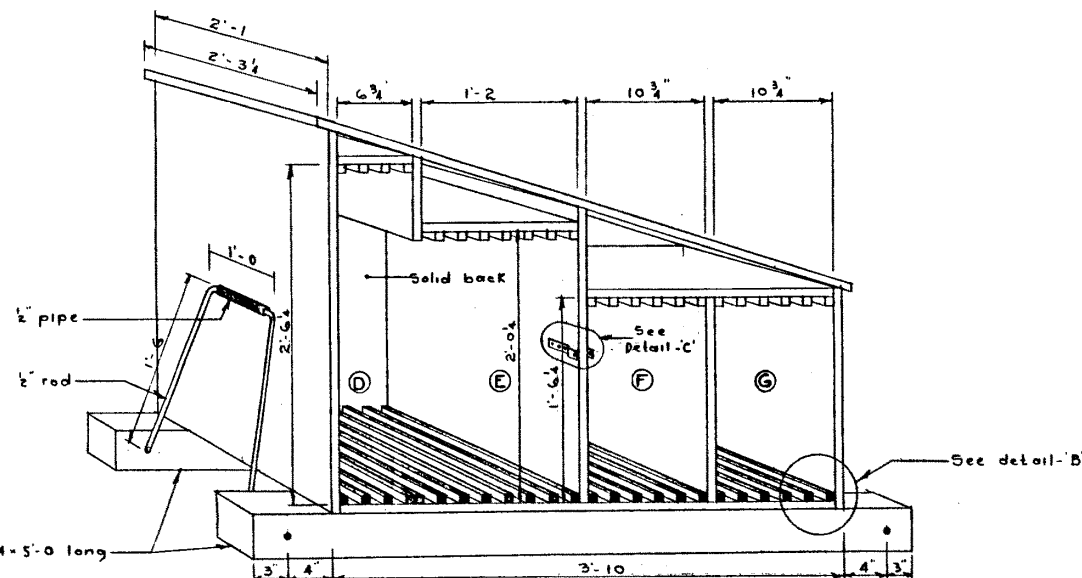
**BOX # 2**

Weight of box = 188 lbs  
 Weight of 3-4'x4' signs = 107 lbs  
 Weight of 10-3'x3' signs = 137 lbs  
 Total weight full = 432 lbs



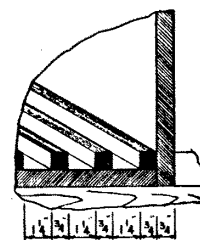
**DETAIL - F -**

Box No	Comp. No	Spaces	Sign Size	Weight
1	A	12	10" x 9 1/2" x 3/4"	177
2	B	5	24" x 24" x 1/2"	107
2	C	10	3" x 3" x 3/8"	137
3	D	6	30" x 24" x 1/2"	46
3	E	14	24" x 24" x 1/2"	85
3	F	5	24" x 18" x 1/2"	33
3	F	5	18" x 18" x 1/2"	17
3	G	20	18" x 12" x 1/2"	42

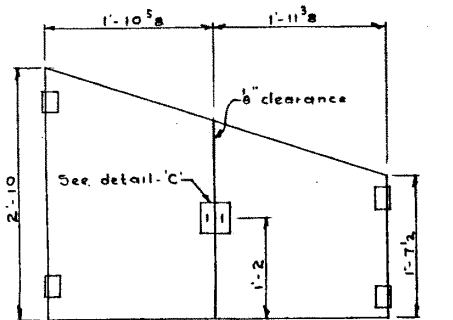


**BOX # 3**

Weight of box = 189 lbs  
 Weight of 50 signs = 217 lbs  
 Total weight full = 406 lbs

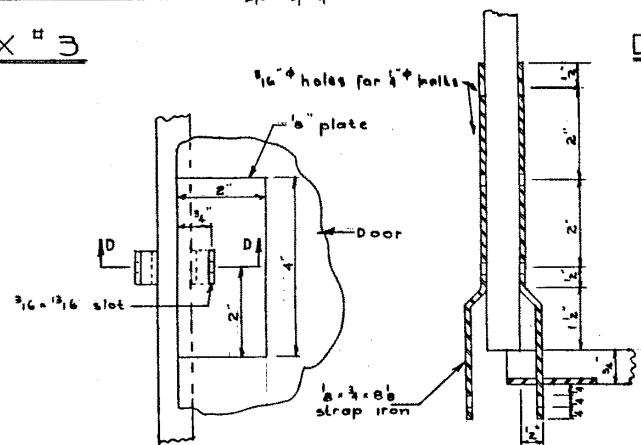


**DETAIL - B -**



**DOORS FOR BOX # 3**

Scale 1" = 1'-0"



**DETAIL - C -**

Scale = half size

Sign No.	No. Ref'd	Wording	Shape & Color	Size	Box Comp. No.	Weight Each	Total Weight
	2	Stop & Go Paddles					
		Std. Barricade					
B-1-L		Stripes Left Diagonal	Black & Yellow	10" x 9 1/2" x 3/4"	1-A	14.8	291.6
B-1-R		Stripes Right Diagonal		10" x 9 1/2" x 3/4"	1-A	14.8	291.6
B-3		Bridge Out		10" x 9 1/2" x 3/4"	1-A	14.8	291.6
B-4-L		Keep Left		10" x 9 1/2" x 3/4"	1-A	14.8	291.6
B-4-R		Keep Right	Black & Yellow	10" x 9 1/2" x 3/4"	1-A	14.8	291.6
C-1		Construction Ahead	Yellow	48" x 48" x 3/4"	2-B	35.6	71.2
C-2		Detour Ahead		36" x 36" x 1/2"	2-C	19.7	27.4
C-4		Barricade Ahead		36" x 36" x 1/2"	2-C	19.7	27.4
C-6		One Lane Traffic		24" x 24" x 1/2"	3-E	6.1	12.2
C-7		End Detour 400 Feet		36" x 36" x 1/2"	2-C	19.7	27.4
C-15	2	Men and Equipment Working	Yellow	36" x 36" x 1/2"	2-C	19.7	27.4
M-5	8	Arrow	Silver	12" x 18" x 1/2"	3-G	2.3	18.4
M-16	8	Detour (Use with Arrow)	Silver	12" x 18" x 1/2"	3-G	2.3	18.4
W-7	4	10 M.P.H.	Yellow	18" x 18" x 1/2"	3-F	3.4	13.6
R-3	2	Maximum Speed 25	Silver	24" x 30" x 1/2"	3-D	7.6	15.2
R-16-L		One Way	Silver	18" x 24" x 1/2"	3-F	4.6	9.2
R-16-R		One Way	Silver	18" x 24" x 1/2"	3-F	4.6	9.2
W-1-L		Turn Left	Yellow	24" x 24" x 1/2"	3-E	6.1	12.2
W-1-R		Turn Right		24" x 24" x 1/2"	3-E	6.1	12.2
W-52		Rough Road		24" x 24" x 1/2"	3-E	6.1	12.2
W-53		Trucks Crossing		24" x 24" x 1/2"	3-E	6.1	12.2
W-54		Thank You - Resume Speed	Yellow	24" x 24" x 1/2"	3-E	6.1	12.2
W-59	2	Reduce Speed Ahead	Silver	24" x 30" x 1/2"	3-D	7.6	15.2

**SIGN BOXES**



GOVERNMENT OF THE PROVINCE OF ALBERTA  
 DEPARTMENT OF HIGHWAYS  
 BRIDGE BRANCH, EDMONTON

FILE NO. 21 HWY. NO. \_\_\_\_\_ DWG. NO. \_\_\_\_\_  
 LOCATION \_\_\_\_\_ SCALE \_\_\_\_\_  
 STREAM \_\_\_\_\_ SHEET \_\_\_\_\_ OF 5-734

NO.	DATE	DESCRIPTION	BY

DESIGNED BY \_\_\_\_\_  
 DATE \_\_\_\_\_  
 DETAILED BY \_\_\_\_\_  
 DATE \_\_\_\_\_  
 CHECKED BY \_\_\_\_\_  
 DATE \_\_\_\_\_