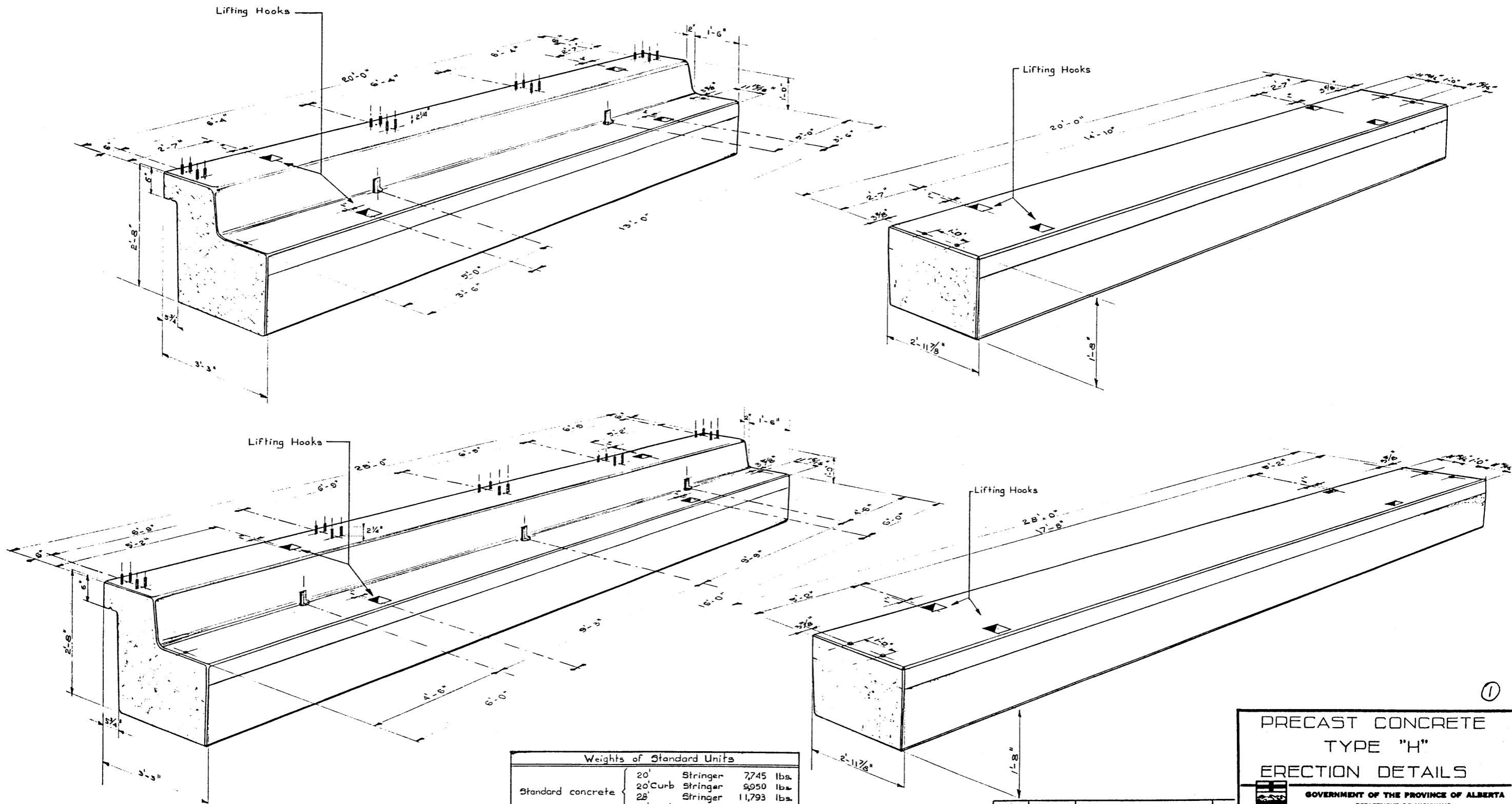


DESIGNED BY _____ DATE _____
 DRAWN BY _____ DATE _____
 CHECKED BY _____ DATE _____



Weights of Standard Units			
Standard concrete	20'	Stringer	7,745 lbs.
	20'	Curb	9,950 lbs.
	28'	Stringer	11,793 lbs.
Light weight concrete	28'	Curb	14,571 lbs.
	28'	Stringer	8,355 lbs.
	28'	Curb	10,200 lbs.

NO.	DATE	DESCRIPTION	BY

PRECAST CONCRETE
TYPE "H"
ERECTION DETAILS

GOVERNMENT OF THE PROVINCE OF ALBERTA
DEPARTMENT OF HIGHWAYS
BRIDGE BRANCH, EDMONTON

FILE NO. _____	HWY. NO. _____	DWG. NO. _____
LOCATION _____	SCALE N.T.S.	SHEET _____ OF _____
STREAM _____		5747