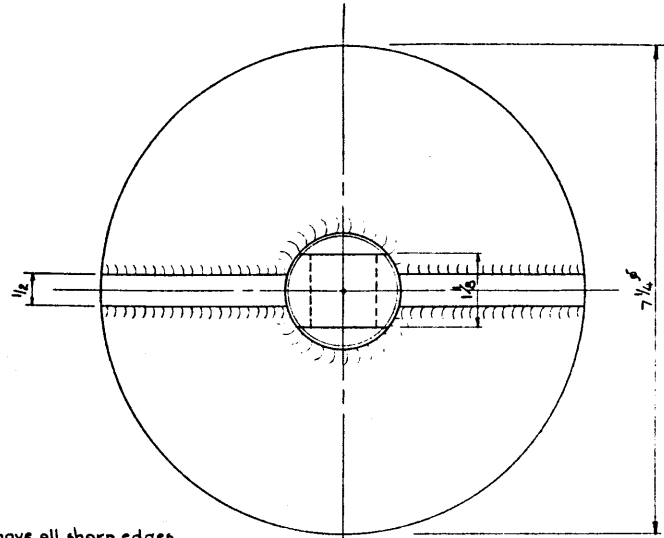
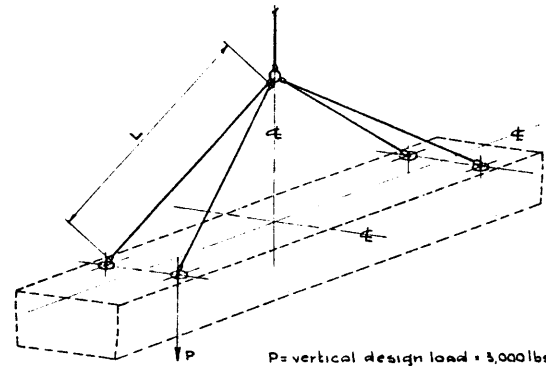


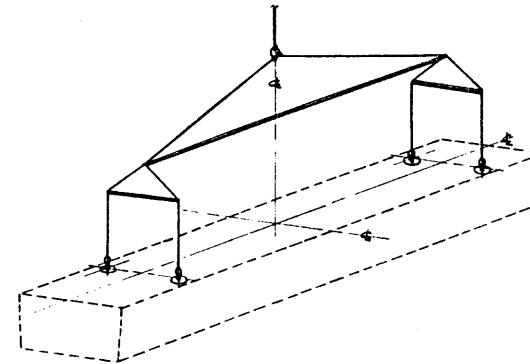
J&K Stringer Weights Standard Aggregate		
Length	Interior Str.	Curb Str.
20'		
25'		
30'		
35'		
40'		
45'		



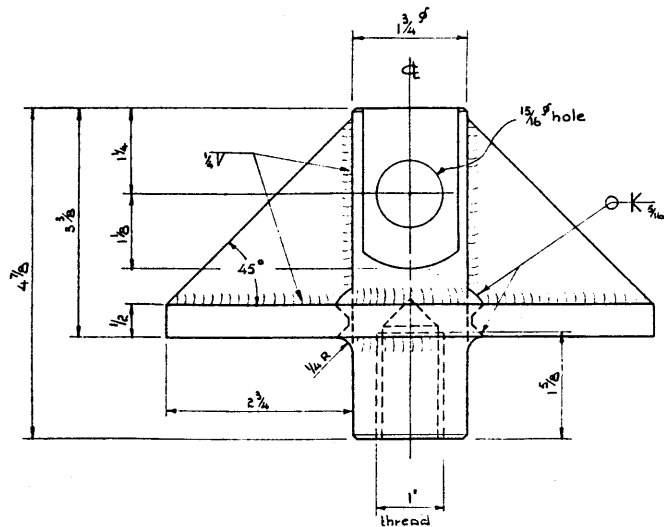
Note: Remove all sharp edges.



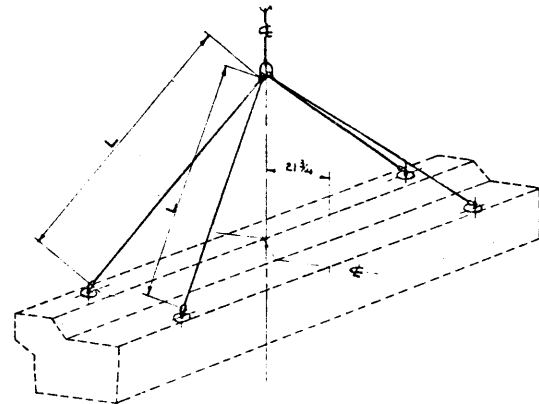
HOISTING OF 20' & 25' J&K STRINGERS N.T.S.



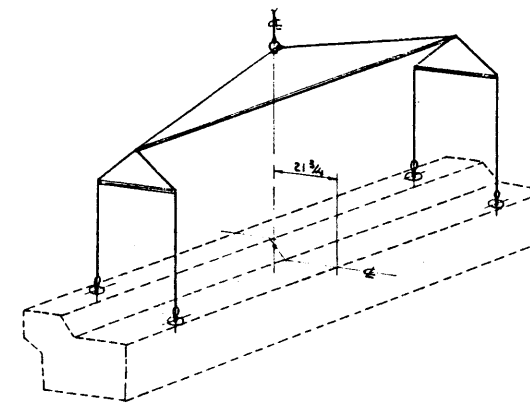
HOISTING OF 30', 35', 40' & 45' STRINGERS N.T.S.



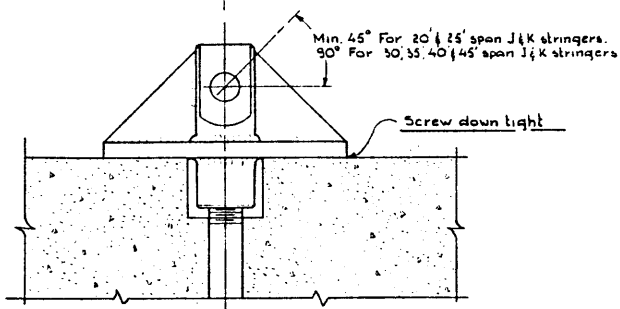
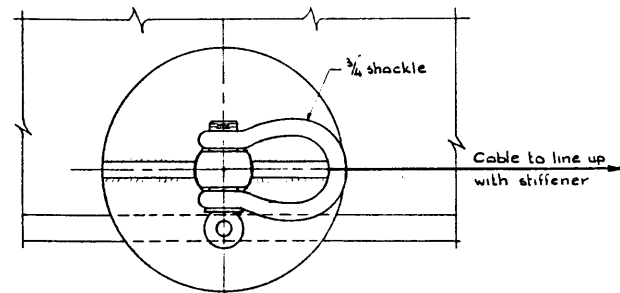
LIFTING CONNECTION DETAIL Scale: 3/4 Full Size



HOISTING OF 20' & 25' J&K CURB STRINGERS N.T.S.



HOISTING OF 30', 35', 40' & 45' J&K CURB STRINGERS N.T.S.



LIFTING CONNECTION ASSEMBLY Scale: 3/8 Full Size

L = overall length including shackles and hooks.
 For 20' span L = 10'-5 1/4"
 For 25' span L = 14'-2 1/4"

DESIGNED BY: R. Eichenberg
 CHECKED BY: _____
 DATE: _____
 DATE: _____
 DATE: _____

HOISTING DETAILS
OF
J&K STRINGERS

GOVERNMENT OF THE PROVINCE OF ALBERTA
DEPARTMENT OF HIGHWAYS
BRIDGE BRANCH, EDMONTON

FILE NO.	HWY. NO.	DWG. NO.
LOCATION	SCALE Shown	5760
STREAM	SHEET OF	

NO.	DATE	DESCRIPTION	BY

REVISIONS

AT & U.S. RECORDS CENTRE
 11/19/87