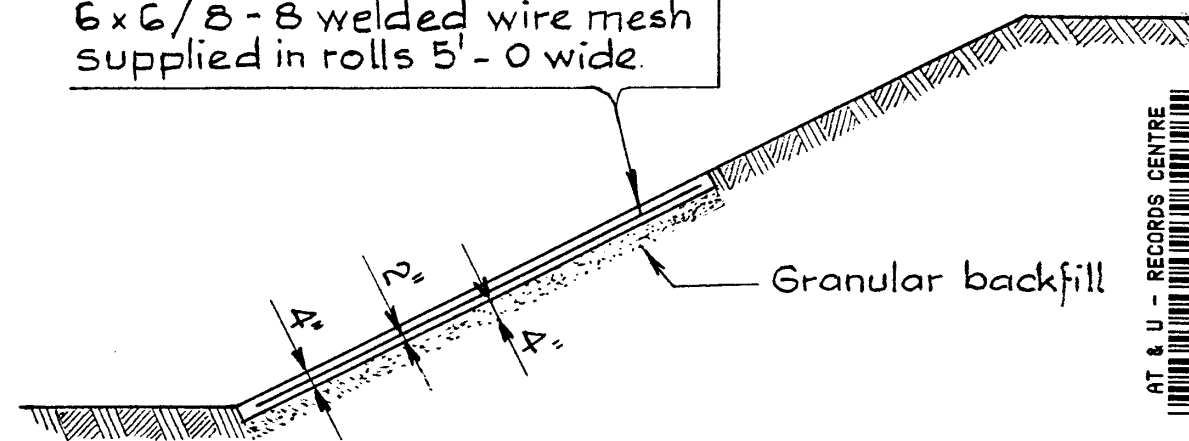


# CONCRETE SLOPE PROTECTION

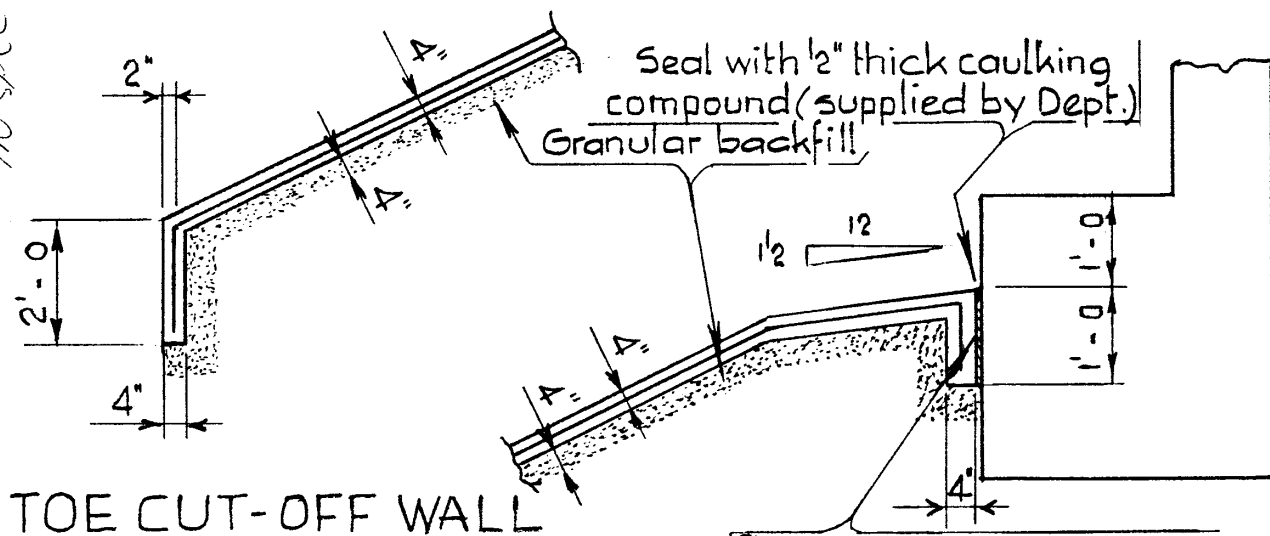
B-292-69

Superseded by S-770 (B-333-71)  
 S 1409-99 WJCF 99-04-20  
 110 SPEC BCCC & DFT 5795

6 x 6/8 - 8 welded wire mesh supplied in rolls 5' - 0 wide.



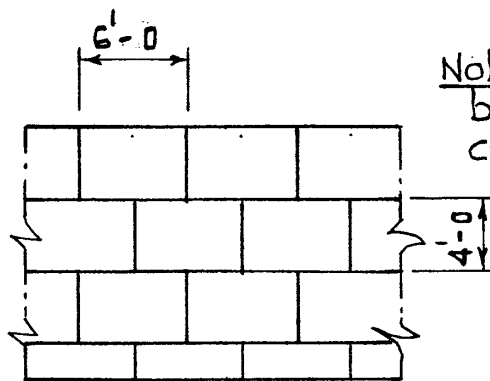
WITHOUT TOP OR TOE CUT-OFF WALLS.



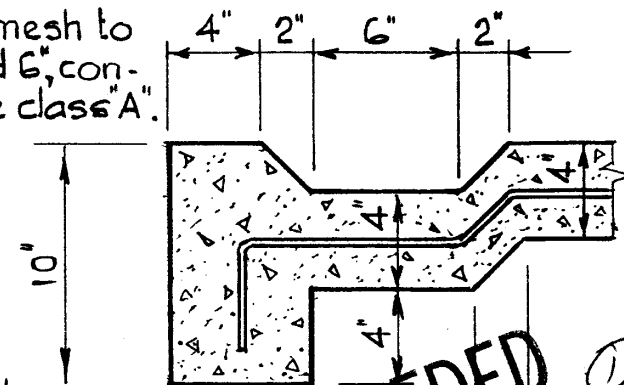
TOE CUT-OFF WALL

Seal with 1/2" thick caulking compound (supplied by Dept.)  
Granular backfill

TOP CUT-OFF WALL



Note: Wire mesh to be lapped 6", concrete to be class "A".



**SUPERSEDED** ①  
EDGE DETAIL.

All joints to be formed with side-walk type grooving tool. Slab to be given class 4 sidewalk finish. Rectangular blocks are to be maintained on skew bridges.

