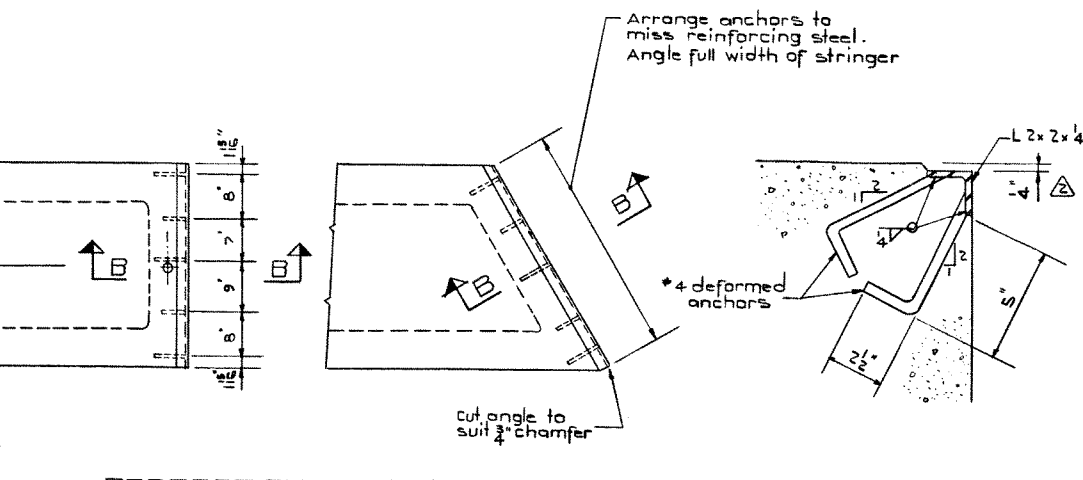


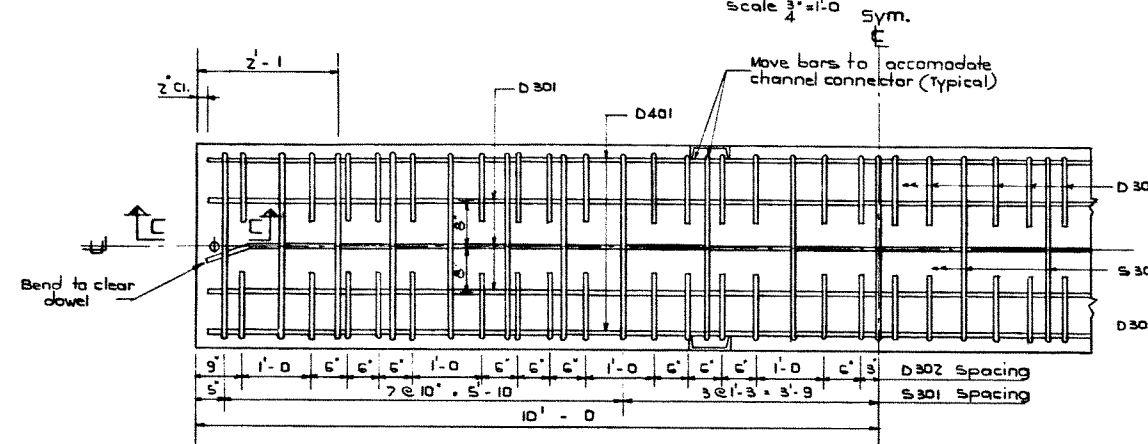
PLAN VIEW  
Scale 3/4" = 1'-0"



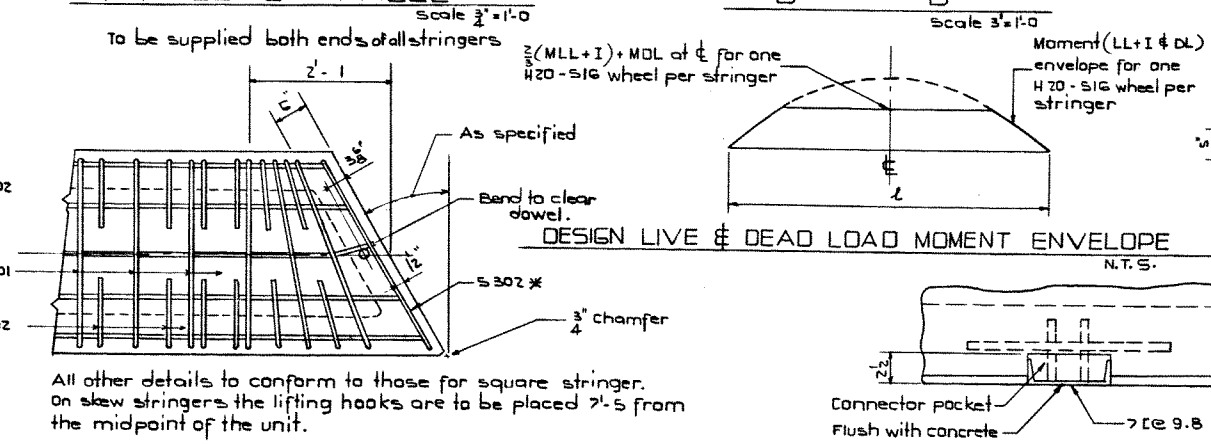
PROTECTION ANGLE  
Scale 3/4" = 1'-0"

MARK	SIZE	NO	TYPE	X	LENGTH	WEIGHT
D 301	3	3	Str.		19' - 8"	22
D 302	3	CO	A		1' - 5"	32
S 301	3	21	B		9' - 4"	24
D 401	4	2	Str.		19' - 8"	26
D 501	5	20	Str.		2' - 8"	56
G 601	6	2	Str.		10' - 0"	48
G 602	6	2	Str.		18' - 6"	56
G 801	8	2	D		20' - 9"	111
G 301	3	4	C		3' - 4"	5
S 302	3	2	E			
D 303	3	20	Str.		2' - 8"	20

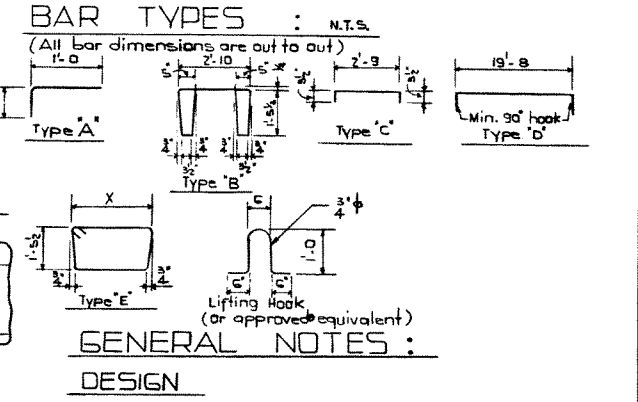
\* For skewed stringer only  
Total weight: 450



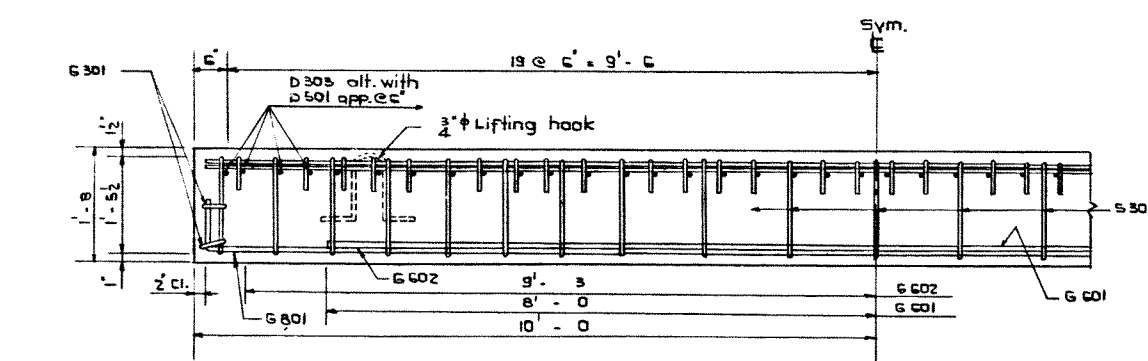
REINFORCEMENT PLAN  
Scale 3/4" = 1'-0"



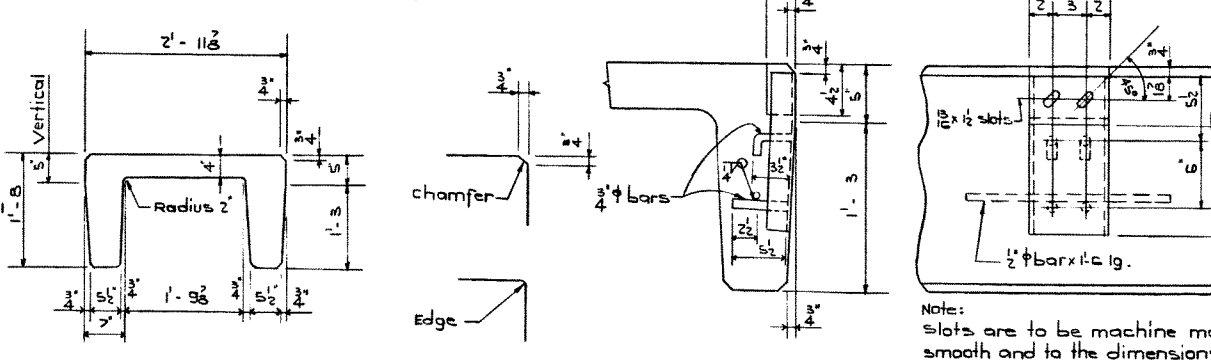
SKEW STRINGER  
Scale 3/4" = 1'-0"



GENERAL NOTES:  
DESIGN  
Live Load - A.A.S.H.O. HS-20-44 modified as shown.  
Dead Load - Includes allowance for 2" wearing surface.  
Concrete - to be standard weight aggregates with maximum aggregate size of 3/4" inch. Minimum 28 day compressive strength to be 4000 p.s.i.

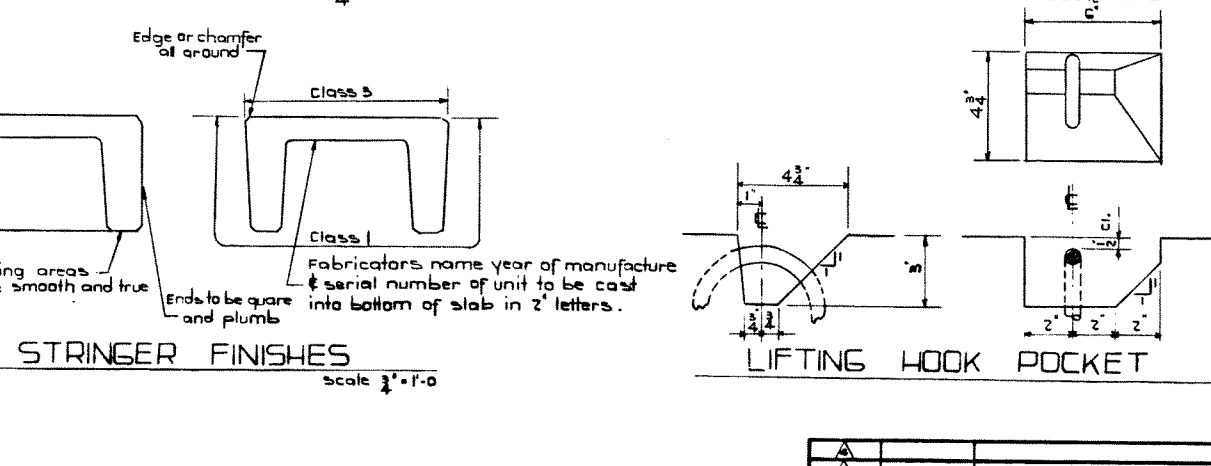
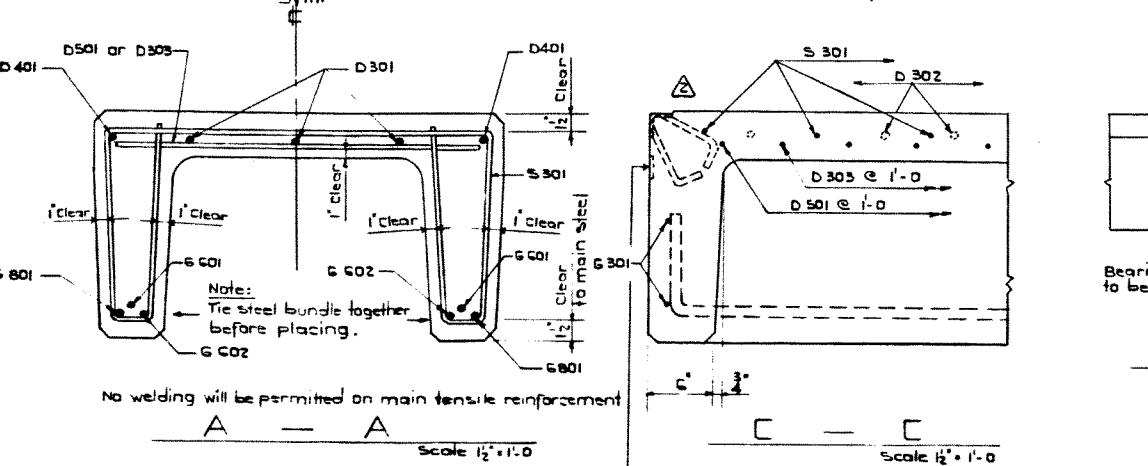


REINFORCEMENT ELEVATION  
Scale 3/4" = 1'-0"



STRINGER CONNECTORS  
Scale 1/2" = 1'-0"

CONSTRUCTION  
Entrained air shall be not less than 5%.  
Diameters of all bends shall conform to the recommended minimums and all hooks, unless otherwise noted shall conform to the recommended sizes detailed in the A.C.I. Manual of Standard Practice for Detailing Reinforced Concrete Structures.  
Each stringer shall have a cast chamfer of 3/4" inch.  
All acute angles on skewed stringers shall have 3/4" inch chamfer. Concrete shall attain at least 30% of the specified 28 day compressive strength before the units are stripped from the forms or lifted.  
Each connector is to be allowed one 3/4" x 2" H.T. bolt, one heavy hex semifinished nut and three hardened washers (supplied by Dept.)  
Units are to conform to the requirements of the Alberta Government Specification for the Manufacture of Precast Concrete Bridge Units.



LIFTING HOOK POCKET  
Scale 1/2" = 1'-0"

DESIGNED BY: S.R.M.  
DATE: May 1962  
DETAILED BY: L. Kohlmann  
DATE: May 1962  
CHECKED BY: R.E.R.  
DATE: May 1962

No welding will be permitted on main tensile reinforcement

Serial number of unit to be cast into end of unit in numbers 2" high.

NO.	DATE	DESCRIPTION	BY
1	Jan. 16/63	Buffer angle lowered	L.K.
2	Sept 1/63	Redrawn	L.K.

**SUPERSEDED**

PRECAST CONCRETE  
20 FT. SPAN TYPE 'HC  
INTERIOR STRINGER

GOVERNMENT OF THE PROVINCE OF ALBERTA  
DEPARTMENT OF HIGHWAYS  
BRIDGE BRANCH, EDMONTON

FILE NO. HWY. NO. SCALE: as shown  
LOCATION: SHEET OF S-780