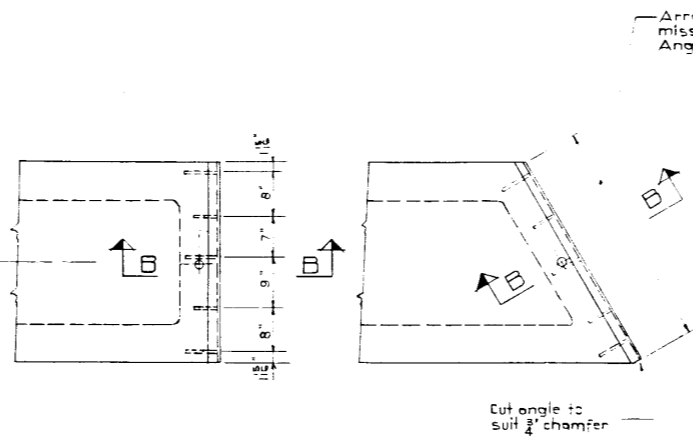
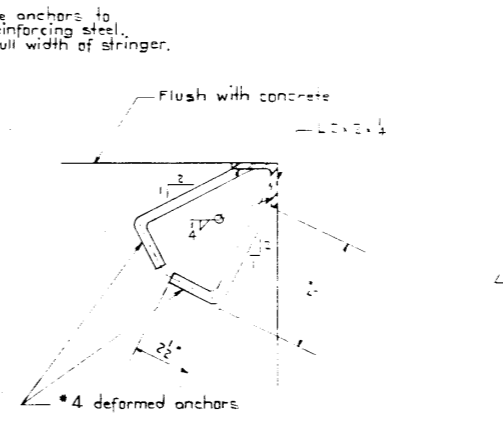


PLAN VIEW  
Scale 3/4" = 1'-0"



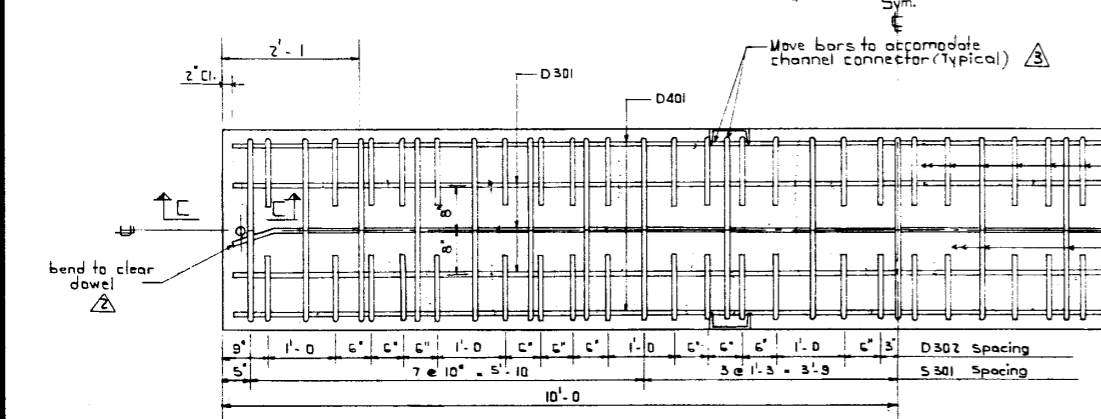
PROTECTION ANGLE  
Scale 3/4" = 1'-0"



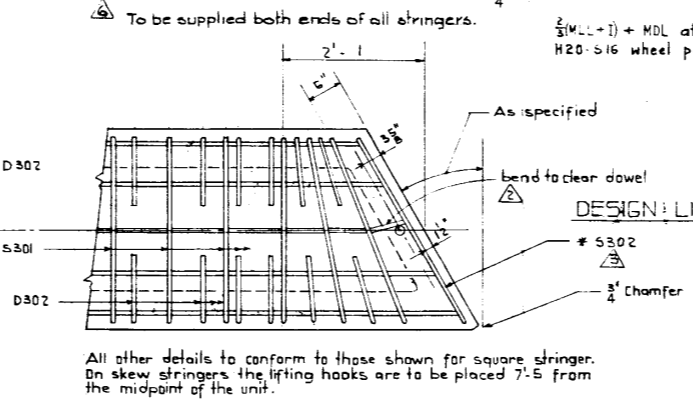
SECTION B-B  
Scale 3/4" = 1'-0"

MARK	SIZE	NO	TYPE	X	LENGTH	WEIGHT
D 301	3	3	S+R		19'-8"	22*
D 302	3	60	A		1'-5"	33*
S 301	3	21	B		9'-4"	74*
D 401	4	7	Sfr		19'-8"	23*
D 501	5	20	Sfr		2'-8"	56*
G 601	6	2	Sfr		16'-0"	48*
G 602	6	2	Sfr		18'-6"	55*
G 801	8	2	D		20'-9"	111*
E 301	3	4	C		3'-4"	5*
S 302	3	2	E			
D 303	3	20	Sfr		2'-8"	20*

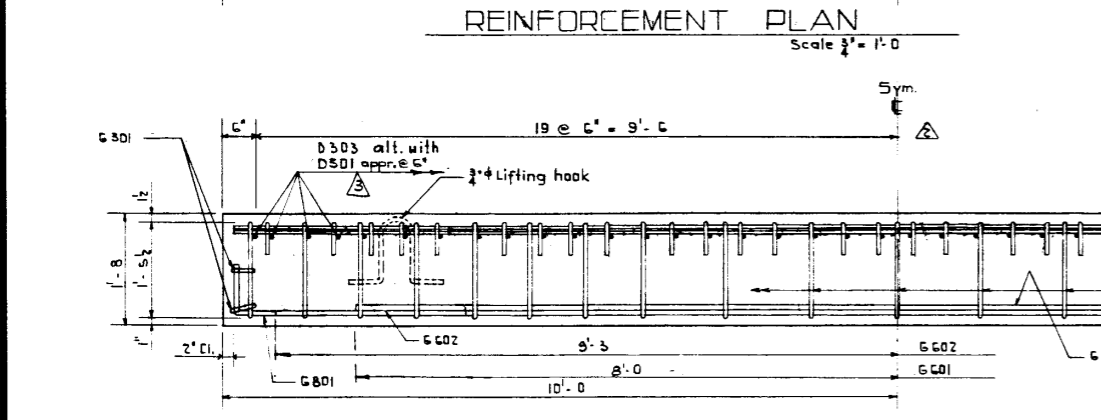
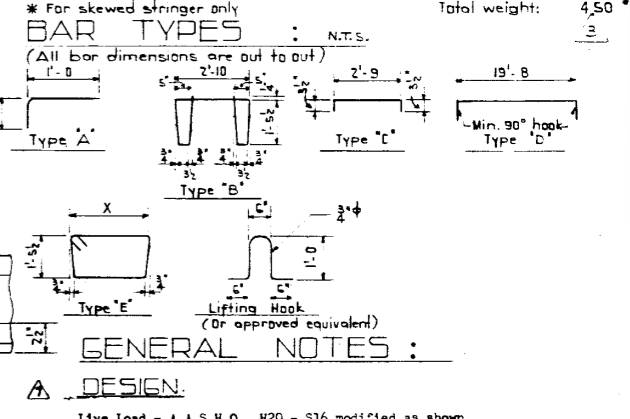
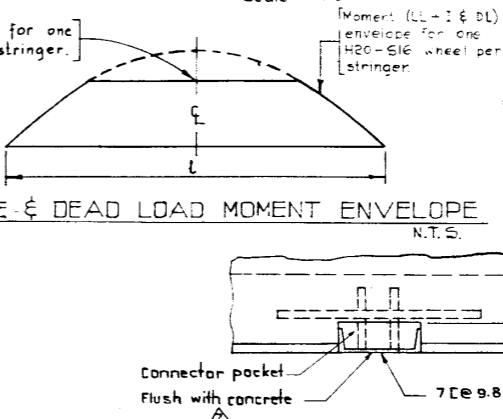
Total weight: 450\*



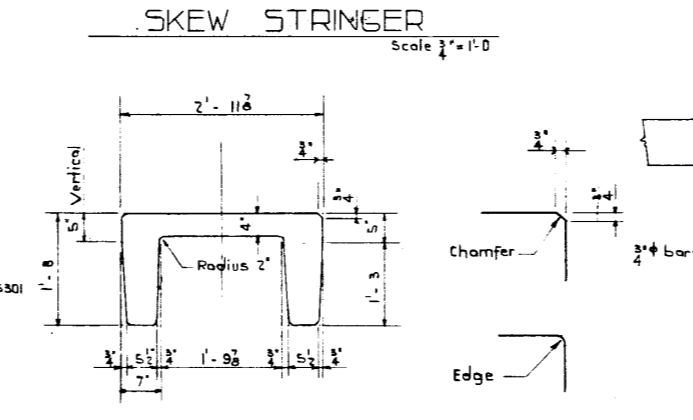
REINFORCEMENT PLAN  
Scale 3/4" = 1'-0"



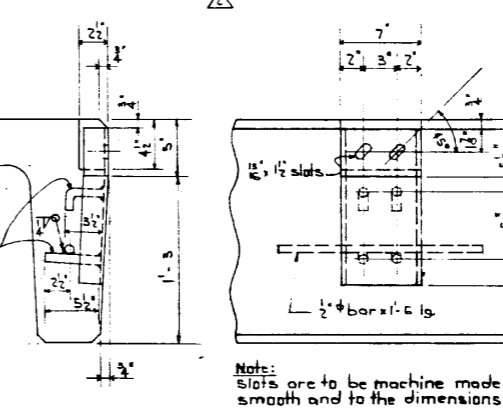
SKEW STRINGER  
Scale 3/4" = 1'-0"



REINFORCEMENT ELEVATION  
Scale 3/4" = 1'-0"



SECTION A-A  
Scale 3/4" = 1'-0"



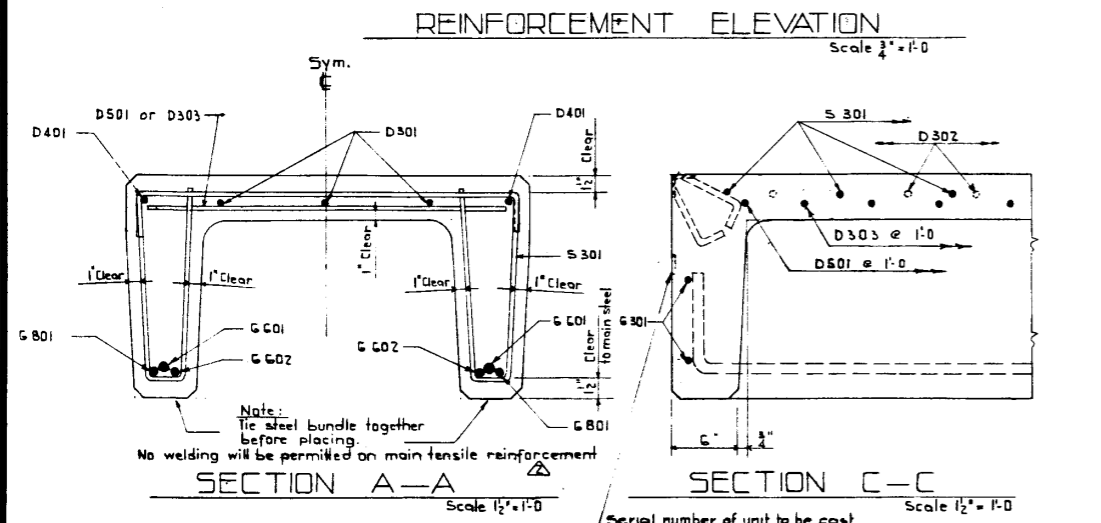
STRINGER CONNECTORS  
Scale 1/2" = 1'-0"

**GENERAL NOTES:**

**DESIGN:**  
Live Load - A.A.S.H.O. H20-S16 modified as shown.  
Dead Load - includes allowance for 2" wearing surface.  
Concrete - to be standard weight aggregates with maximum aggregate sizes of 1/2 inch. Minimum 28 day compressive strength to be 4000 p.s.i.

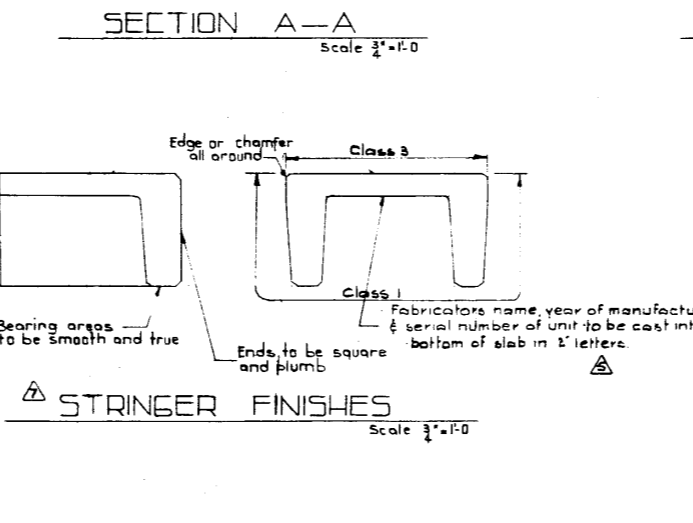
**CONSTRUCTION:**  
Entrained Air shall be not less than 5% (B)  
Diameters of all bends shall conform to the recommended minimum and all hooks, unless otherwise noted shall conform to the recommended sizes detailed in the A.C.I. Manual of Standard Practice for Detailing Reinforced Concrete Structures.  
Each stringer shall have a cast chamfer of 1/2 inch.  
All acute angles on skewed stringers shall have 1/2 inch chamfer.  
Concrete shall attain at least 30% of the specified 28 day compressive strength before the units are stripped from the forms or lifted.  
Each connector is to be allowed one 1/2" x 2" H.T. bolt, one heavy hex semi finished nut and three hardened washers. (Supplied by Dept.)  
Units are to conform to the requirements of the Alberta Government Specification for the Manufacture of Precast Concrete Bridge Units.

**ERECTION:**  
Any free space between the connectors shall be filled with washers.

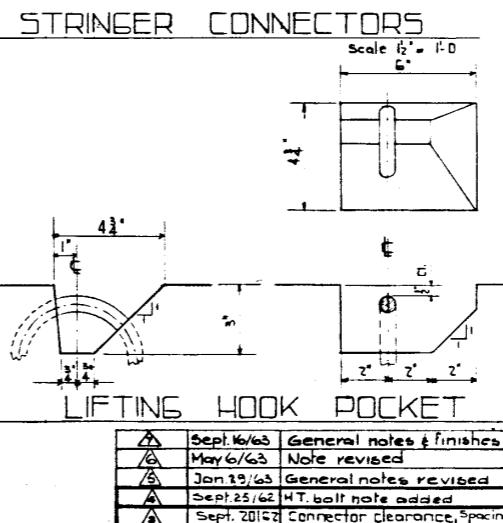


SECTION A-A  
Scale 1/2" = 1'-0"

SECTION C-C  
Scale 1/2" = 1'-0"



STRINGER FINISHES  
Scale 3/4" = 1'-0"



LIFTING HOOK POCKET  
Scale 1/2" = 1'-0"

**SUPERSEDED**  
**SUPERSEDED**  
Sept. 1, 1965

PRECAST CONCRETE  
20 FT. SPAN TYPE "HC"  
INTERIOR STRINGER  
GOVERNMENT OF THE PROVINCE OF ALBERTA  
DEPARTMENT OF HIGHWAYS  
BRIDGE BRANCH, EDMONTON

NO	DATE	DESCRIPTION	BY
1	Sept. 16/63	General notes & finishes	R.E.
2	May 6/63	Note revised	R.E.
3	Jan 19/63	General notes revised	R.E.
4	Sept. 25/62	H.T. bolt note added	R.E.
5	Sept. 20/62	Connector clearance spacing	L.K.
6	Aug. 28/62	General revision	L.K.
7	Aug. 1/62	Extended bars G601 & G602	B.W.S.

DESIGNED BY: G.R.M.  
DATE: May 19 52  
CHECKED BY: L. Kahlmann  
DATE: May 19 52  
REVISIONS

FILE NO. \_\_\_\_\_ HWY. NO. \_\_\_\_\_ DWG. NO. \_\_\_\_\_  
LOCATION \_\_\_\_\_ SCALE as shown \_\_\_\_\_ SHEET \_\_\_\_\_ OF \_\_\_\_\_