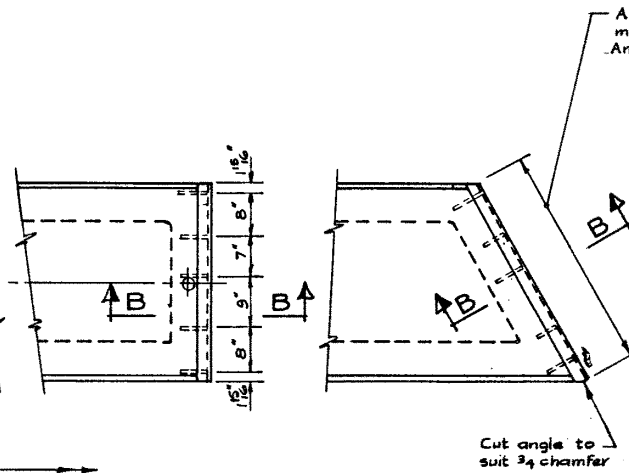
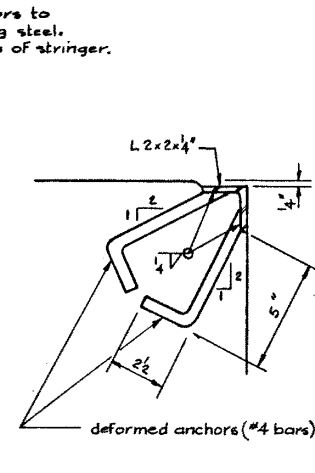


PLAN VIEW
Scale: 3/4" = 1'-0"



PROTECTION ANGLES
Scale: 3/4" = 1'-0"

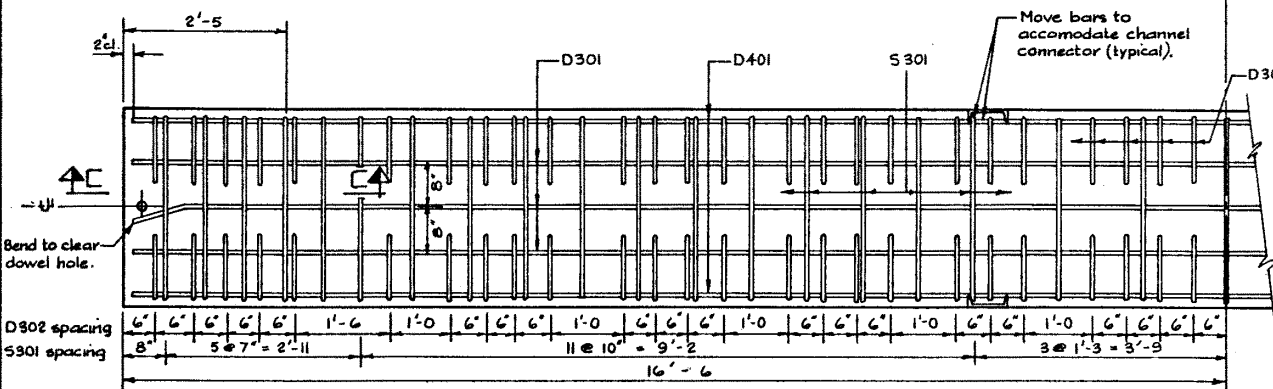
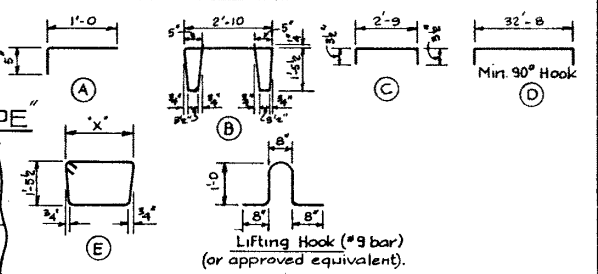


SECTION B-B
Scale: 3/4" = 1'-0"

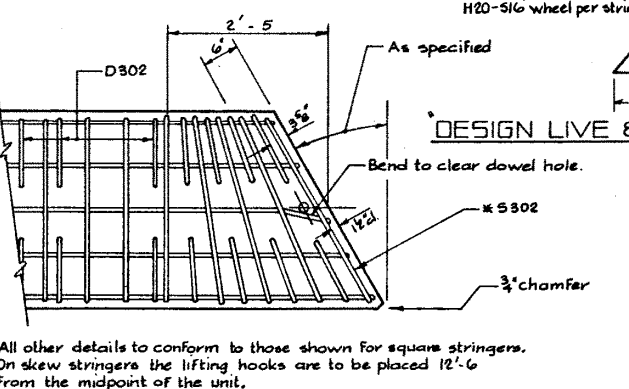
BAR LIST						
MARK	SIZE	NO.	TYPE	"X"	LENGTH	WEIGHT
D 301	3	3	Str.		32' - 8"	37
D 302	3	100	A		1' - 5"	53
S 301	3	39	B		9' - 4"	137
D 401	4	2	Str.		32' - 8"	44
D 501	5	33	Str.		2' - 8"	92
G 1001	10	2	Str.		28' - 0"	241
G 1002	10	2	Str.		32' - 0"	275
G 1003	10	2	D		34' - 1"	293
S 302	3	2	E	Varies		
G 301	3	4	C		3' - 4"	5
D 303	3	32	Str.		2' - 8"	32

For skewed stringer only
Total weight: 1209

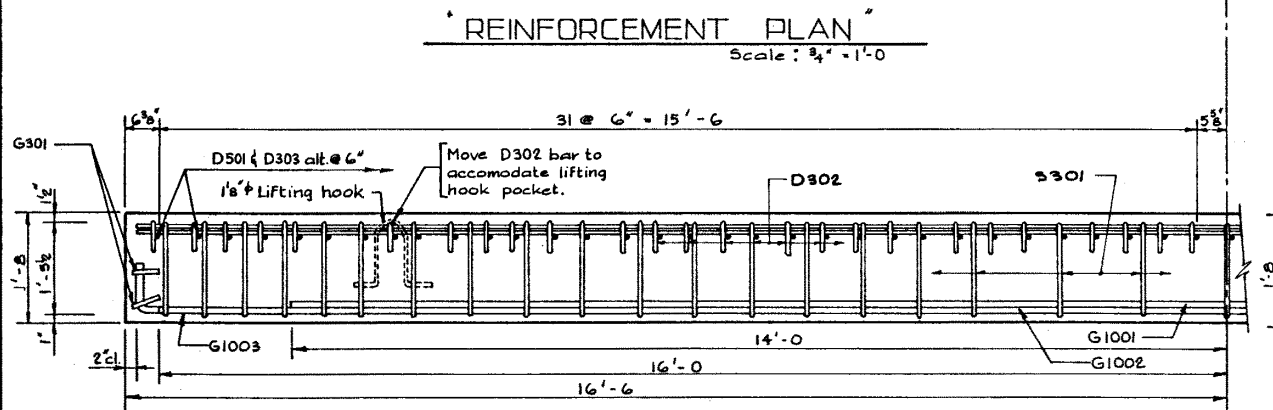
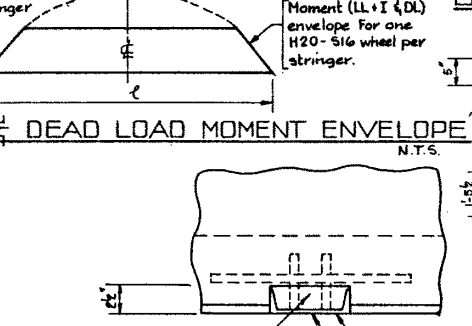
BAR TYPES (All bar dimensions are out to out)



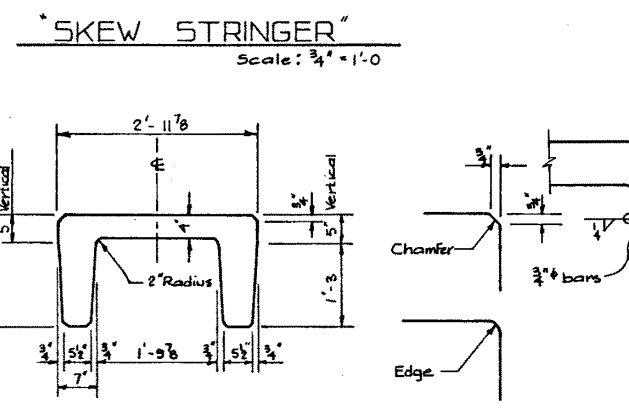
REINFORCEMENT PLAN
Scale: 3/4" = 1'-0"



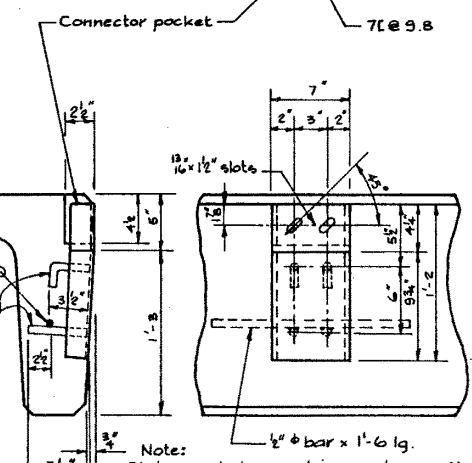
SKEW STRINGER
Scale: 3/4" = 1'-0"



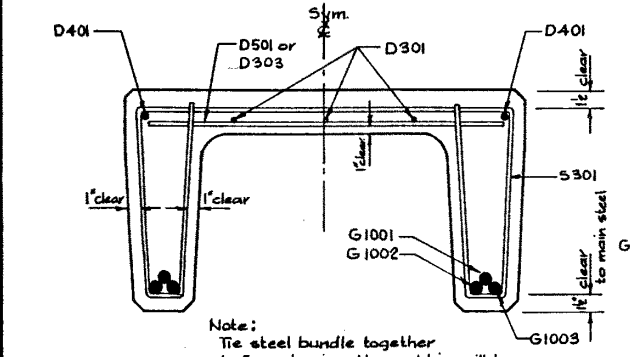
REINFORCEMENT ELEVATION
Scale: 3/4" = 1'-0"



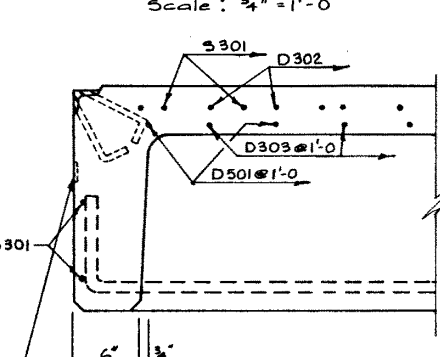
SECTION A-A
Scale: 3/4" = 1'-0"



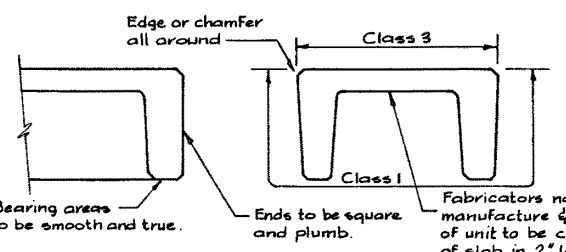
STRINGER CONNECTORS
Scale: 1/2" = 1'-0"



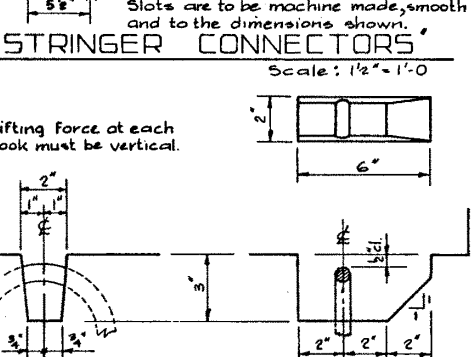
SECTION A-A
Scale: 1/2" = 1'-0"



SECTION C-C
Scale: 1/2" = 1'-0"



STRINGER FINISHES
Scale: 3/4" = 1'-0"



LIFTING HOOK POCKET
Scale: 3/4" = 1'-0"

GENERAL NOTES

DESIGN
Live Load - A.A.S.H.O. H20 - 516 modified as shown.
Dead Load - includes allowance for 2" wearing surface.
Concrete - to be standard weight aggregates with maximum aggregate size of 1 1/2 inch. Minimum 28 day compressive strength to be 4000 psi.

CONSTRUCTION
Strained Air shall be not less than 5%.
Dimensions of all bends shall conform to the recommended minimums and all hooks, unless otherwise noted shall conform to the recommended sizes detailed in the A.C.I. Manual of Standard Practice for Detailing Reinforced Concrete Structures.
Each stringer shall have a cast chamfer of 1/2 inch.
All acute angles on skewed stringers shall have 1/4 inch chamfer.
Concrete shall attain at least 30% of the specified 28 day compressive strength before the units are stripped from the forms or lifted.
Each connector is to be allowed one 1/2" x 2" H.T. bolt, one heavy hex finished nut and three hardened washers. (Supplied by Department).

Units are to conform to the requirements of the Alberta Government Specification for the Manufacture of Precast Concrete Bridge Units.

SUPERSEDED

PRECAST CONCRETE
33 FT. SPAN TYPE 'HC'
INTERIOR STRINGER

GOVERNMENT OF THE PROVINCE OF ALBERTA DEPARTMENT OF HIGHWAYS BRIDGE BRANCH, EDMONTON			
FILE NO.	HWY. NO.	DWS. NO.	
LOCATION	SCALE as shown	SHEET	5-784
STREAM			

NO.	DATE	DESCRIPTION	BY
	Aug 30/66	Redrawn	V.B.

DESIGNED BY E.E.B.
CHECKED BY P.H. [unclear]
DATE May 19 62

AS 113 - BRIDGE CENTER
PRINTED