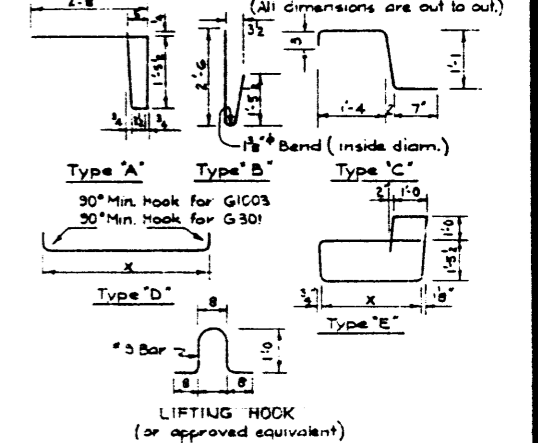


BAR LIST

MARK	SIZE	NUMBER	TYPE	X	LENGTH	WEIGHT
S 301	3	35	A		6'-0"	124
S 302	3	55	B		4'-1"	84
G 301	3	4	D	2'-7"	3'-6"	8
G 302	3	37	Str.		2'-8"	37
C 301	3	37	C		3'-9"	45
D 301	3	6	Str.		37'-8"	85
D 401	4	1	Str.		37'-8"	25
G 701	7	1	Str.		26'-6"	54
G 1001	10	1	Str.		31'-0"	133
G 1002	10	1	Str.		35'-0"	151
G 1003	10	2	D	37'-8"	39'-1"	344
G 1004	10	1	Str.		33'-0"	142
G 1101	11	1	D	37'-8"	39'-2"	208
S 303	3	2	E			

* Skewed stringer only 1,429 lbs

BAR TYPES



GENERAL NOTES

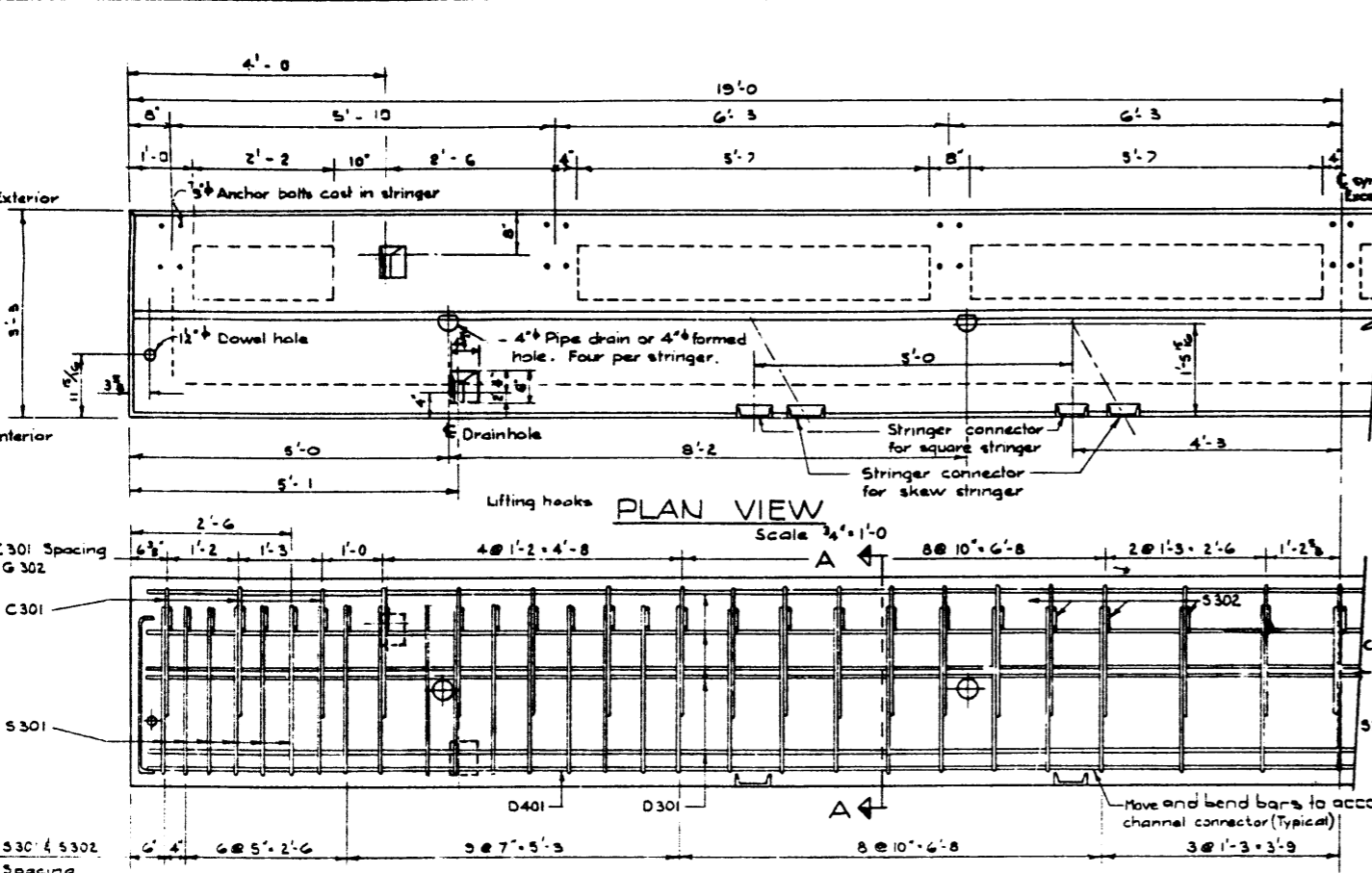
- DESIGN**
- Live Load - A.A.S.M.O. HS-20-44 modified as shown.
 - Dead Load - includes allowance for 2" wearing surface.
 - Concrete - to be standard weight, aggregates with maximum size of 3/4" inch. Minimum 28 day compressive strength to be 4500 p.s.i.
- CONSTRUCTION**
- Entrained air shall be not less than 5%.
 - Diameters of all bars shall conform to the recommended minimums and all hooks, unless otherwise noted shall conform to the recommended sizes detailed in the A.C.I. Manual of Standard Practice for Detailing Reinforced Concrete Structures.
 - Each stringer shall have a cast chamfer of 3/8 inch.
 - All acute angles on skewed stringers shall have 3/8 inch chamfer.
 - Concrete shall attain at least 30% of the specified 28 day compressive strength before the units are stripped from the forms or lifted.
 - Each connector is to be allowed one 3/4" x 2" H.T. bolt, one heavy hex semi finished nut and three hardened washers. (Supplied by Dept.)
 - Stringers shall conform to the requirements of the Alberta Government Specification for the Manufacture of Precast Concrete Bridge Units.
- ERECTION**
- Any free space between the connectors shall be filled with washers.
 - 10" to 15" deep 1/2" to 3/4" gravel 30'-6"
 - 6" to 8" deep 1/2" to 3/4" gravel 30'-3"
 - 3" to 4" deep 1/2" to 3/4" gravel 35'-9"

ANCHOR BOLT LOCATION FOR SKEWED ENDS

PRECAST CONCRETE 38 FT. SPAN TYPE 'HC' CURB STRINGER

GOVERNMENT OF THE PROVINCE OF ALBERTA
DEPARTMENT OF HIGHWAYS
BRIDGE BRANCH, EDMONTON

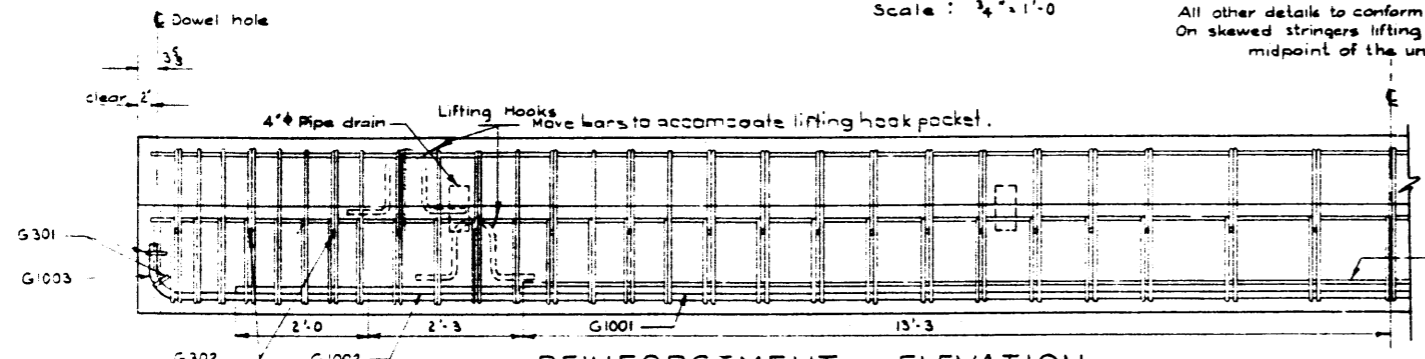
FILE NO. _____ HWY. NO. _____ SHEET NO. **S-787**
SCALE _____ SHEET _____ OF _____



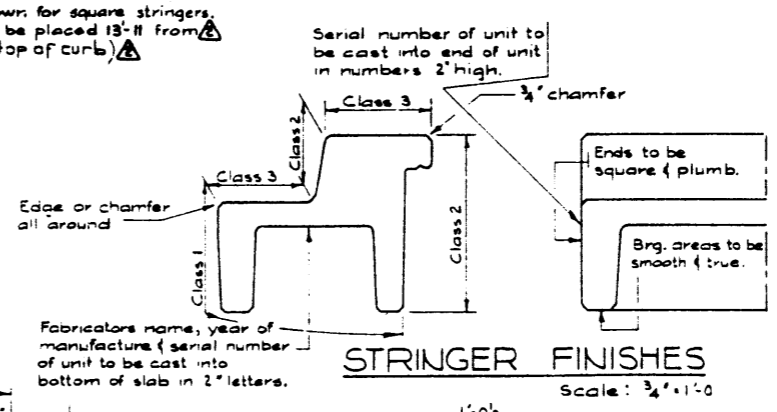
REINFORCEMENT PLAN
Scale: 3/4" = 1'-0"

SKEW STRINGER
Scale: 3/4" = 1'-0"

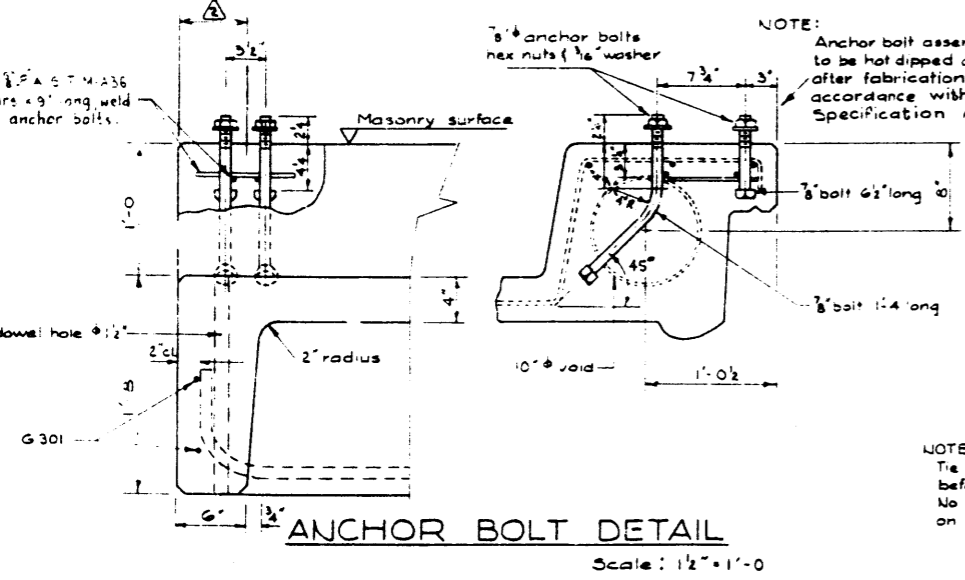
STRINGER CONNECTOR
Scale: 1/2" = 1'-0"



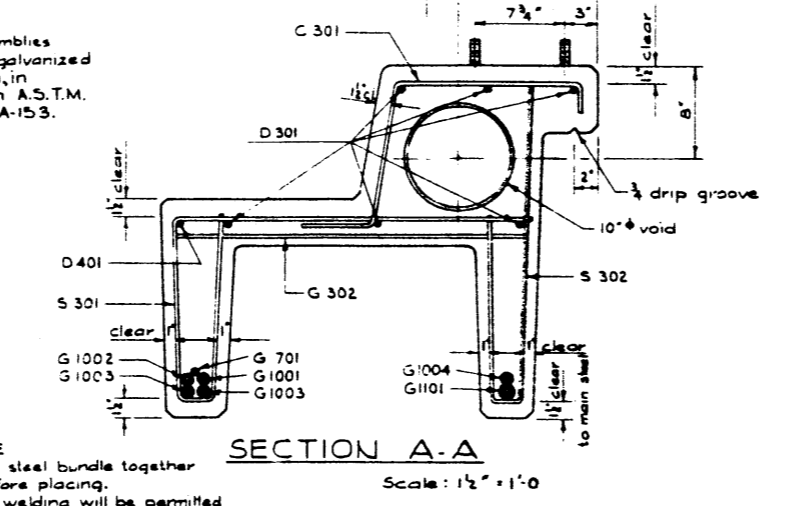
REINFORCEMENT ELEVATION
Scale: 3/4" = 1'-0"



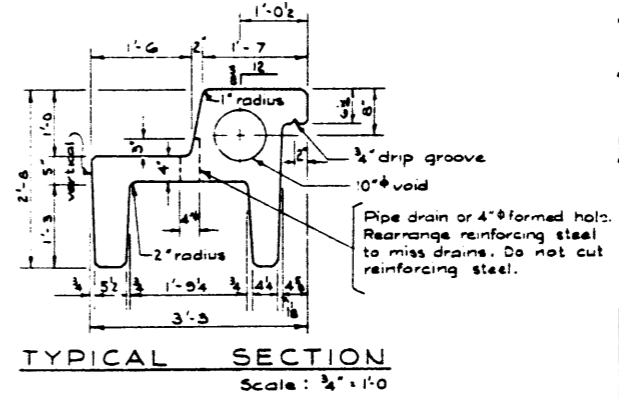
STRINGER FINISHES
Scale: 3/4" = 1'-0"



ANCHOR BOLT DETAIL
Scale: 1/2" = 1'-0"



SECTION A-A
Scale: 1/2" = 1'-0"



TYPICAL SECTION
Scale: 3/4" = 1'-0"

DESIGNED BY: K.E.B. DATE: JUN 19 62
CHECKED BY: D.H.C. DATE: JUN 19 62

NO.	DATE	REVISION	BY