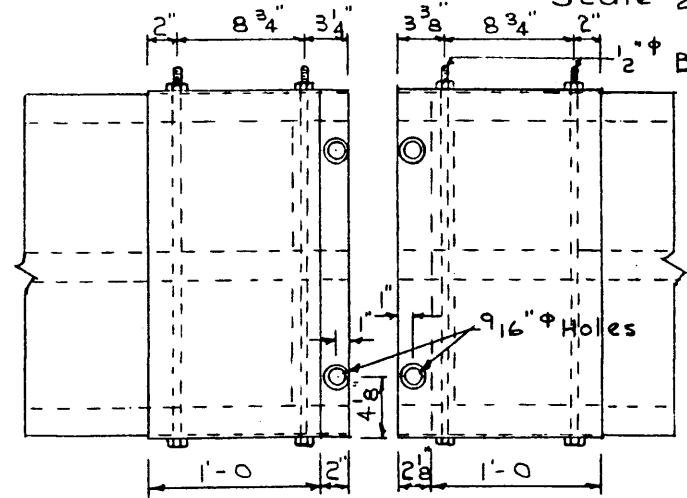


See Detail-A-

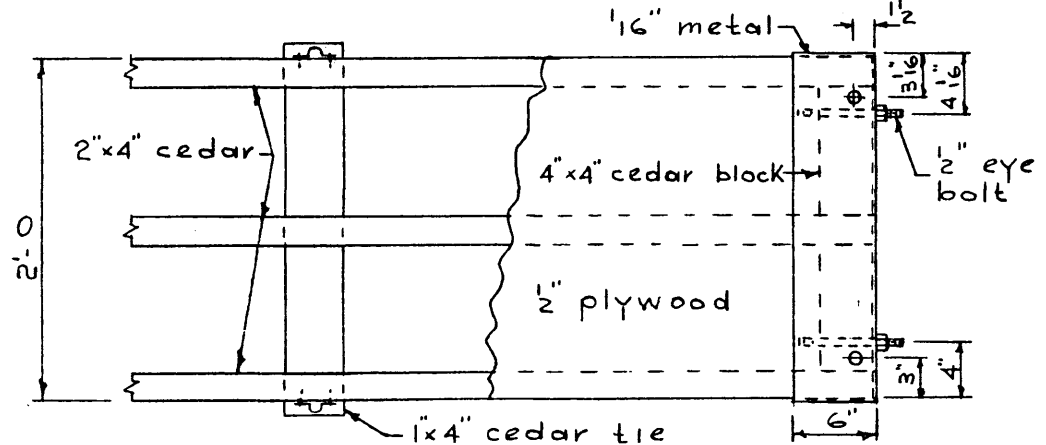
See Detail-B-

Elevation

Scale 1/2" = 1'-0"

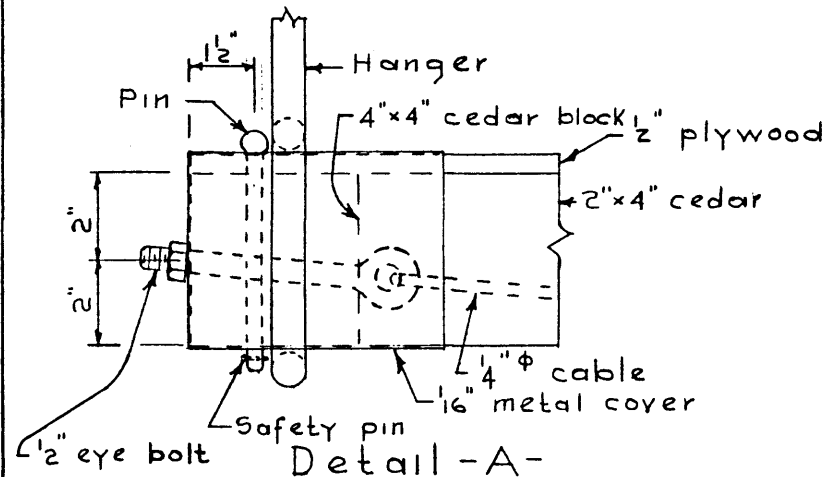


Plan



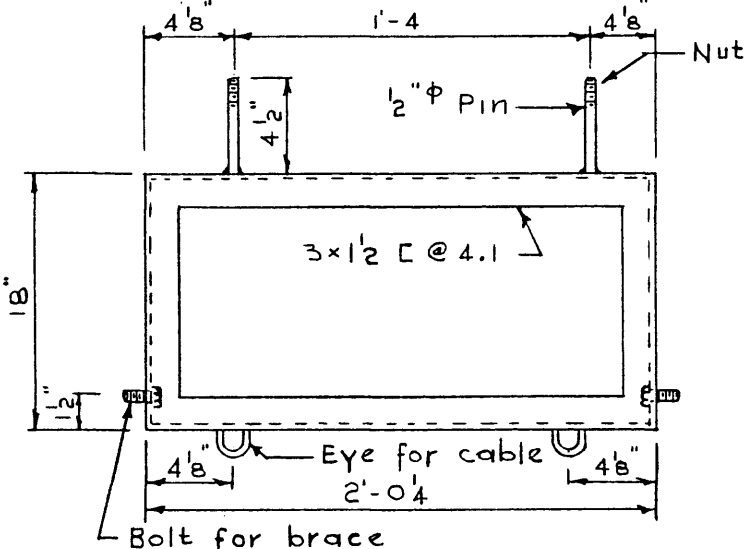
Plan View

Scale 1" = 1'-0"



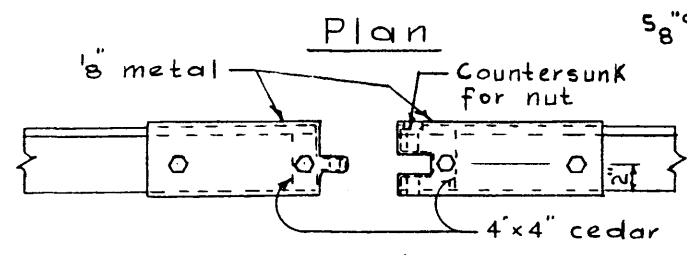
Detail-A-

Scale 3" = 1'-0"



Detail-B-

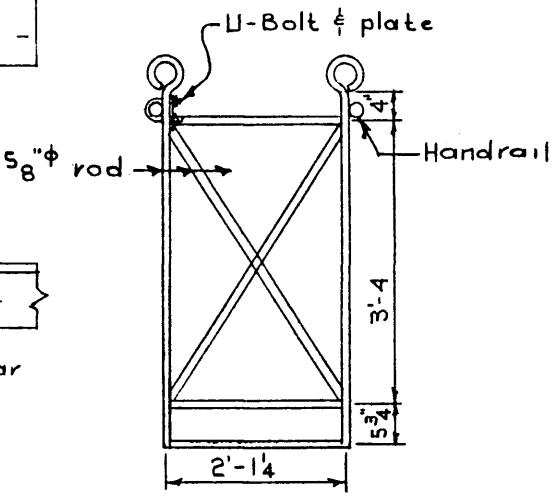
Scale 1/2" = 1'-0"



Elevation

Joint Details

Scale 1" = 1'-0"



Hanger

Scale 1/2" = 1'-0"

Two-Man  
Painting Scaffold

Designed by : J. Short  
Detailed by : F.M.

S-789

AT & U - RECORDS CENTRE  
F19882