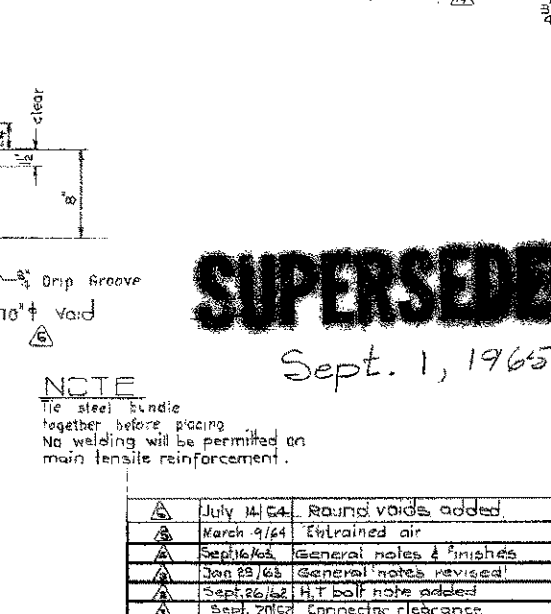
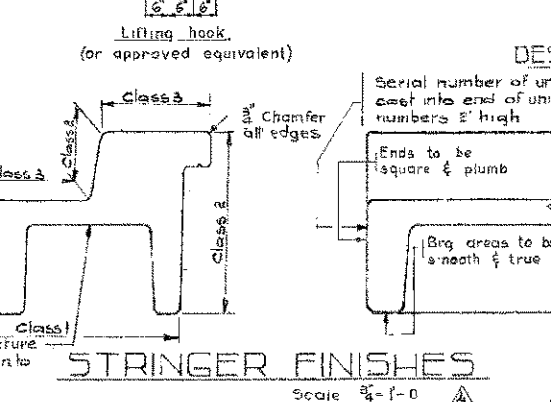
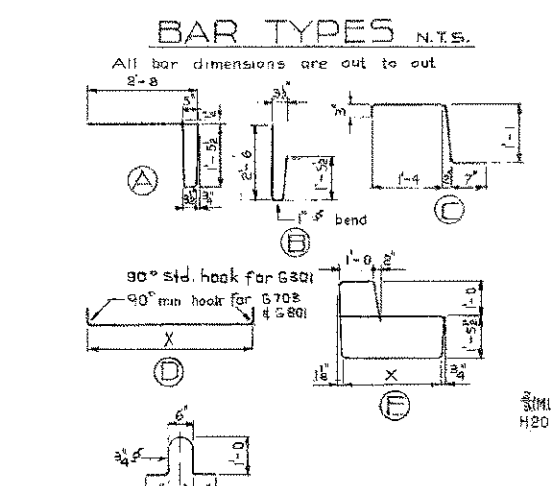


BAR LIST

Mark	Size	Number	Type	X	Length	Weight
S301	3	21	A		6'-0"	47
S302	3	21	B		4'-1"	32
G301	3	4	D	2'-7"	3'-6"	5
G302	3	15	str		2'-6"	13
C301	3	21	C		3'-3"	26
D301	3	6	str		19'-8"	44
D401	4	1	str		19'-8"	13
G601	8	1	D	19'-8"	20'-9"	35
G701	7	1	str		16'-9"	34
G702	7	1	str		19'-0"	34
G703	7	1	D	19'-8"	20'-7"	42
G601	6	1	str		17'-6"	26
S303	3	2	E			

Total 376 lbs

* For skewed stringers only.



GENERAL NOTES

DESIGN

Live Load - A.A.S.H.O. H20 - S16 modified as shown.

Dead Load - includes allowance for 2" wearing surface.

Concrete - to be standard weight aggregates with maximum aggregate size of 1/2 inch. Minimum 28 day compressive strength to be 4000 p.s.i.

CONSTRUCTION

Entrained Air shall be not less than 5%.

Diameters of all bends shall conform to the recommended minimum and all hooks, unless otherwise noted shall conform to the recommended sizes detailed in the A.C.I. Manual of Standard Practice for Detailing Reinforced Concrete Structures.

Each stringer shall have a cast corner of 1/4 inch.

All acute angles on skewed stringers shall have 1/4 inch chamfer.

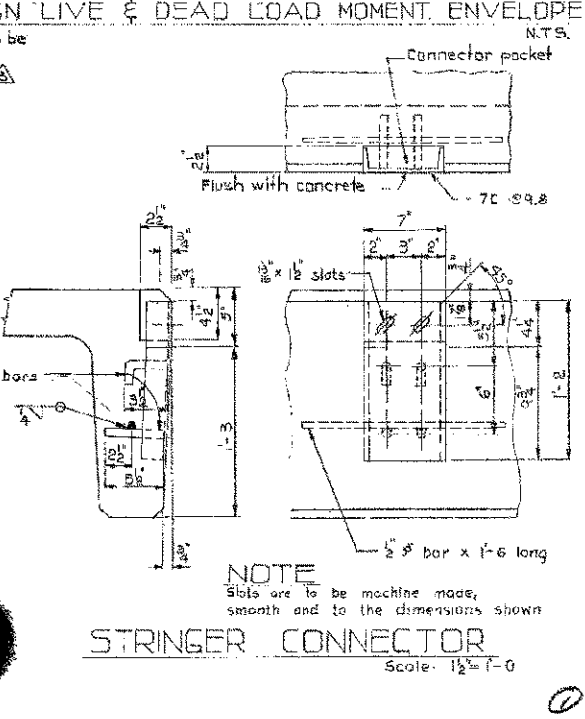
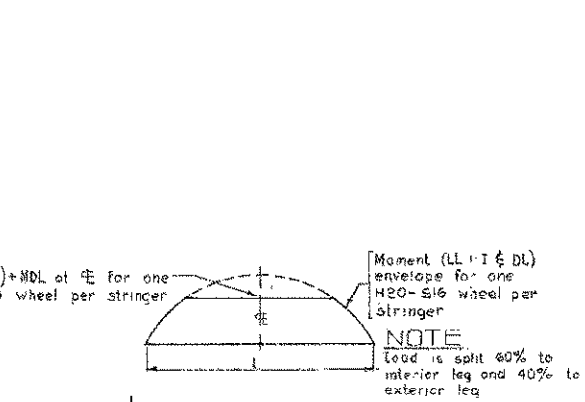
Concrete shall attain at least 30% of the specified 28 day compressive strength before the units are strapped from the forms or lifted.

Each connector is to be allowed one 1/2" x 2" H.T. bolt, one heavy hex semi finished nut and three hardened washers. (Supplied by Dept)

Units are to conform to the requirements of the Alberta Government Specification for the Manufacture of Precast Concrete Bridge Units.

ERECTION

Any free space between the connectors shall be filled with washers.



SUPERSEDED
Sept. 1, 1965

REVISIONS

NO.	DATE	DESCRIPTION	BY
1	July 14/64	Round voids added	L.K.
2	March 9/64	Entrained air	R.Ch.
3	Sept 16/63	General notes & finishes	R.E.
4	Jan 23/63	General notes revised	R.E.
5	Sept 26/62	H.T. bolt note added	R.E.
6	Sept. 20/62	Connector clearance	L.K.

PRECAST CONCRETE
20 FT. SPAN TYPE HC
CURB STRINGER

GOVERNMENT OF THE PROVINCE OF ALBERTA
DEPARTMENT OF HIGHWAYS
BRIDGE BRANCH, EDMONTON

FILE NO. _____ HWY. NO. _____ DWG. NO. 5791
LOCATION _____ SCALE As shown
STREAM _____ SHEET _____ OF _____

DESIGNED BY Robert E. Baker
DATE July 1962
CHECKED BY R.E.
DATE July 1962