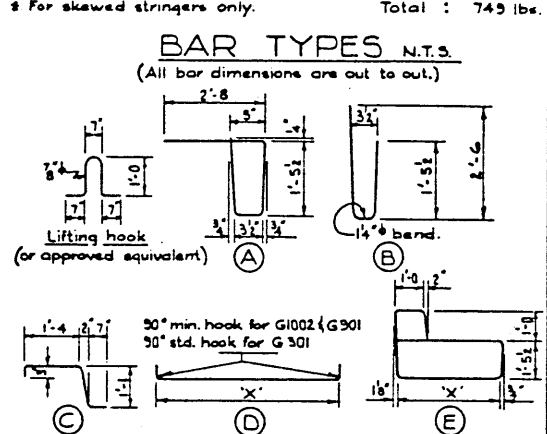


Mark	Size	No	Type	X'	Length	Weight
S 301	3	37	A		6'-0	83
S 302	3	37	B		4'-1	57
C 301	3	31	C		3'-5	38
G 301	3	4	D	2'-7	3'-6	5
G 302	3	31	Str.		2'-8	31
D 301	3	6	Str.		2'-8	62
D 401	4	1	Str.		2'-8	18
G 1001	10	1	Str.		2'-8	119
G 1002	10	1	D	2'-8	2'-1	125
G 901	9	1	D	2'-8	2'-11	98
G 801	8	1	Str.		2'-5	67
G 701	7	1	Str.		2'-6	46
S 303	3	2	E			

For skewed stringers only. Total: 745 lbs.



**GENERAL NOTES**

**DESIGN**

- Live Load - A.A.S.H.O. HS-20-44 modified as shown.
- Dead Load - includes allowance for 2" wearing surface.
- Concrete - to be light weight aggregates with maximum aggregate size of 3/4" inch. Minimum 28 day compressive strength to be 4000 p.s.i. The unit weight of the concrete shall be 105 lbs. per cubic foot plus or minus 5% when unit weight is determined in conformity with the requirements of the specification A.S.T.M. C330.

**CONSTRUCTION**

- Entrained air shall be not less than 5%.
- Diameters of all bands shall conform to the recommended minimums and all hooks, unless otherwise noted shall conform to the recommended sizes detailed in the A.C.I. Manual of Standard Practices for Detailing Reinforced Concrete Structures.
- Each stringer shall have a cast camber of 3/8" inch.
- All acute angles on skewed stringers shall have 3/4" inch chamfer.
- Concrete shall attain at least 30% of the specified 28 day compressive strength before the units are stripped from the forms or lifted.
- Each connector is to be allowed one 3/4"x2" H.T. bolt, one heavy hex semi finished nut and three hardened washers. (Supplied by Dept.)
- Stringers shall conform to the requirements of the Alberta Government Specification for the Manufacture of Precast Concrete Bridge Units.

**ERECTION**

- Any free space between the connectors shall be filled with washers.

Up to 10° skew	10° to 30° skew	30° to 40° skew	40° to 50° skew	50° to 60° skew	60° to 70° skew	70° to 80° skew
3	4	4	4	4	4	4
3	4	4	4	4	4	4
3	4	4	4	4	4	4

**PRECAST CONCRETE 28FT. SPAN TYPE 'HC' CURB STRINGER**

GOVERNMENT OF THE PROVINCE OF ALBERTA  
DEPARTMENT OF HIGHWAYS  
BRIDGE BRANCH, EDMONTON

FILE NO.	HWY. NO.	DWG. NO.
LOCATION	SCALE AS SHOWN	S-792
STREAM	SHEET	OF

REVISIONS

NO.	DATE	DESCRIPTION	BY
1	Jan 26/71	Stud anchors - alternate added	R.W.K.
2	Apr 16/70	Dimension corrected	J.C.Y.
3	Jan. 1969	Re-drawn	P.32