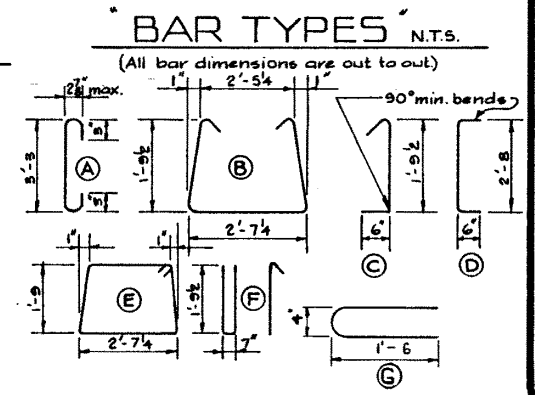
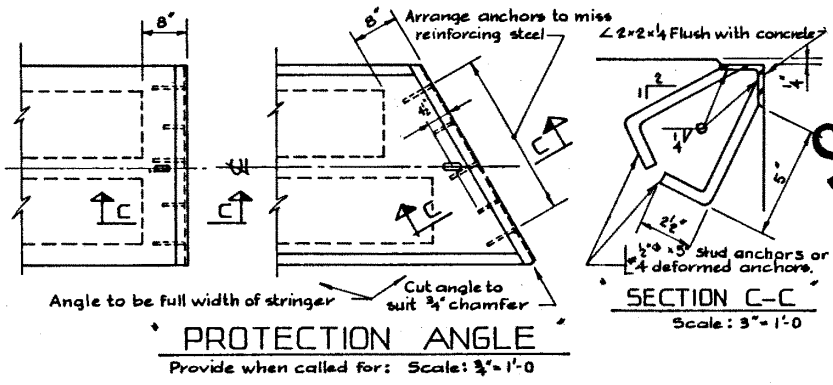
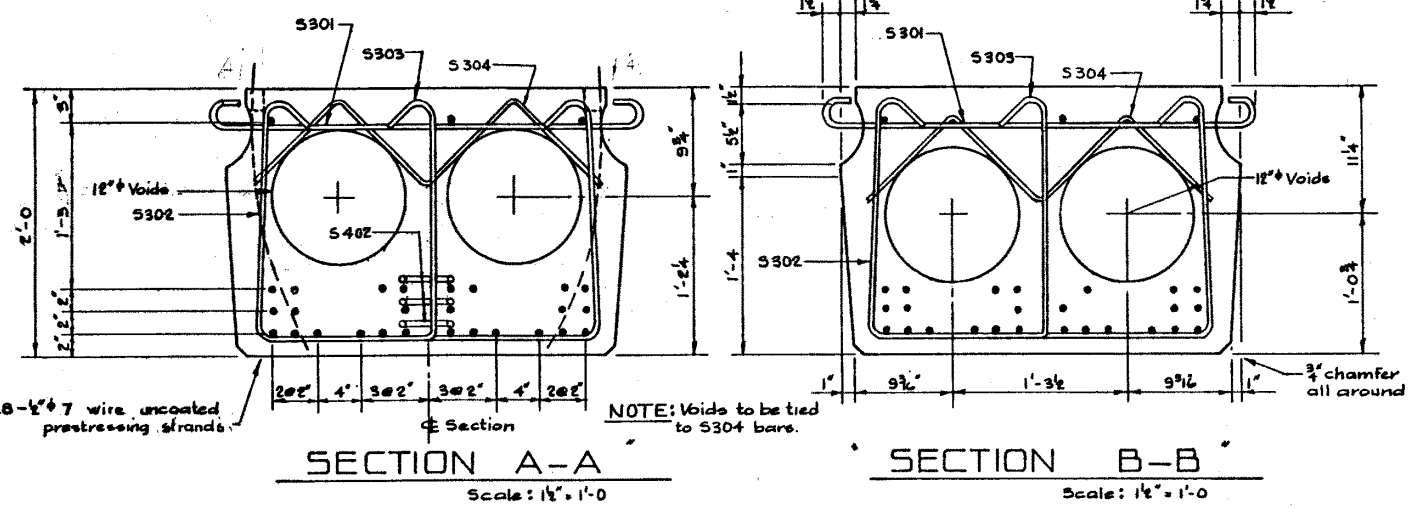
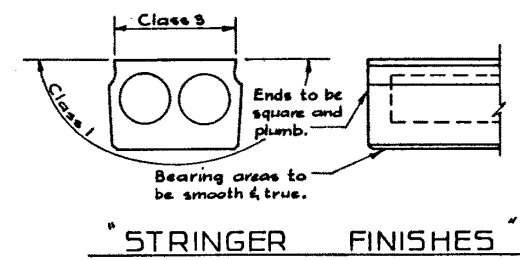
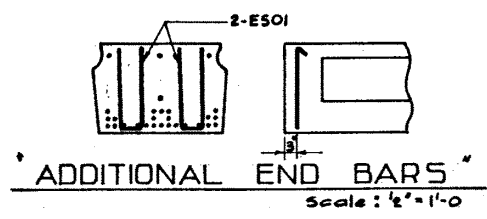
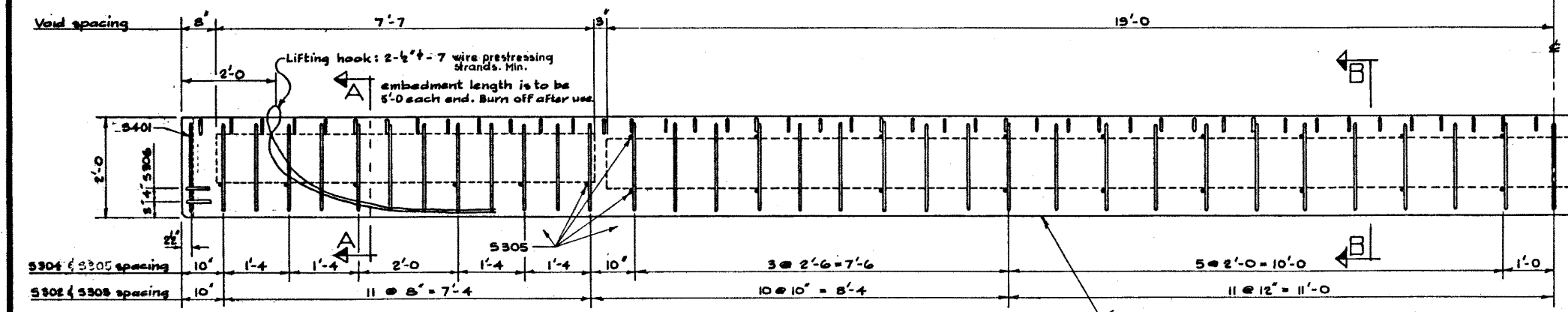
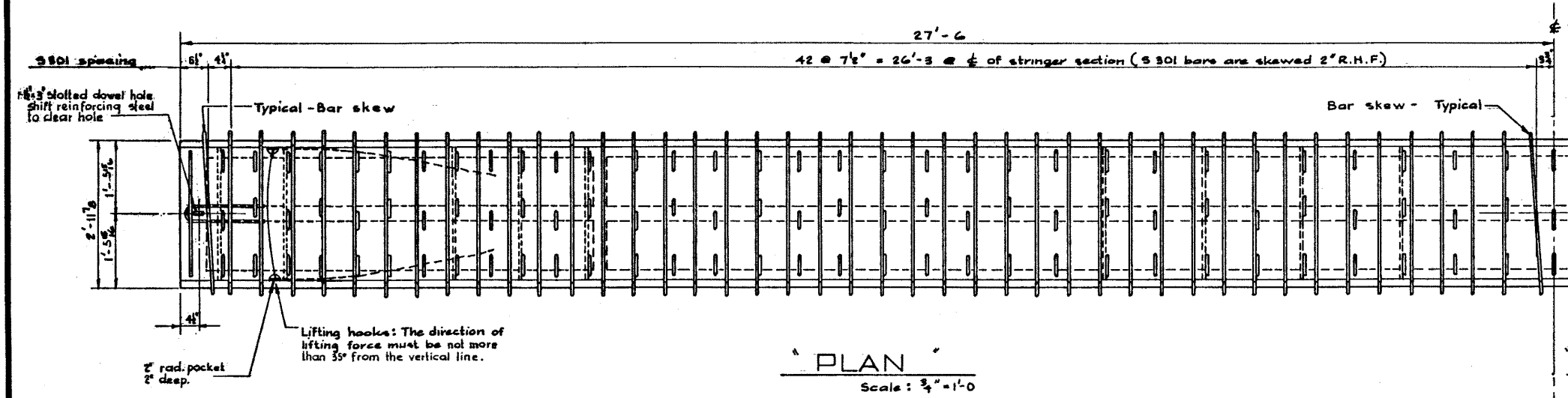


**BAR LIST**

Mark	Size	No.	Type	Length	Weight
S301	3	88	A	4'-0"	132
S302	3	65	B	6'-10"	167
S303	3	65	C	2'-7"	63
S304	3	32	H	3'-10"	46
S306	3	4	D	3'-8"	6
S401	4	2	E	9'-4"	12
E501	5	4	F	5'-2"	22
S402	4	6	G	3'-0"	11
Total:					449 lbs.



**GENERAL NOTES**

DESIGN: A.A.S.T.M. 1961 Specifications except allowable initial concrete stress = 285 p.s.i. in tension.

LOADING: 3/5 of one wheel line of an H20-S16-44 truck plus full dead load plus 2" wearing surface.

MATERIALS: Concrete shall be of standard weight aggregate with a maximum size of 3/4". Minimum compressive strength shall be 5000 p.s.i. at 28 days. Air entrainment shall be not less than 5%.

FABRICATION: Reinforcement: Diameters of all bends and details of all hooks unless otherwise noted shall conform to the recommended sizes detailed in the A.C.I. Manual of Standard Practice for Detailing Reinforced Concrete Structures.

Prestressing Steel: Initial tensioning load = 25.2 k/strand  
Design load = 20.16 k/strand

Concrete must attain 4,000 p.s.i. compressive strength before the prestressing force is transferred.

Anchor bolt assemblies are to be cast in stringer at spacings as required.

Units are to conform to the requirements of the Bridge Branch Specifications for Prestressed Concrete Bridge Units.

The surface of grout keys shall be sandblasted. If end blockouts are called for their surfaces shall be sandblasted.

ERECTOR: Lifting force at each hook must be not more than 35° from the vertical line at all times. Stringer surface must be level at all times.

**SUPERSEDED**

**DRAWING IN USE**

FROM OCT. 15<sup>th</sup> 2015

A PHOTOGRAPH OF TRACING.

PRESTRESSED CONCRETE  
55 FT. SPAN  
TYPE M STRINGER

GOVERNMENT OF THE PROVINCE OF ALBERTA  
DEPARTMENT OF HIGHWAYS  
BRIDGE BRANCH, EDMONTON

NO.	DATE	DESCRIPTION	BY
		Redrawn	S.L.
REVISIONS			

FILE NO. \_\_\_\_\_ HWY. NO. \_\_\_\_\_ DWG. NO. \_\_\_\_\_  
LOCATION \_\_\_\_\_ SCALE AS SHOWN \_\_\_\_\_  
SHEET \_\_\_\_\_ OF \_\_\_\_\_ 5-794-70

DESIGNED BY: D.H. QUAPP  
DATE: July 1962  
CHECKED BY: D.H. QUAPP  
DATE: July 1962

ALBERTA RECORDS SERVICE