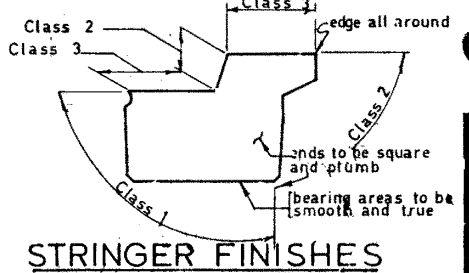
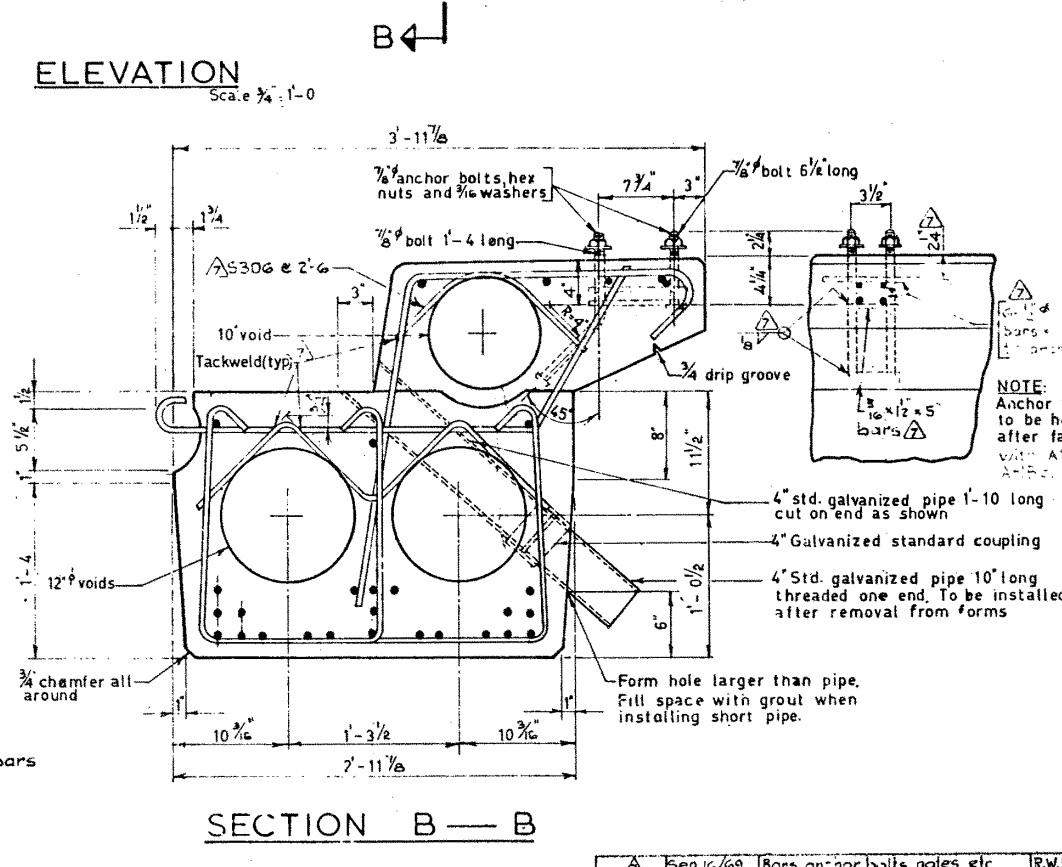
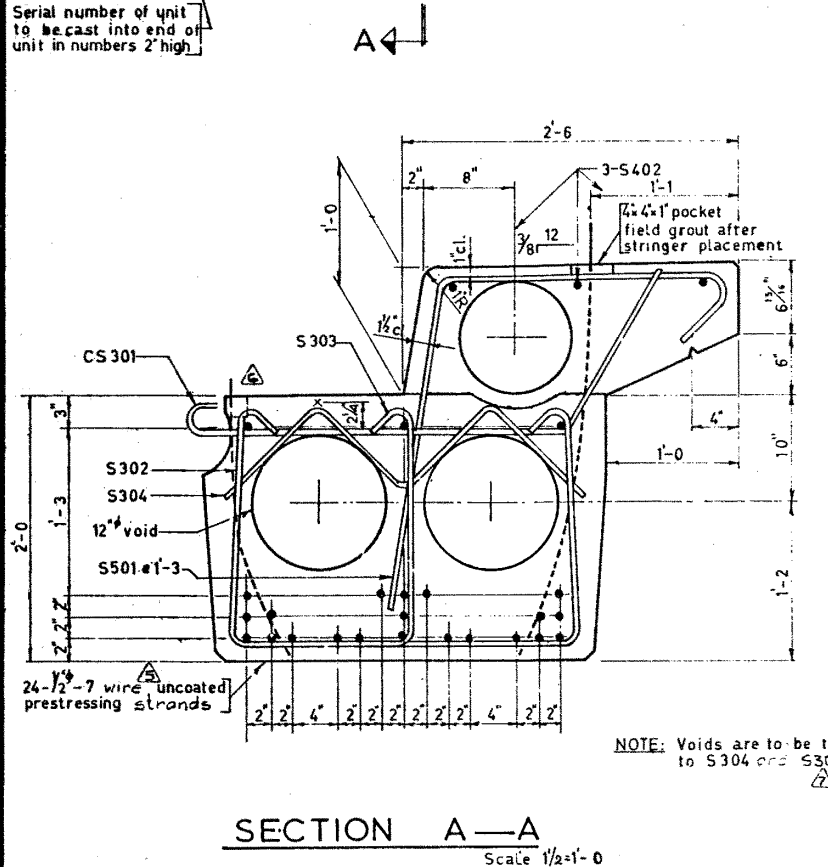
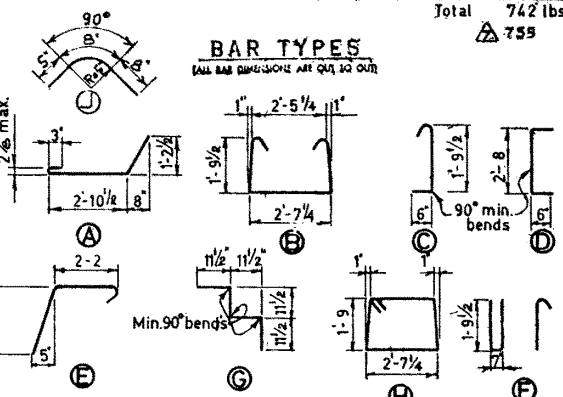
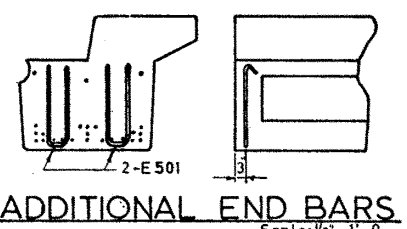
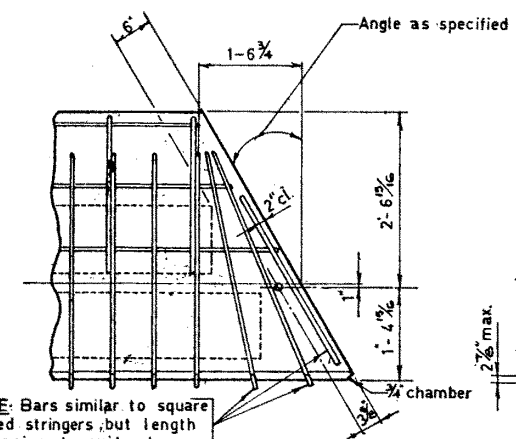
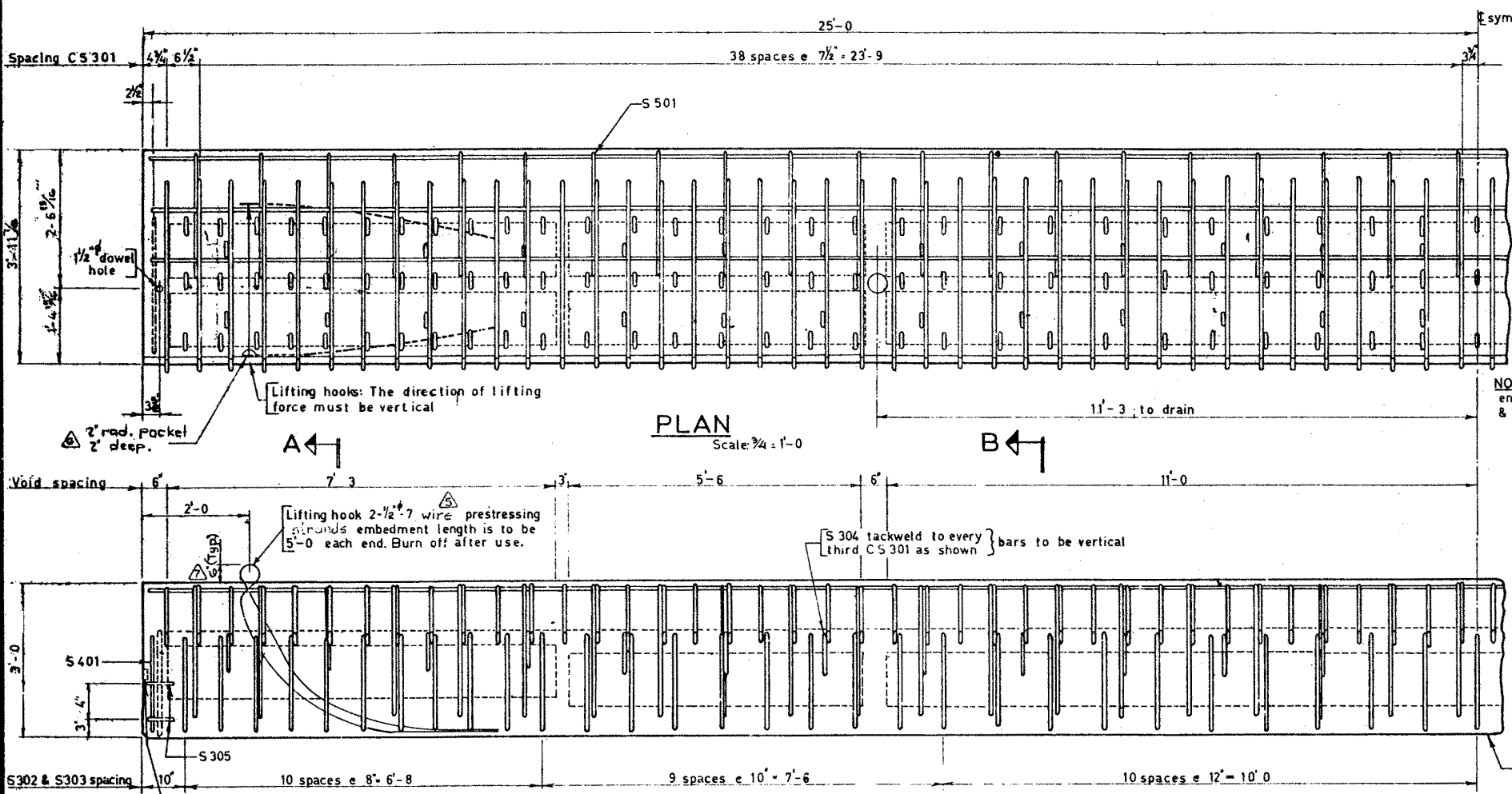


BAR LIST

Mark	Size	No	Type	Length	Weight
CS 301	3	80	A	4'-8"	138
S 302	3	59	B	6'-10"	152
S 303	3	59	C	2'-7"	57
S 304	3	26	G	3'-10"	37
S 305	3	4	D	3'-8"	6
S 401	4	2	H	9'-4"	12
S 402	4	6	Str.	25'-6"	102
S 501	5	40	E	5'-2"	216
E 501	5	4	F	5'-2"	22
S 306	3	20	J	1'-9"	13
Total					742 lbs



SUPERSEDED

PRESTRESSED CONCRETE 50FT. SPAN TYPE "M" CURB STRINGER

GOVERNMENT OF THE PROVINCE OF ALBERTA
DEPARTMENT OF HIGHWAYS
BRIDGE BRANCH, EDMONTON

FILE NO. _____ HWY. NO. _____ DWG. NO. 5-797-69
LOCATION _____ SCALE: Shown SHEET _____ OF _____

No.	DATE	DESCRIPTION	BY	No.	DATE	DESCRIPTION	BY
1	Oct 26/67	Anchor bolt assembly.	R.W.S.	1	Oct 26/67	Anchor bolt assembly.	R.W.S.
2	July 28/67	Release strength chart.	D.A.	2	July 28/67	Release strength chart.	D.A.
3	Feb 20/67	AS. P.M. Spec. added.	D.A.	3	Feb 20/67	AS. P.M. Spec. added.	D.A.
4	Sept 16/66	Redrawn	I.S.	4	Sept 16/66	Redrawn	I.S.

DESIGNED BY: D.H. OUSPP
DATE: August 1962
CHECKED BY: R. ELENBASS
DATE: August 1962