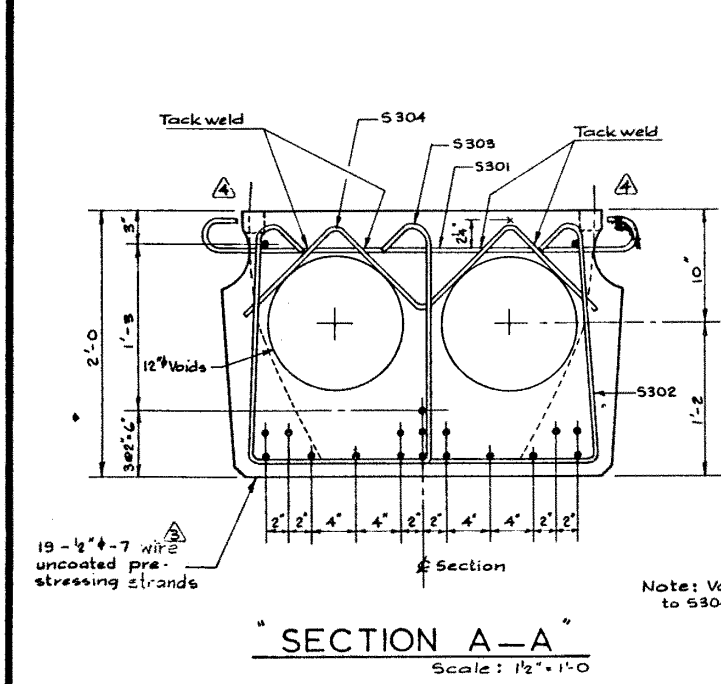
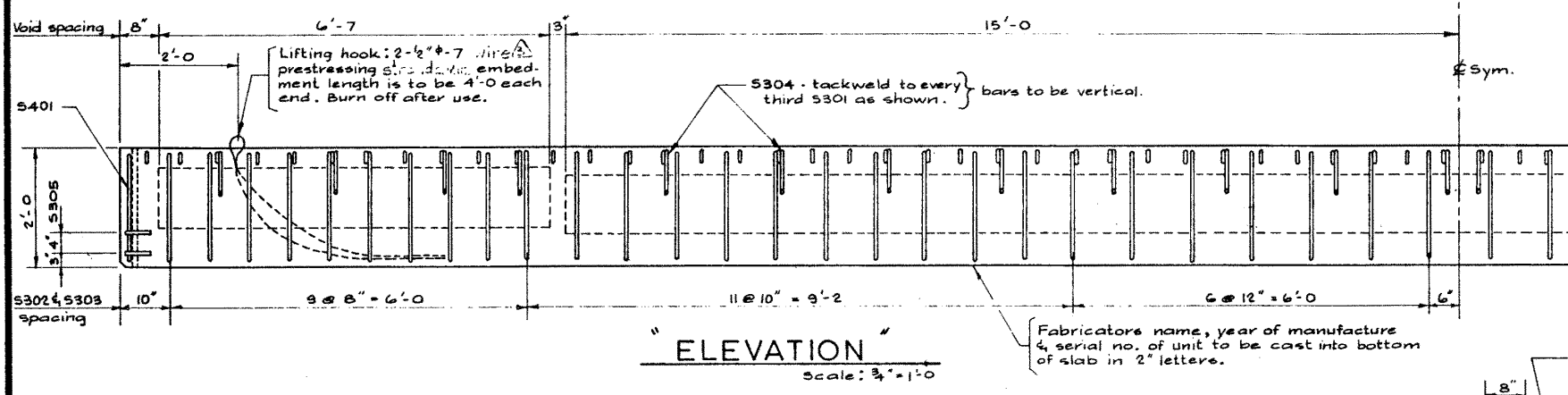
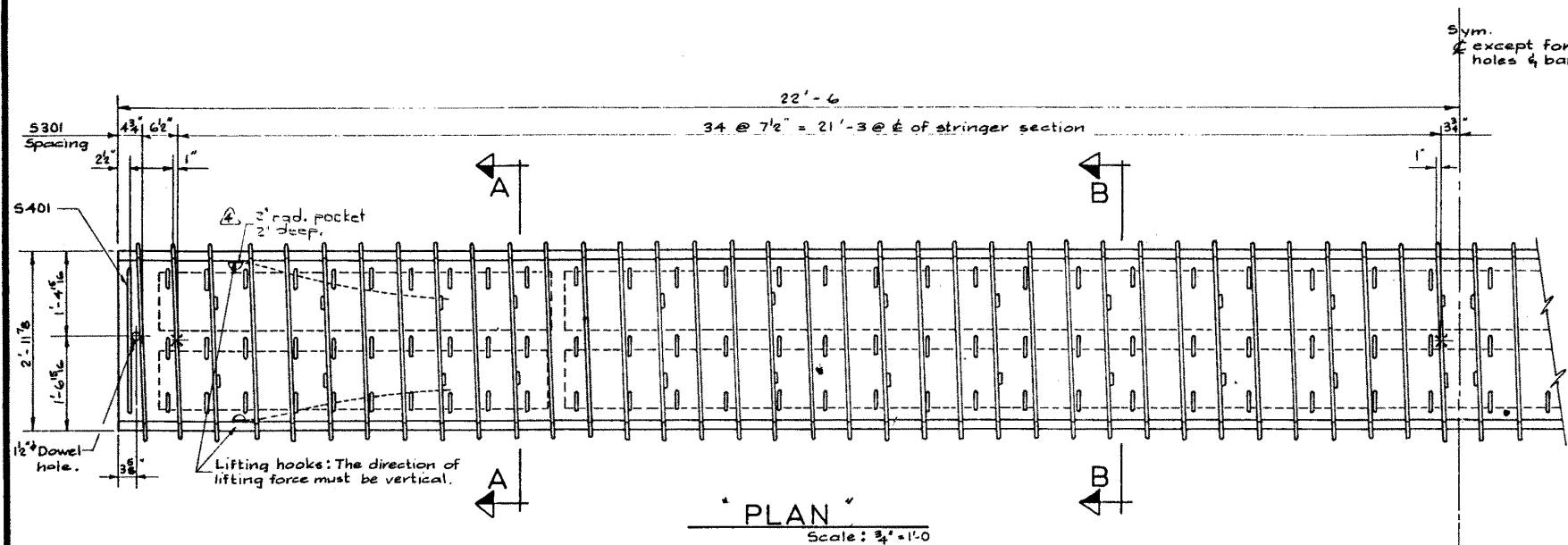
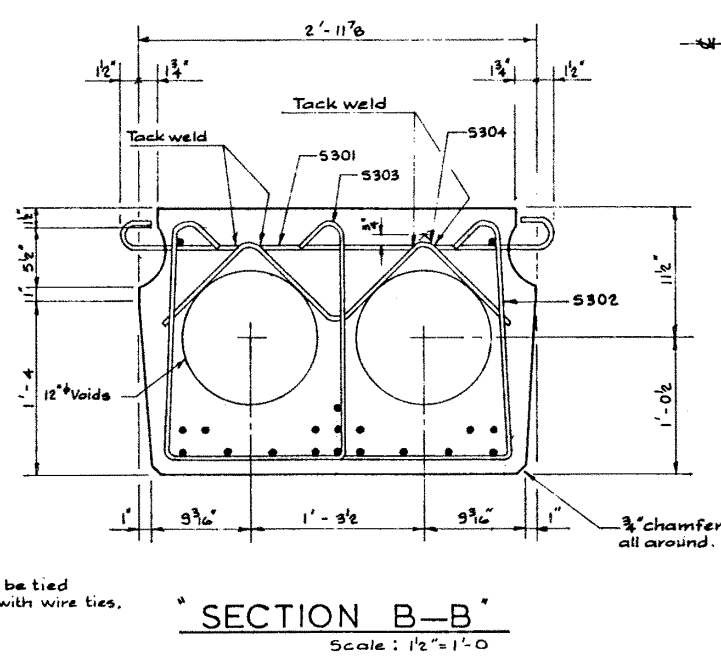


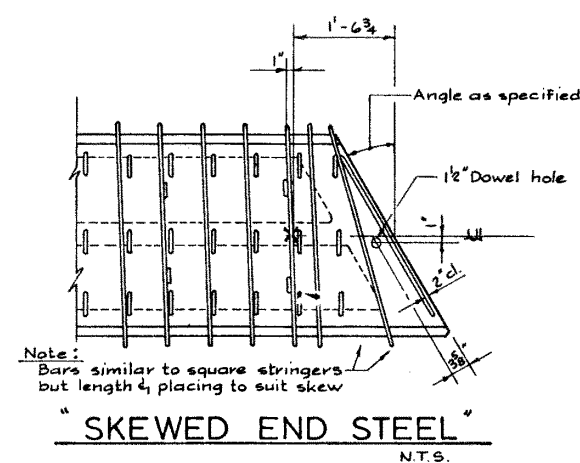
DESIGNED BY D.H. QUAPP DATE July 19 62
 CHECKED BY L. Kehlmann DATE July 19 62



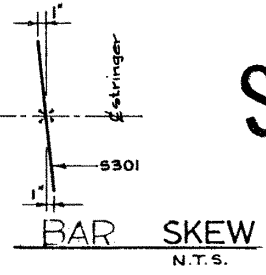
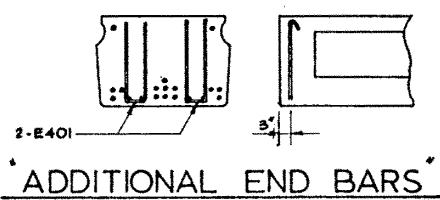
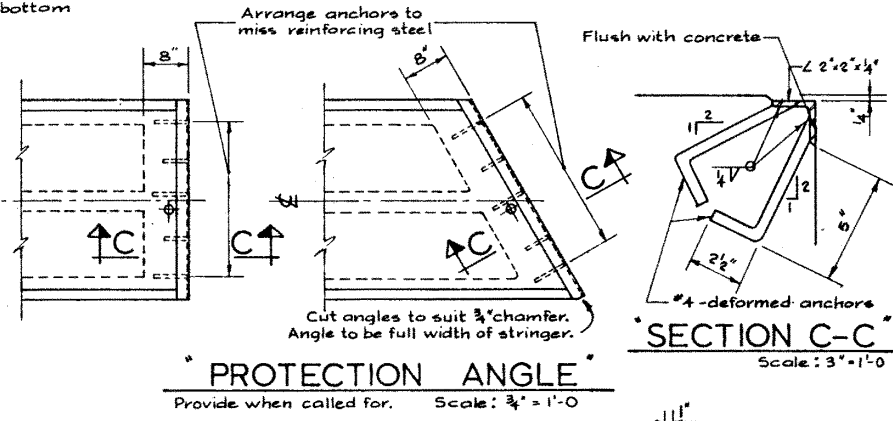
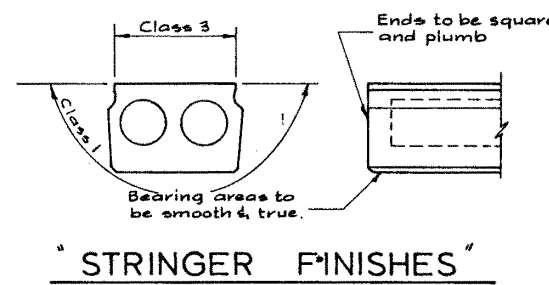
Note: Voids to be tied to S304 bars with wire ties.



Sym. except for dowel holes & bar skew

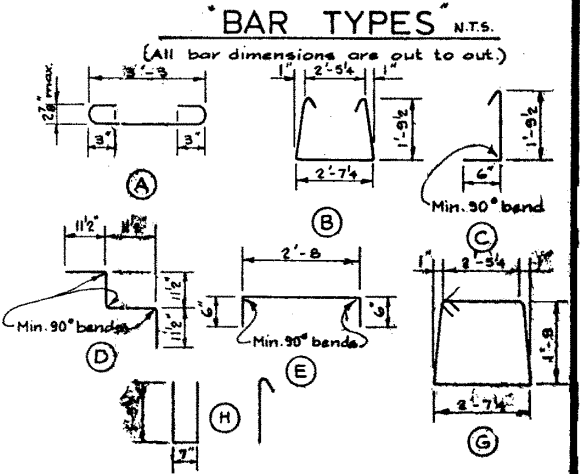


Note: Bars similar to square stringers but length & placing to suit skew



BAR LIST

MARK	SIZE	NO.	TYPE	LENGTH	WEIGHT
S 301	3	72	A	4'-0	108
S 302	3	54	B	6'-10	139
S 303	3	54	C	2'-7	52
S 304	3	24	D	3'-10	35
S 305	3	4	E	3'-8	6
S 401	4	2	G	3'-4	12
E 401	4	4	H	5'-2	14
Total:					366



GENERAL NOTES

DESIGN
 A.A.S.H.O. 1961 Specifications except allowable initial camber stress = 285 p.s.i. in tension.

Loading: 3/5 of one wheel line of an E20-416-46 truck plus full dead load plus 2" wearing surface.

MATERIALS
 Concrete shall be of standard weight aggregate with a maximum size of 3/4". Minimum compressive strength shall be 3000 p.s.i. at 28 days. Air entrainment to be not less than 5%.

FABRICATION
 Reinforcement: Diameters of all bars shall conform to the recommended sizes and all bars, unless otherwise noted shall conform to the recommended sizes detailed in the A.C.I. Manual of Standard Practice for Detailing Reinforced Concrete Structures.
 Prestressing Steel: Initial tensioning load = 25.0 k/cable
 Design Load = 20.16 k/cable
 Concrete must attain 4,000 p.s.i. compressive strength before the prestressing force is transferred.
 Anchor bolt assemblies are to be cast in stringer at spacing as required.
 Units are to conform to the requirements of the Bridge Design Specifications for Prestressed Concrete Bridges.

The surface of grout keys shall be sandblasted. If end blocks are called for their surfaces shall be sandblasted.

ERECTION
 Lifting force at each hook must be maintained at all times. Stringer surface must be level at all times.

SUPERSEDED
 BY 5-798-70
 BRIDGE ENGINEER

PRESTRESSED CONCRETE
45 FT. SPAN
TYPE 'M' STRINGER

GOVERNMENT OF THE PROVINCE OF ALBERTA
 DEPARTMENT OF HIGHWAYS
 BRIDGE BRANCH, EDMONTON

NO.	DATE	DESCRIPTION	BY
1	Oct. 22/69	Sandblasting	R.W.K.
2	Feb. 10/68	Lifting hook	L.K.
3	Feb. 22/68	Prestressing strands	R.C.
4	July 28/67	Release strength changed	D.A.
5	Sept 16/66	Redrawn	V.B.

REVISIONS

FILE NO. _____ REV. NO. _____ DWS. NO. _____
 LOCATION _____ SCALE AS SHOWN _____ SHEET 5-798-69 OF _____