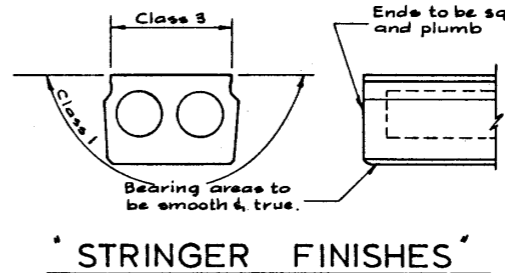
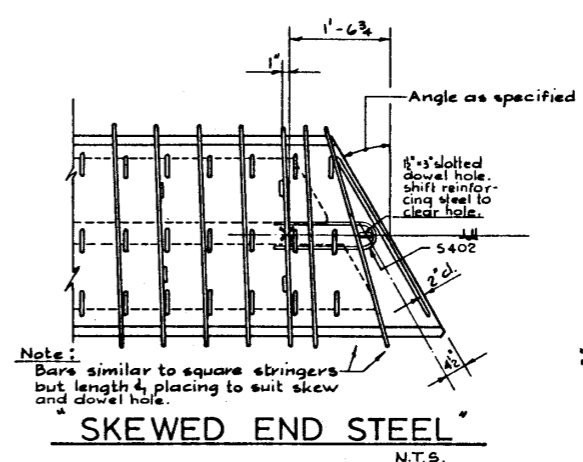
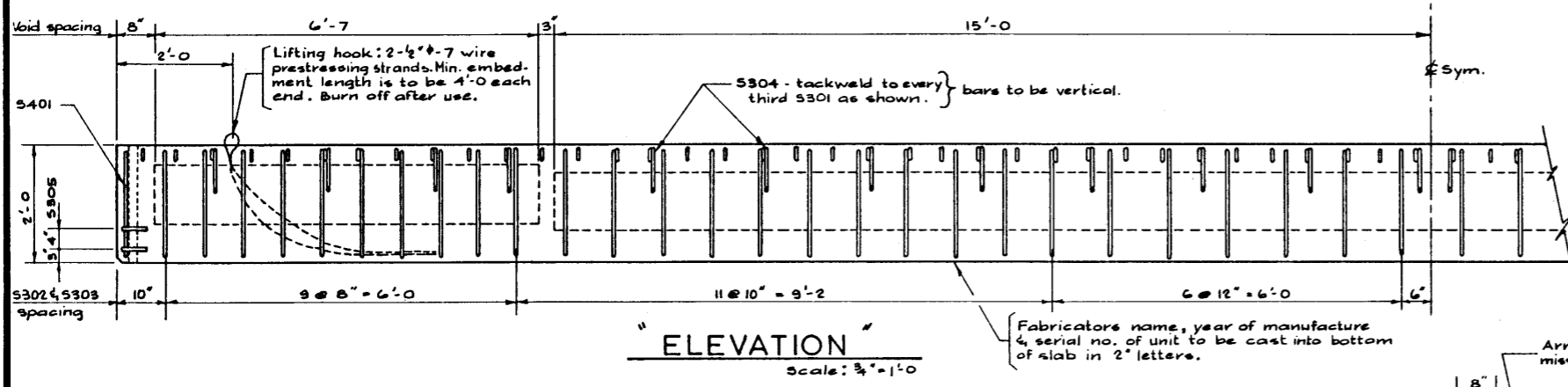
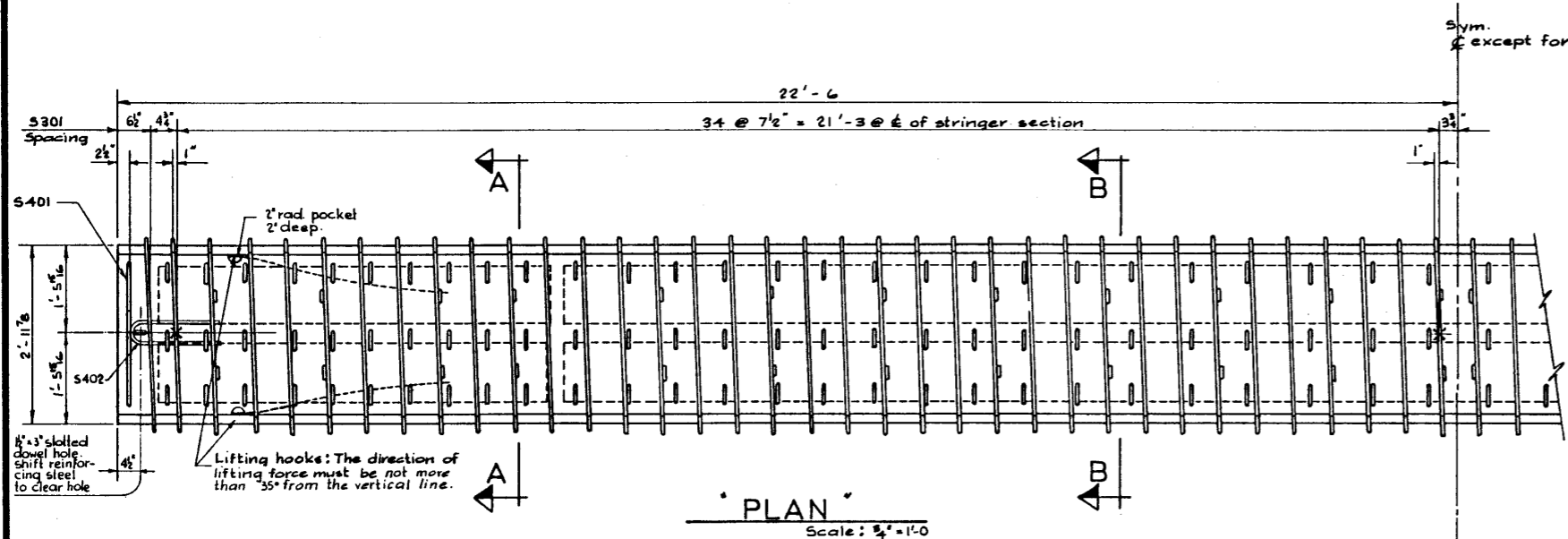
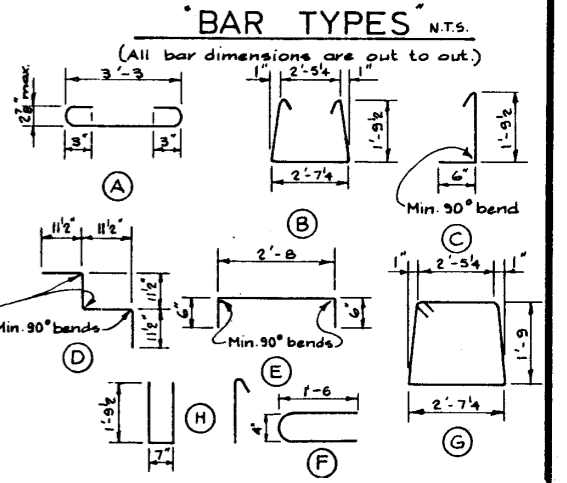


DESIGNED BY D.H. QUAPP DATE July 19 62
 CHECKED BY L. Kohlmann DATE July 19 62



BAR LIST

| MARK | SIZE | NO. | TYPE | LENGTH | WEIGHT |
|-------|------|-----|------|--------|--------------|
| S 301 | 3 | 72 | A | 4'-0 | 108 |
| S 302 | 3 | 54 | B | 6'-10 | 139 |
| S 303 | 3 | 54 | C | 2'-7 | 52 |
| S 304 | 3 | 24 | D | 3'-10 | 35 |
| S 305 | 3 | 4 | E | 3'-8 | 6 |
| S 401 | 4 | 2 | G | 9'-4 | 12 |
| E 401 | 4 | 4 | H | 5'-2 | 14 |
| S 402 | 4 | 6 | F | 3'-2 | 13 |
| | | | | | Total: 379 # |



GENERAL NOTES

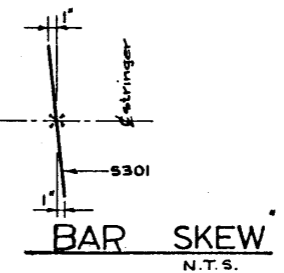
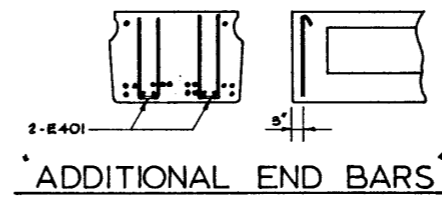
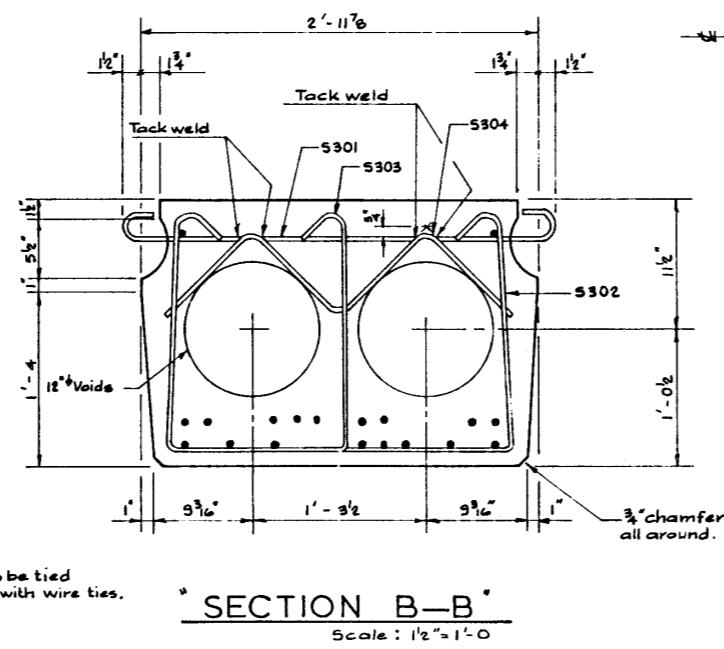
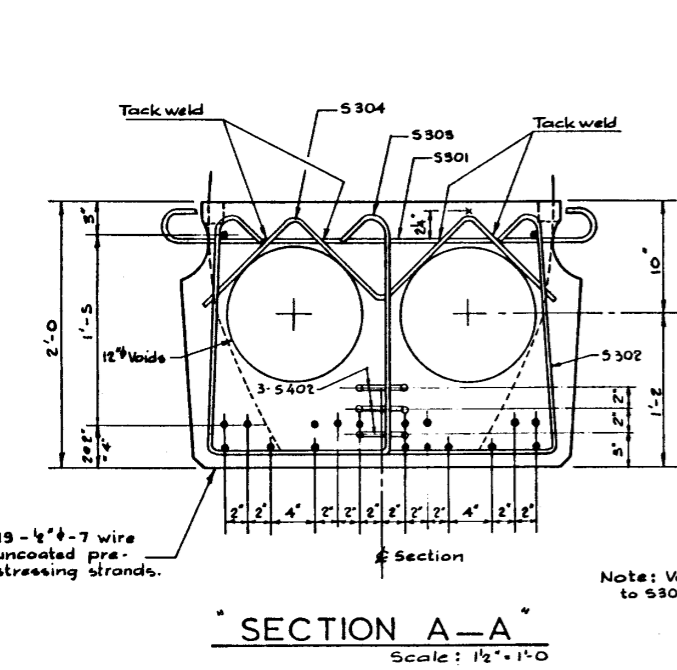
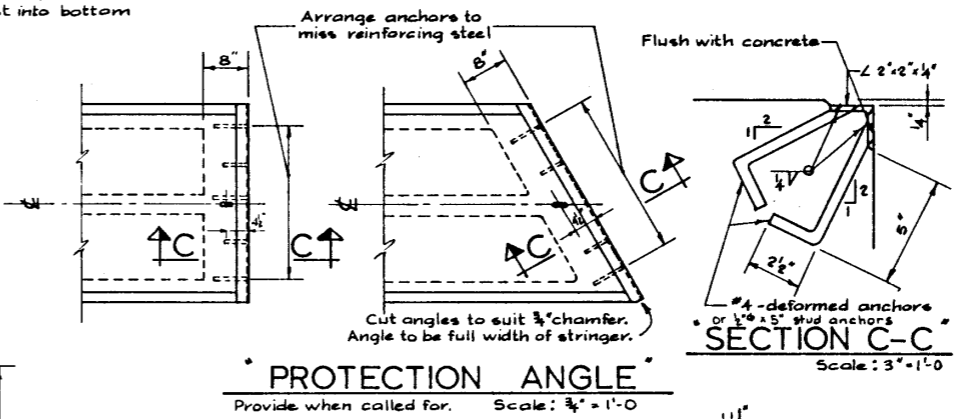
DESIGN
 A.A.S.H.O. 1961 Specifications except allowable initial concrete stress = 285 p.s.i. in tension.
 Loading: 3/5 of one wheel line of an H20-S16-44 truck plus full dead load plus 2" wearing surface.

MATERIALS
 Concrete shall be of standard weight aggregate with a maximum size of 3/4". Minimum compressive strength shall be 5000 p.s.i. at 28 days. Air entrainment shall be not less than 5%.

FABRICATION
 Reinforcement: Diameters of all bends and details of all hooks unless otherwise noted shall conform to the recommended sizes detailed in the A.C.I. Manual of Standard Practice for Detailing Reinforced Concrete Structures.
 Prestressing Steel: Initial tensioning load = 25.2 k/Strand
 Design load = 20.16 k/Strand
 Concrete must attain 4,000 p.s.i. compressive strength before the prestressing force is transferred.
 Anchor bolt assemblies are to be cast in stringer at spacings as required.

Units are to conform to the requirements of the Bridge Branch Specifications for Prestressed Concrete Bridge Units. The surface of grout keys shall be sandblasted. If end blockouts are called for their surfaces shall be sandblasted.

ERECTION
 Lifting force at each hook must be not more than 35° from the vertical line at all times. Stringer surface must be level at all times.



SUPERSEDED

APPROVED [Signature] 08/19/70

SUPERSEDED BY 5-798-73

PRESTRESSED CONCRETE
 45 FT. SPAN
 TYPE "M" STRINGER

GOVERNMENT OF THE PROVINCE OF ALBERTA
 DEPARTMENT OF HIGHWAYS
 BRIDGE BRANCH, EDMONTON

| NO. | DATE | DESCRIPTION | BY |
|-----|---------------|-------------|------|
| | Oct. 28, 1970 | Redrawn | S.L. |

FILE NO. _____ HWY. NO. _____ DWG. NO. _____
 LOCATION _____ SCALE As shown _____ SHEET _____ OF _____