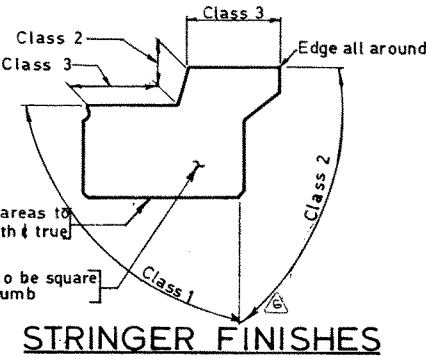
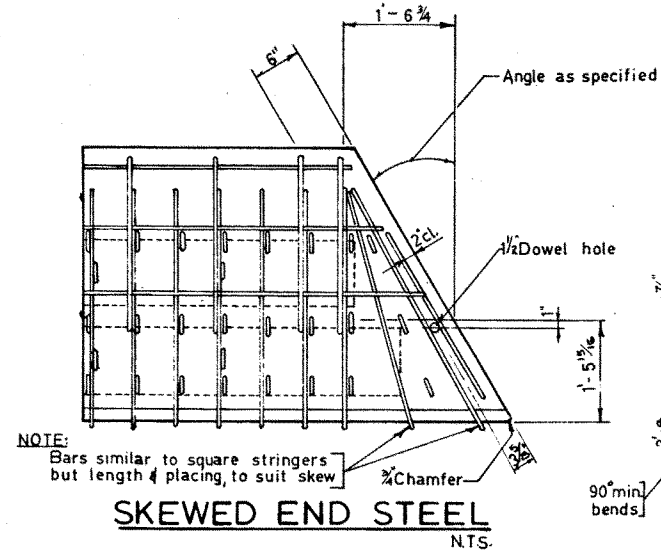
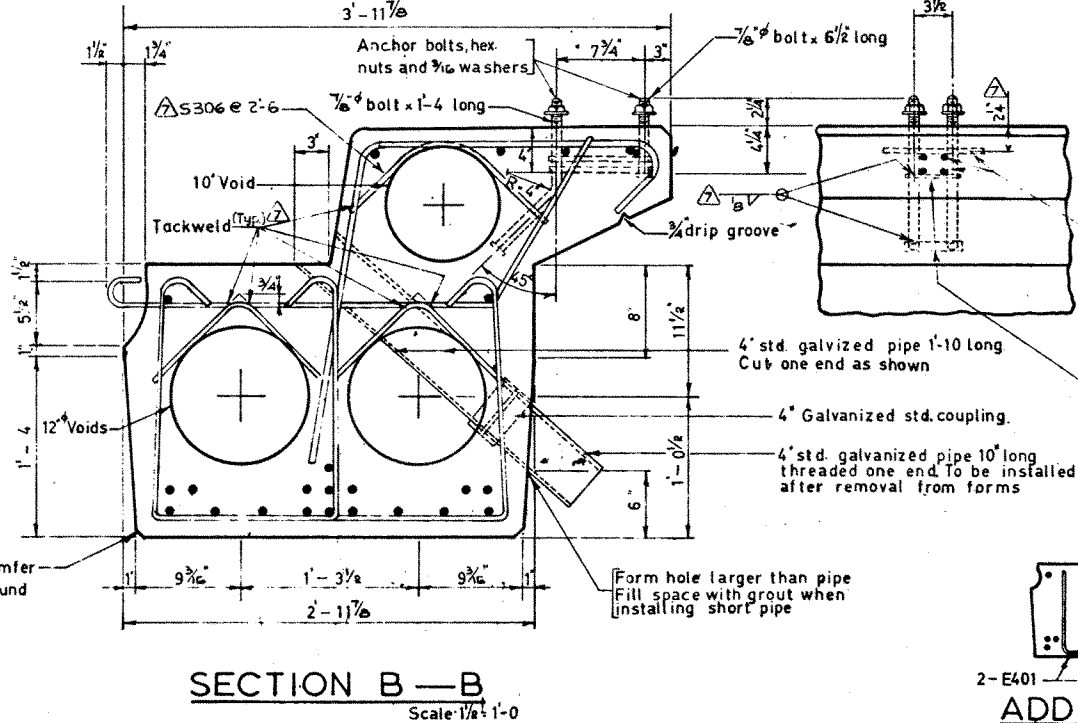
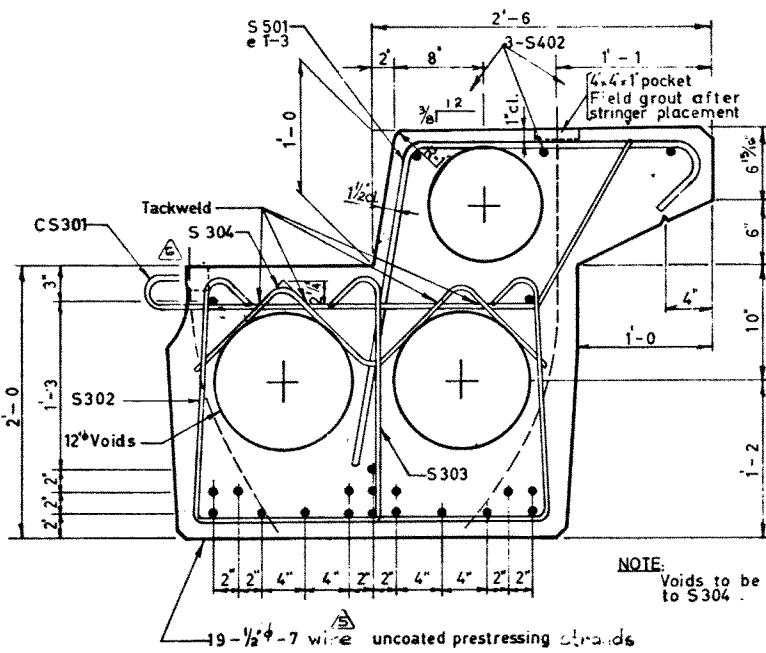
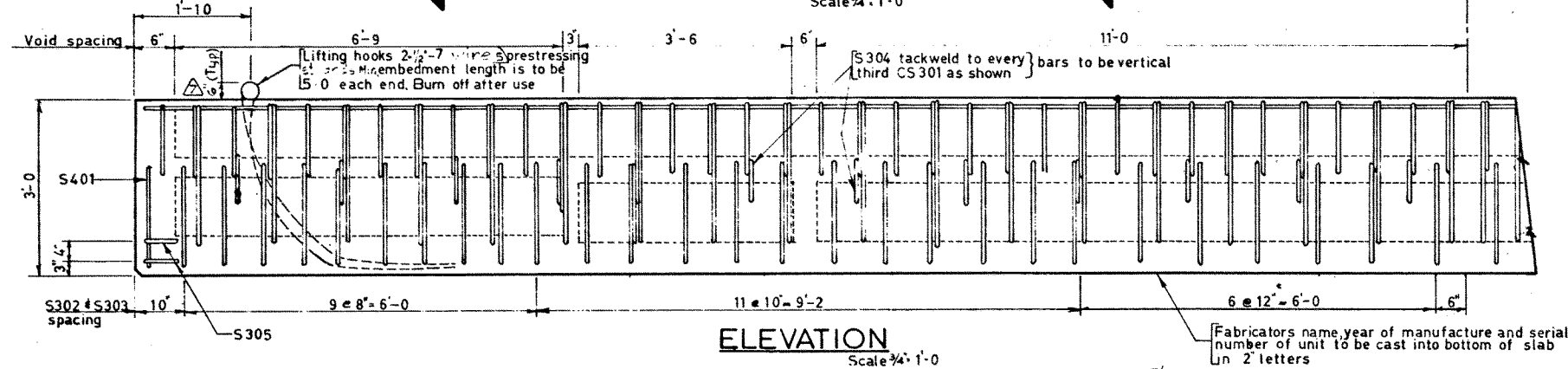
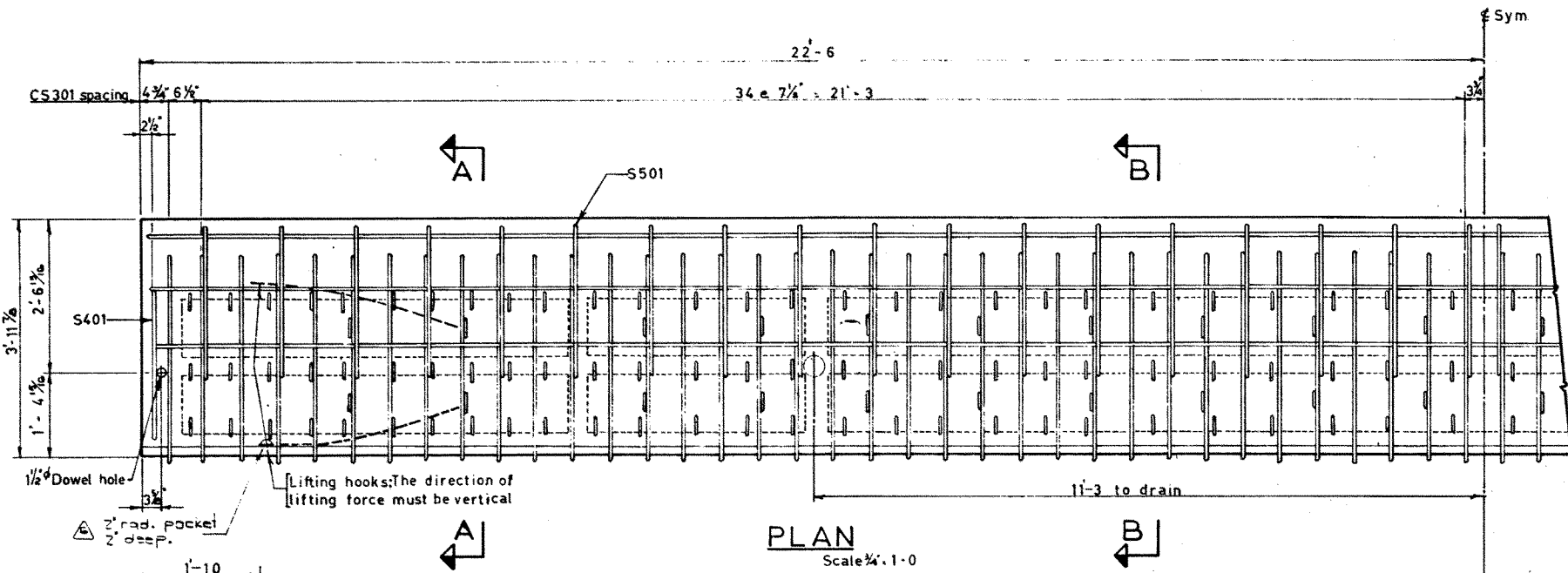
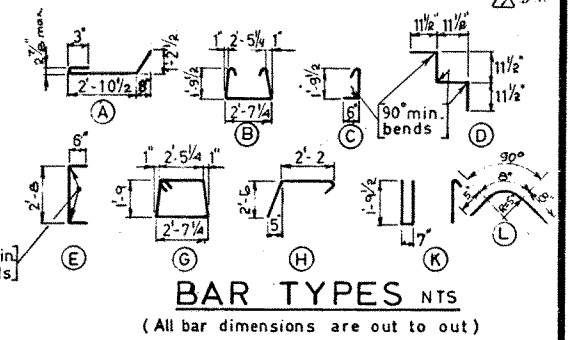


DESIGNED BY D.H. QUAPP 1962
 DATE AUG. 1962
 CHECKED BY L. KOHLMANN 1962
 DATE AUG. 1962



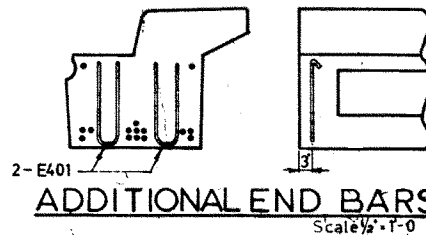
BAR LIST					
Mark	Size	No	Type	Length	Weight
CS 301	3	72	A	4'-7	124
S 302	3	54	B	6'-10	139
S 303	3	54	C	2'-7	52
S 304	3	24	D	3'-10	35
S 305	3	4	E	3'-8	6
S 401	4	2	G	9'-4	12
S 402	4	6	Str	23'-0	92
S 501	5	36	H	5'-2	194
E 401	4	4	K	5'-2	14
S 306	3	18	L	1'-9	12
Total lbs					668



GENERAL NOTES

- 1. All dimensions are in feet and inches. Round up to the next higher inch.
- 2. All reinforcement shall be Class 3 unless otherwise specified.
- 3. All reinforcement shall be placed in accordance with the provisions of the Canadian Code of Practice for the Design and Construction of Reinforced Concrete Structures.
- 4. All reinforcement shall be placed in accordance with the provisions of the Canadian Code of Practice for the Design and Construction of Reinforced Concrete Structures.
- 5. All reinforcement shall be placed in accordance with the provisions of the Canadian Code of Practice for the Design and Construction of Reinforced Concrete Structures.
- 6. All reinforcement shall be placed in accordance with the provisions of the Canadian Code of Practice for the Design and Construction of Reinforced Concrete Structures.
- 7. All reinforcement shall be placed in accordance with the provisions of the Canadian Code of Practice for the Design and Construction of Reinforced Concrete Structures.
- 8. All reinforcement shall be placed in accordance with the provisions of the Canadian Code of Practice for the Design and Construction of Reinforced Concrete Structures.
- 9. All reinforcement shall be placed in accordance with the provisions of the Canadian Code of Practice for the Design and Construction of Reinforced Concrete Structures.
- 10. All reinforcement shall be placed in accordance with the provisions of the Canadian Code of Practice for the Design and Construction of Reinforced Concrete Structures.

SUPERSEDED
 BY 5-799-70



NO.	DATE	DESCRIPTION	BY
1	Feb. 1959	Lifting hook & surface finish	L.K.
2	Feb. 23/62	Prestressing strands	R.Ch
3	Oct. 26/67	Anchor bolt assembly	B.W.R.
4	July 28/67	Release strength changed	D.A.
5	Feb. 7/71	As per spec. change	J.S.
6	Sept. 29/66	Redrawn	J.S.
7	Sept. 14/69	Bars, anchor bolts, notes, etc.	RWK

PRESTRESSED CONCRETE
45 FT. SPAN
TYPE "M" CURB STRINGER

GOVERNMENT OF THE PROVINCE OF ALBERTA
 DEPARTMENT OF HIGHWAYS
 BRIDGE BRANCH, EDMONTON

HWY. NO. _____ SCALE AS SHOWN _____ DWS. NO. _____
 SHEET 25 OF 5-799-69