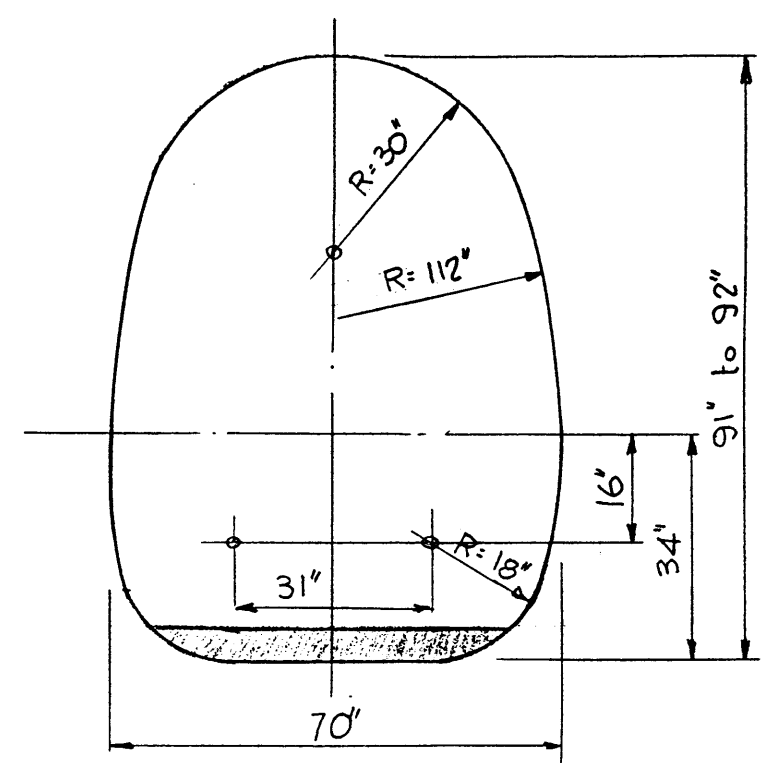


78Pi - UNDERPASS




87Pi - UNDERPASS

Concrete floor to have 4" nominal thickness
 Area of concrete 1 square foot

NOTE:

Dimensions shown are to inside crests.

 PROVINCE OF ALBERTA DEPARTMENT OF HIGHWAYS AND TRANSPORT BRIDGE BRANCH				
SPCMP - UNDERPASS SHAPE AND DIMENSIONS				
LOCATION	DATE	FILE No.	SHEET	DWG. No.
			OF	S-802