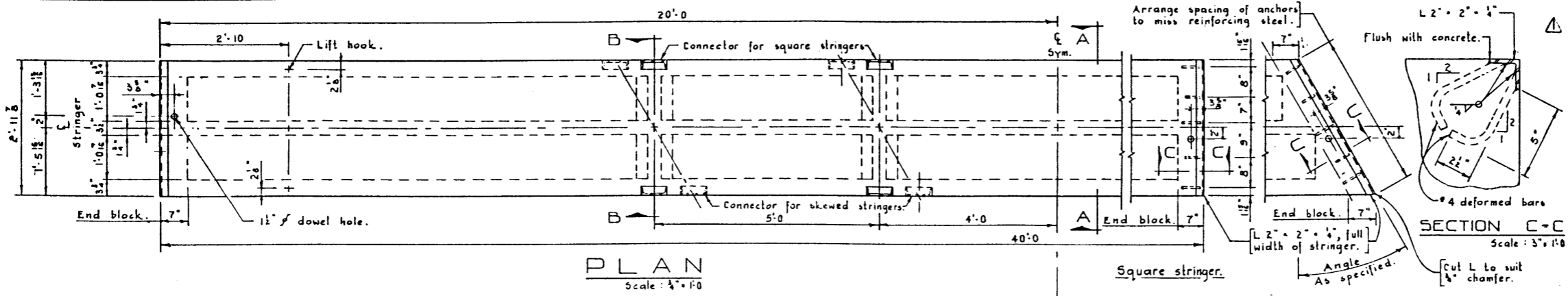


DESIGNED BY: Robert E. Belter. DATE: June 19 62  
 CHECKED BY: B.V. Sawicki. DATE: Aug. 14 19 62



**-GENERAL NOTES-**

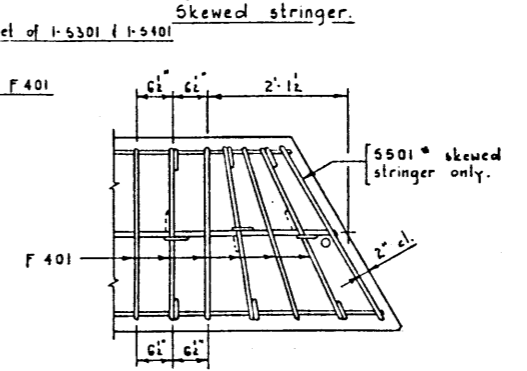
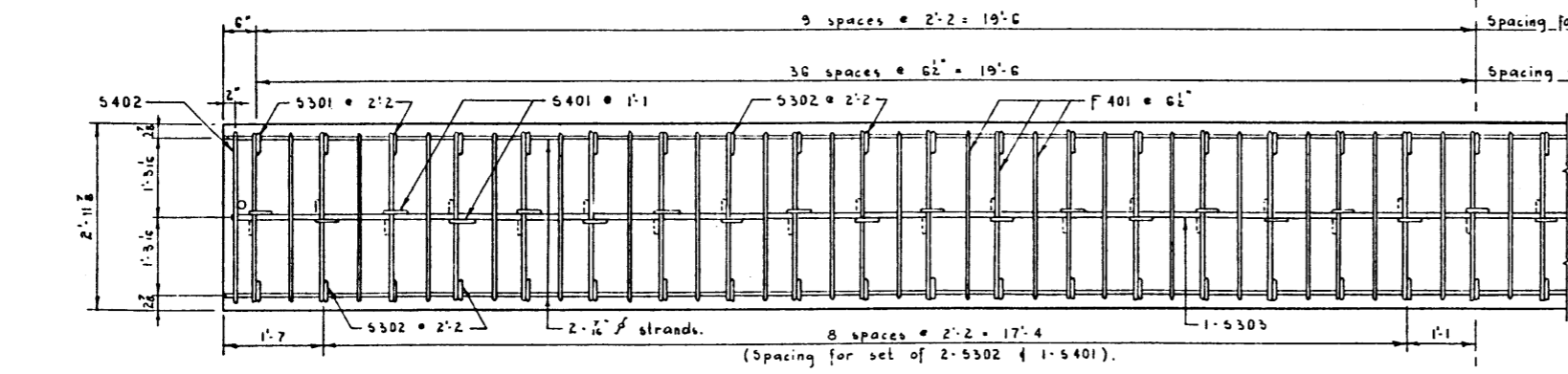
**DESIGN**  
 Live Load - A.A.S.H.O. - 1961 Specification, modified as shown.  
 Dead Load - includes allowance for 2" wearing surface.

**MATERIALS**  
 Concrete shall be of standard weight aggregate with maximum size of 3/4". Minimum compressive strength shall be 5000 p.s.i. @ 28 days.  
 Entrained air shall fall between the limits of 4.5% - 1%.

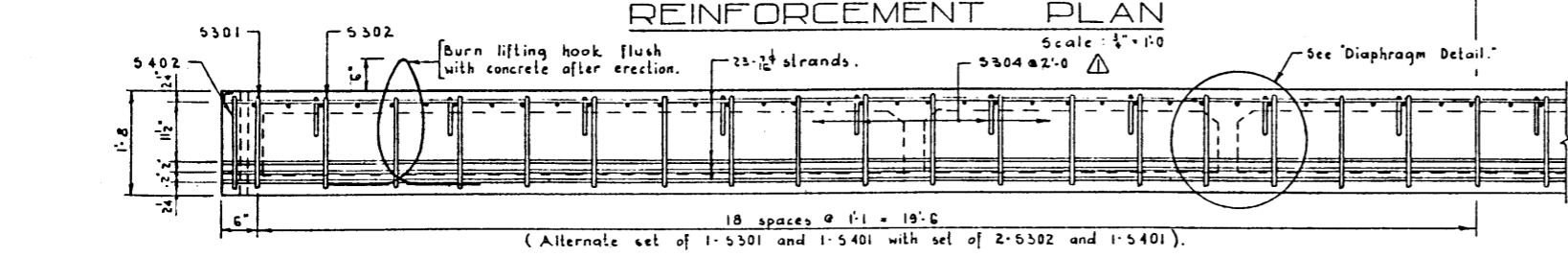
**FABRICATION**  
 All acute corners on skewed bridges to have 2" chamfer.  
 Reinforcement - Diameters of all bars shall conform to the recommended minimums, and all hooks, unless otherwise noted shall conform to the recommended sizes detailed in the A.C.I. Manual of Standard Practice for Detailing Reinforced Concrete Structures.  
 Prestressing Steel - Initial jack forces shall be 18.9 k/ cable. Concrete must attain (4000) p.s.i. compressive strength before the prestressing force is transferred.  
 Each connector is to be supplied with one 2" x 2" high tensile bolt, one heavy hex seal-finished nut and three hardened washers.

Units are to conform to the requirements of the Alberta Government Specification for the Manufacture of Prestressed Concrete Bridge Units.

**ERECTION**  
 - Lifting force at each hook is to be vertical.  
 - Stringer surface to be level at all times.  
 - Any free space between connectors shall be filled with washers.



**NOTE**  
 All other details to conform to those shown for square stringers. (On skewed stringers, the lifting holes are to be placed 17:2 from the mid-point of the unit.)

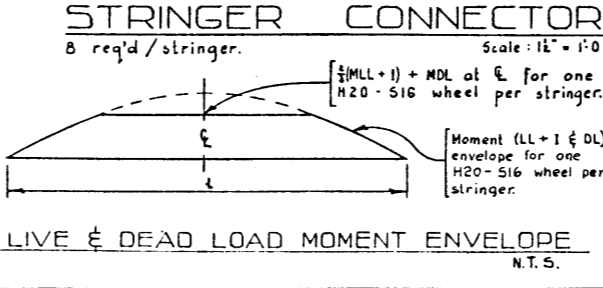
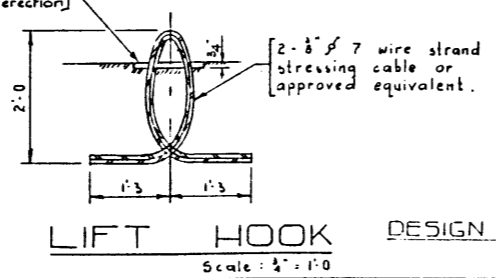
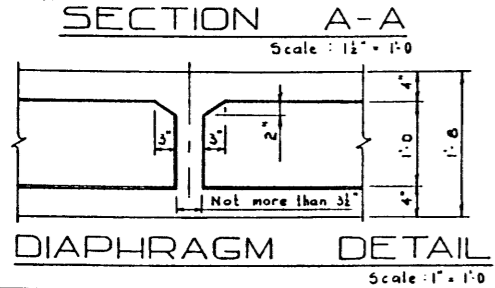
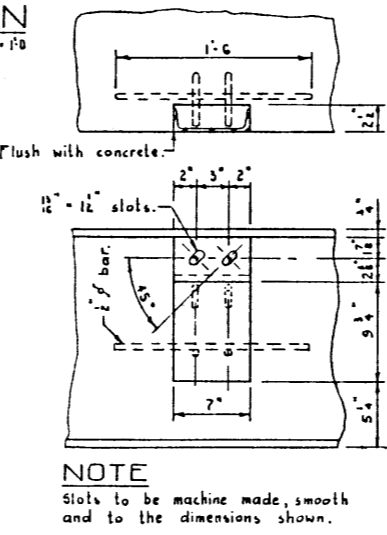
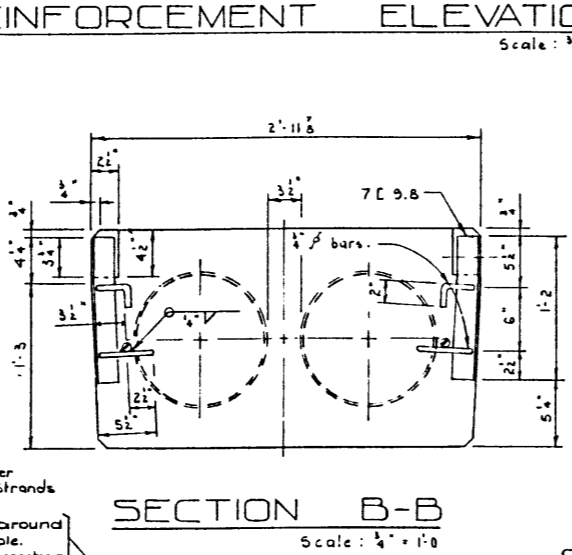
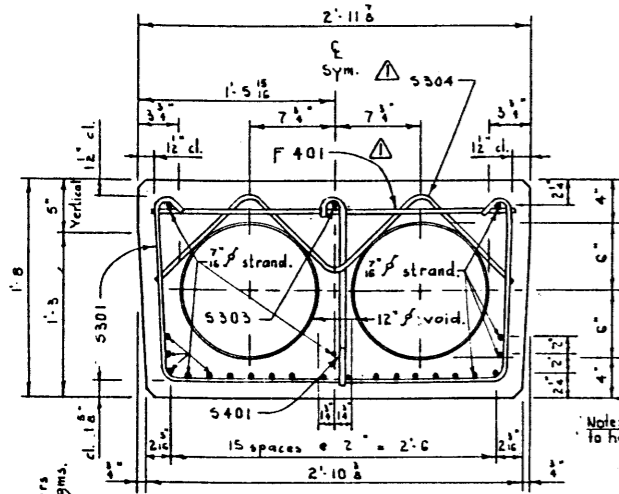
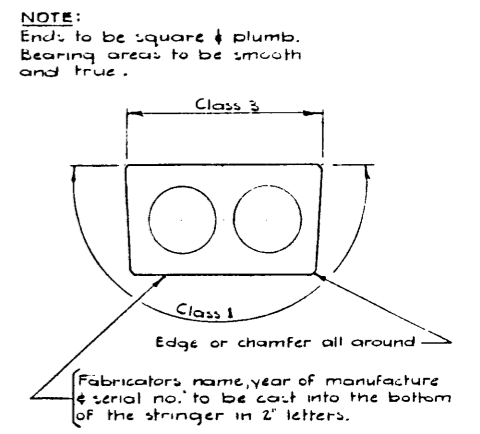
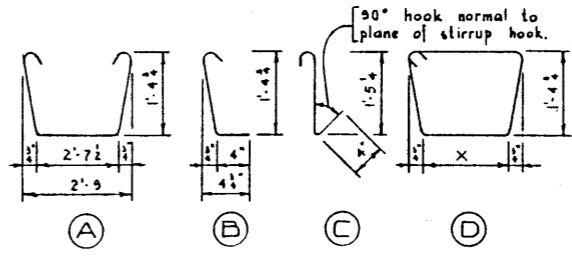


**BAR LIST**

Mark.	Size.	No.	Type	X	Length	Weight
S 301	3	19	A		6'-1	43
S 302	3	36	B		2'-1	28
S 303	3	1	Str.		39'-8	15
S 401	4	37	C		2'-3	56
S 402	4	2	D	2'-7 1/2	9'-0	12
S 501	5	2	D			
F 401	4	73	Str.		2'-9	134
S 304	3	18	E		3'-10	26

\* Skewed stringer only. Total lbs. 314

**BAR TYPES N.T.S.**  
 (All bar dimensions are out to out.)



**REVISIONS**

NO.	DATE	DESCRIPTION	BY
1	Nov 27 63	Notes, S304, F401 & Finishes	B.S.

**PRESTRESSED CONCRETE ROUND VOID TYPE 'K' 40'-0 STRINGER**

GOVERNMENT OF THE PROVINCE OF ALBERTA  
 DEPARTMENT OF HIGHWAYS  
 BRIDGE BRANCH, EDMONTON

FILE NO. \_\_\_\_\_ HWY. NO. \_\_\_\_\_ DWG. NO. **5-804**  
 LOCATION \_\_\_\_\_ SCALE **Noted**  
 STREAM \_\_\_\_\_ SHEET \_\_\_\_\_ OF \_\_\_\_\_