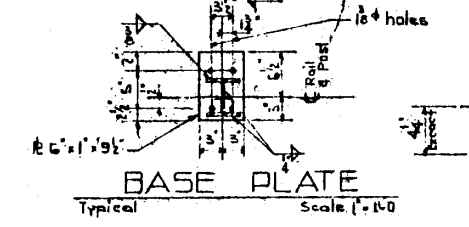
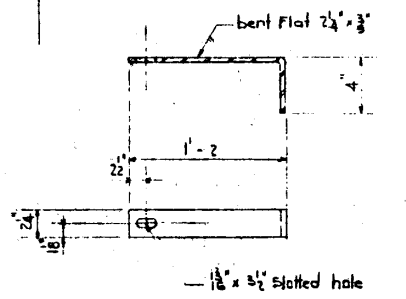


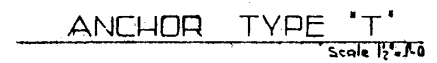
"PART ELEVATION"
Scale 1"=1'-0"



BASE PLATE
Typical
Scale 1"=1'-0"



ANCHOR TYPE "S"
Scale 1 1/2"=1'-0"



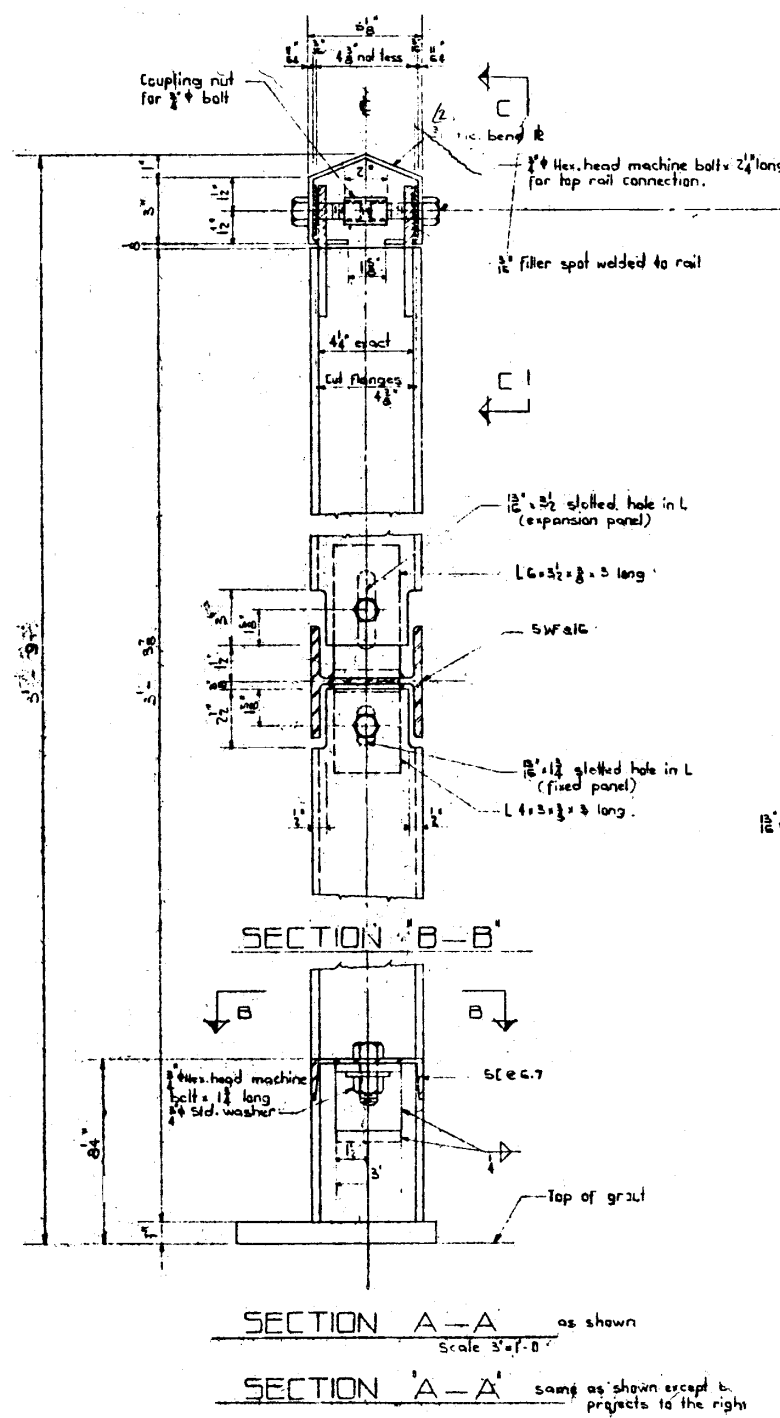
ANCHOR TYPE "T"
Scale 1 1/2"=1'-0"

Note: Slotted holes in anchors must be finished smooth and true.

GENERAL NOTES:

- All handrail and posts to be given one shop coat red lead iron oxide or alkyl type paint conforming to the requirements of the Canadian Government Specification Board Specification 1-GP-140 A.
- All shop splices are to be shown on the shop drawings.
- Fabrication is to be in accordance with the A. A. S. H. O. Specifications for Highway Bridges, 1961 edition.
- The Fabricator shall submit shop drawings and they shall be approved by the Department before fabrication is started. The checking of shop drawings is to be considered as assisting the Fabricator and shall not relieve him of responsibility for error or omissions.

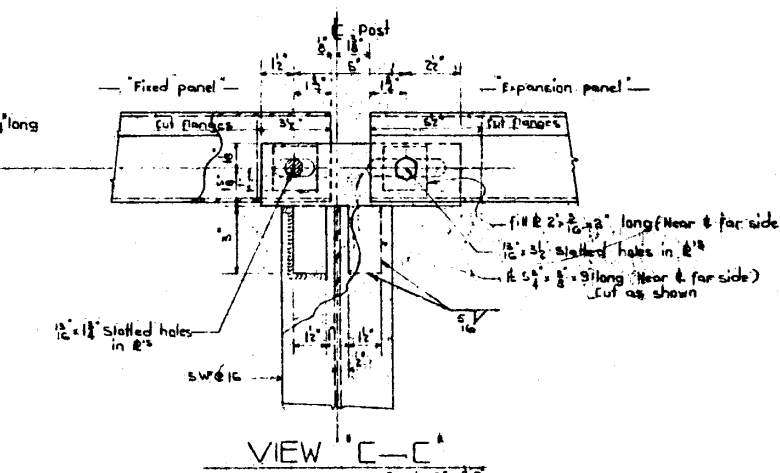
SUPERSEDED
Superseded by S-865



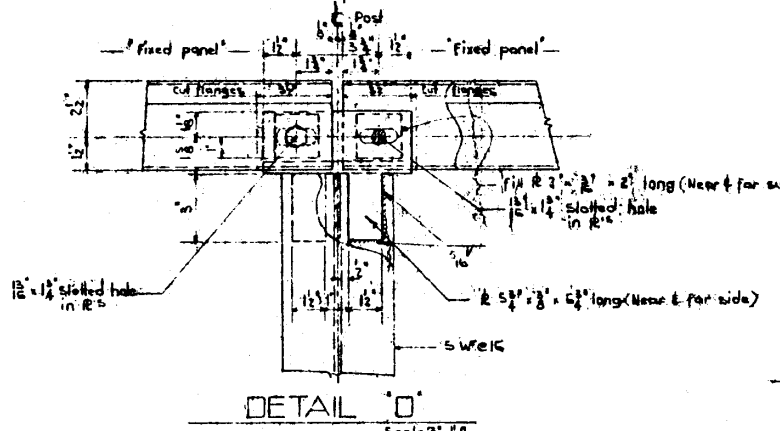
SECTION "B-B"
Scale 3"=1'-0"

SECTION "A-A" as shown
Scale 3"=1'-0"

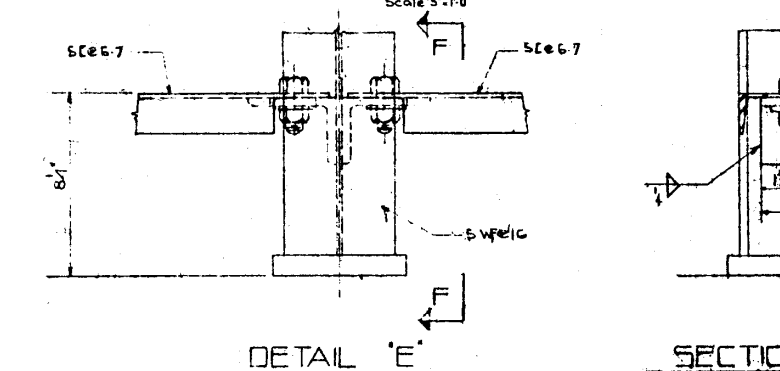
SECTION "A-A" same as shown except it projects to the right
Scale 3"=1'-0"



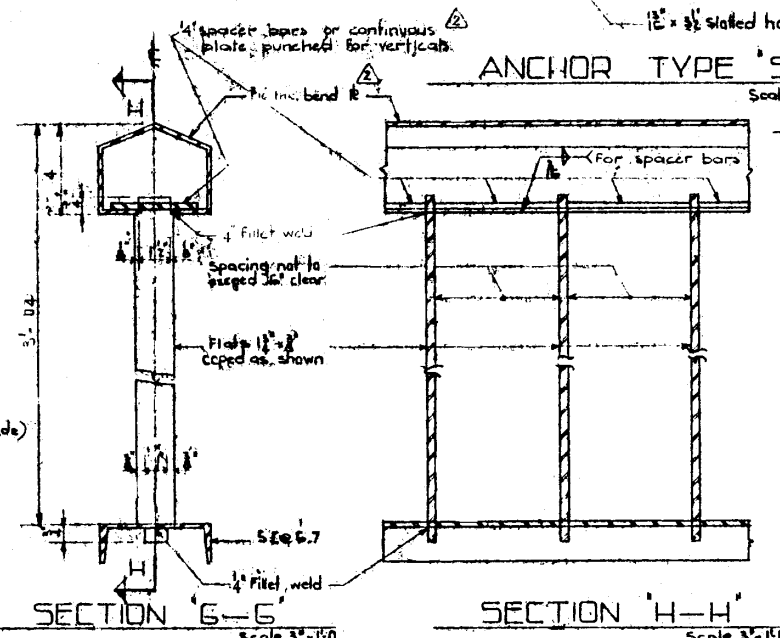
VIEW "C-C"
Scale 3"=1'-0"



DETAIL "D"
Scale 3"=1'-0"

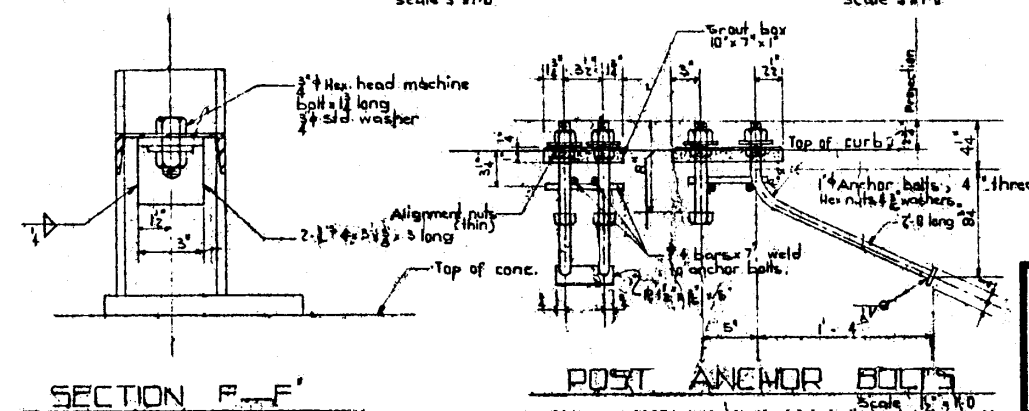


DETAIL "E"
Scale 3"=1'-0"



SECTION "G-G"
Scale 3"=1'-0"

SECTION "H-H"
Scale 3"=1'-0"



POST ANCHOR BOLTS
Scale 1"=1'-0"

NO.	DATE	DESCRIPTION	BY
1	June 4/63	Redrawn from S-742	R.E.
2			
3			
4			
5			

**3'-9" SIDEWALK
VERTICAL BAR TYPE
HANDRAIL DETAIL**

GOVERNMENT OF THE PROVINCE OF ALBERTA
DEPARTMENT OF HIGHWAYS
BRIDGE BRANCH, EDMONTON

FILE NO. _____ HWY. NO. _____ DWG. NO. **S-831**

LOCATION _____ SCALE _____ SHEET _____ OF _____

DESIGNED BY: S. K. ...
 CHECKED BY: ...
 DRAWN BY: ...