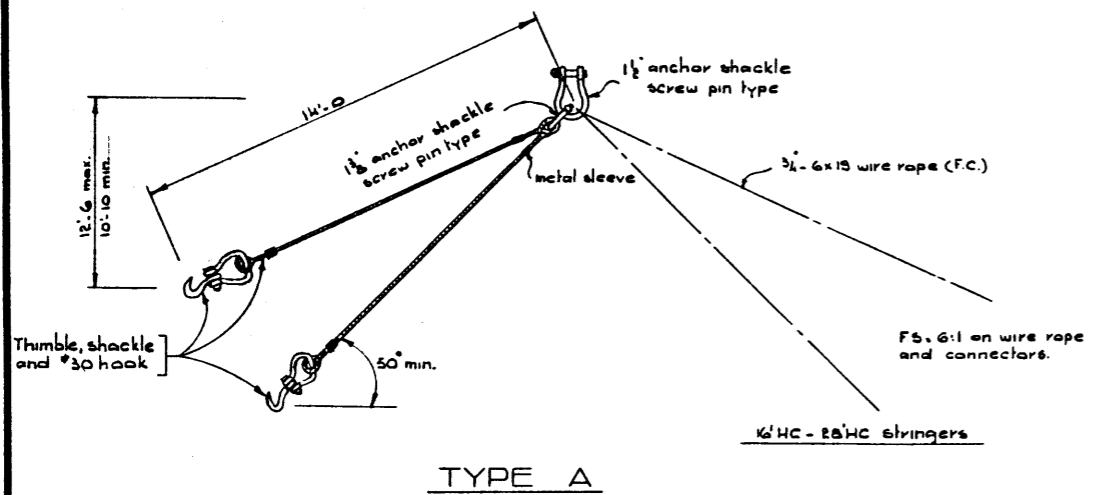
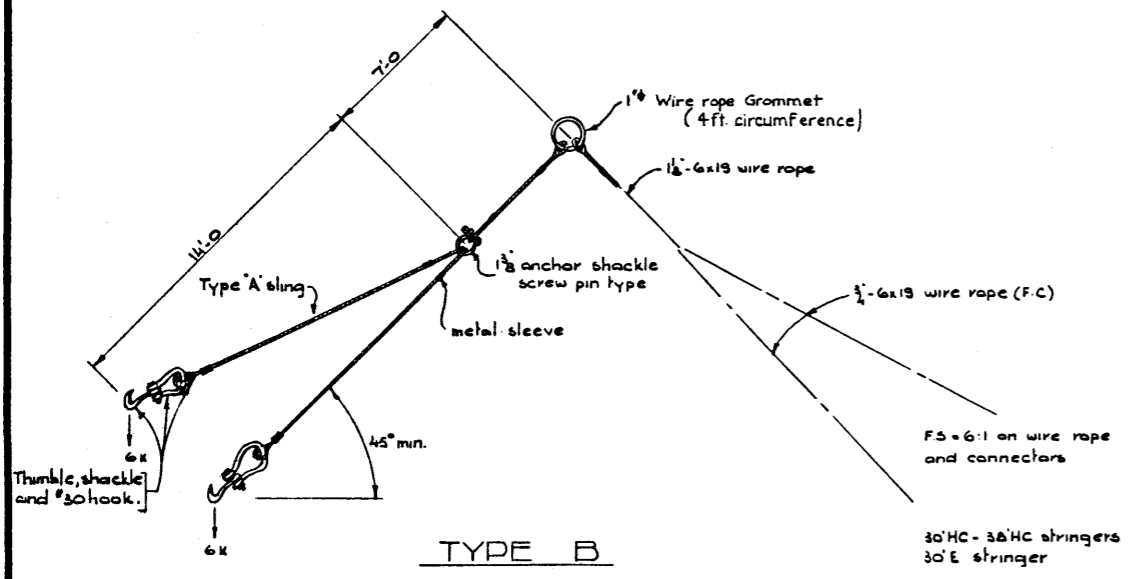


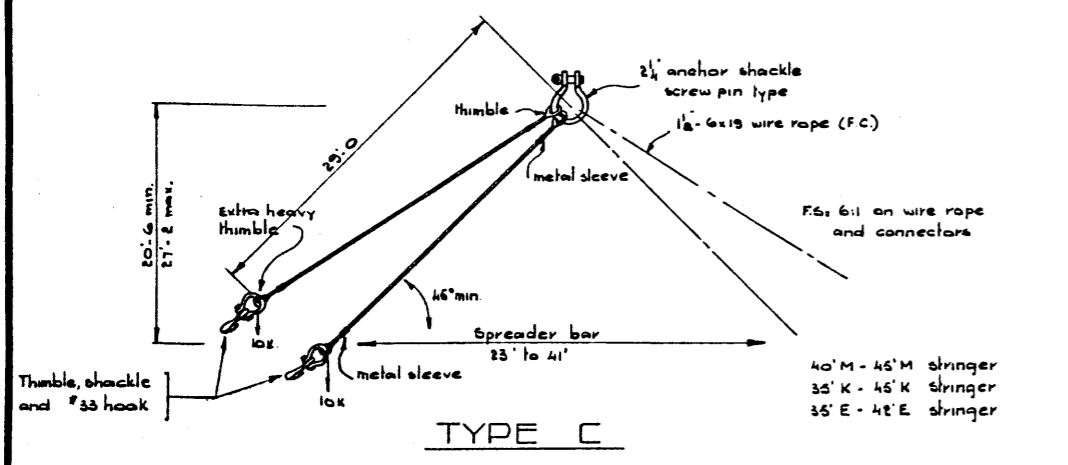
DESIGNED BY R.E. Bally DATE DEC 1953
 CHECKED BY R.E. Bally DATE DEC 1953
 CHECKED BY _____ DATE _____



TYPE A

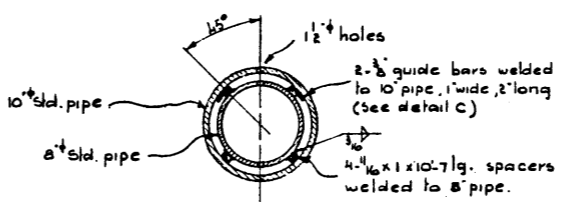
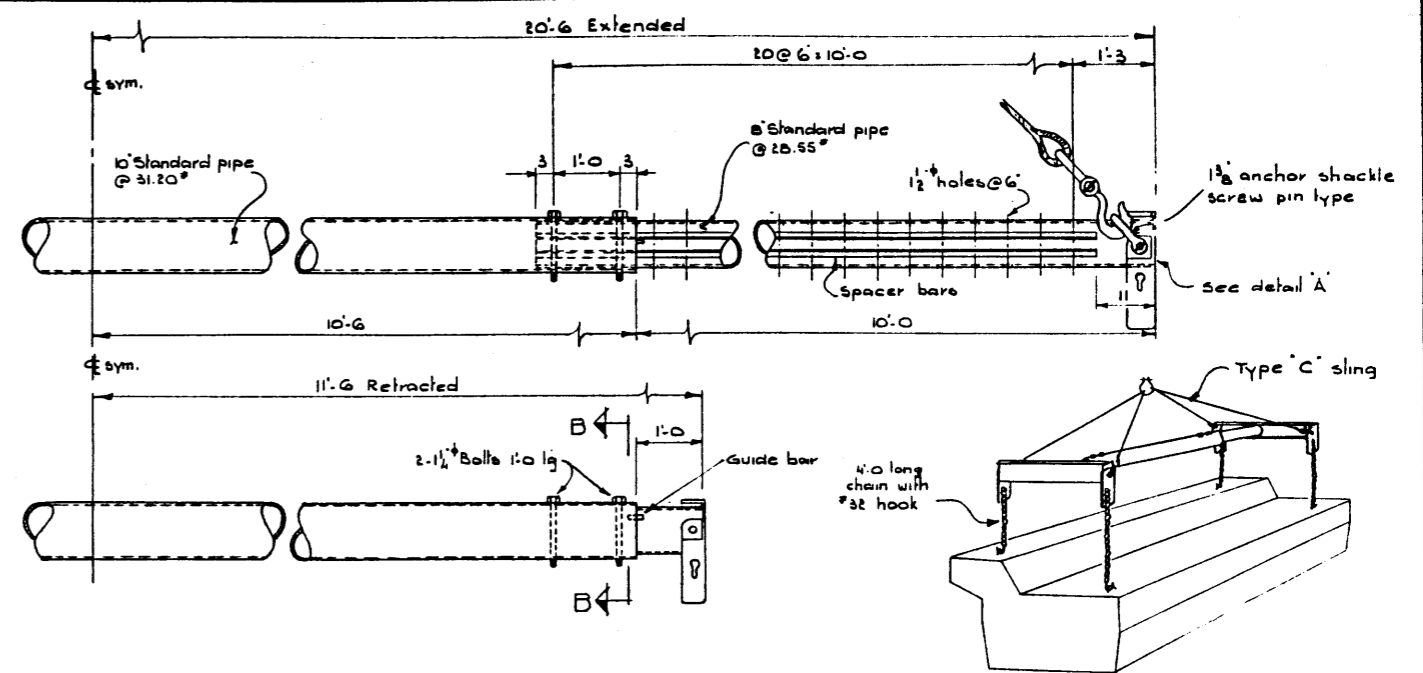


TYPE B

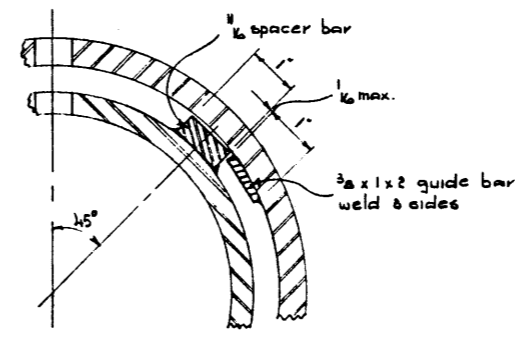


TYPE C

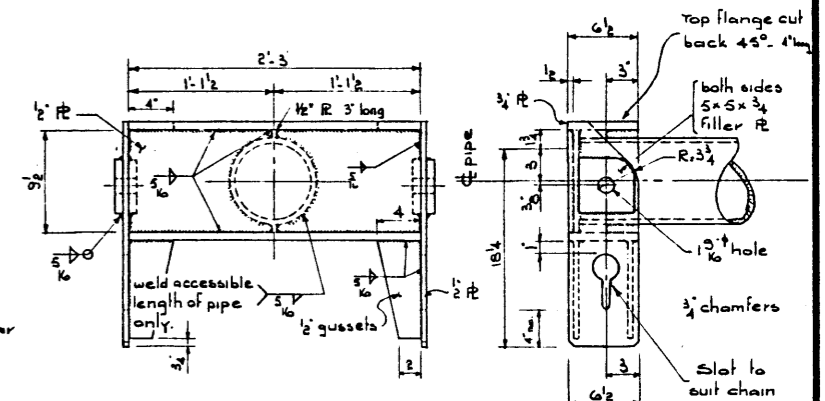
Note: 50' M - 45' M stringers to be lifted with 2 cranes & a vertical lift.



Note: Assemble unit before drilling 1 1/2 inch holes to insure correct alignment.



DETAIL C



DETAIL A

- GENERAL NOTES-**
- All eyes to be spliced and complete with thimbles and metal protective sleeves.
 - All splices to be 100% efficient.

LIFTING SPREADER & SLING DETAILS

GOVERNMENT OF THE PROVINCE OF ALBERTA
 DEPARTMENT OF HIGHWAYS
 BRIDGE BRANCH, EDMONTON

NO.	DATE	DESCRIPTION	BY
REVISIONS			

FILE NO. _____ HWY. NO. _____
 LOCATION _____ SCALE Not to scale
 SHEET 1 OF 1 DWG. NO. 5-845