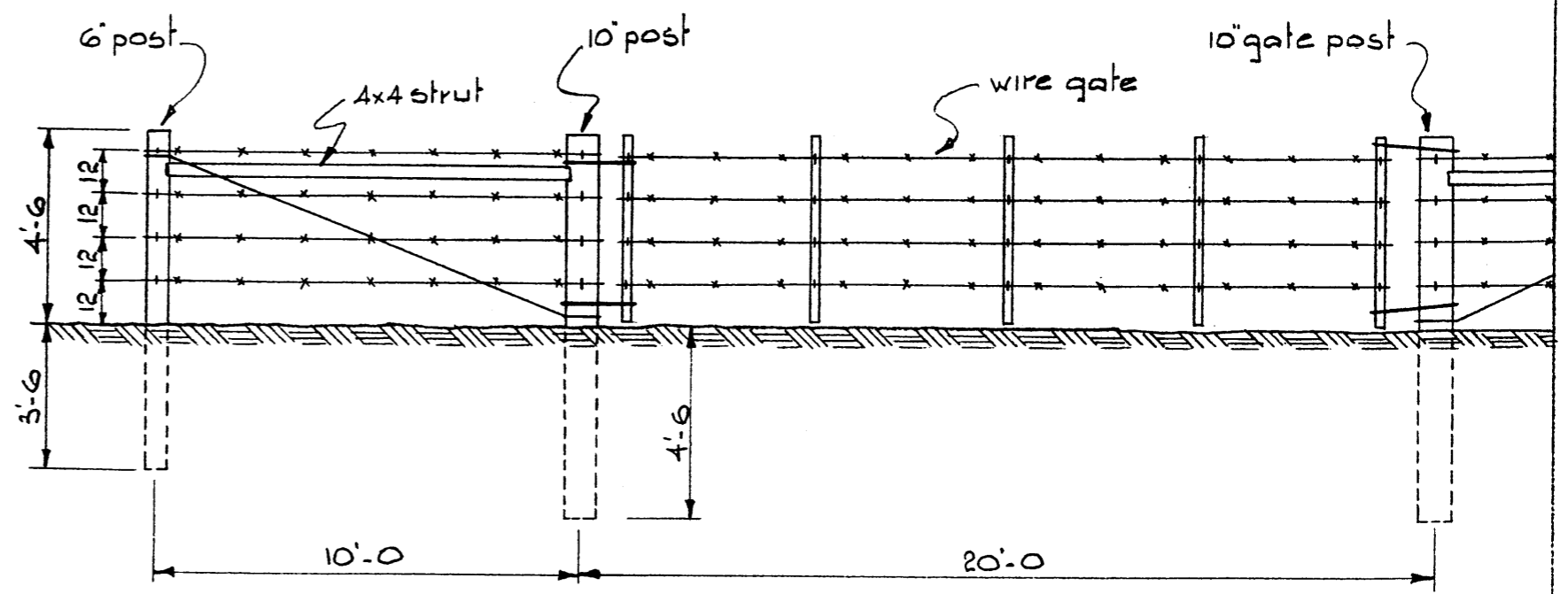


STANDARD FENCING AT CATTLEPASSES  
Not to scale.



FRONT ELEVATION  
Scale: 1/4" = 1'-0"

- Note
- 4x4 horizontal strut between top two wires, connecting all posts.
  - Diagonal brace wire at all corners and end posts as shown.
  - Four wire fence.
  - Wire to be 2-12 ga. strands, galvanized with 4 point barbs.
  - All posts Pentox pressure treated.

STANDARD FENCING  
AT CATTLEPASSES  
R.E. April '64 5858

AT & U - RECORDS CENTRE  
FIGURE