

GENERAL NOTES-

DESIGN

A.A.C.H.O. - 1961 Specification.

MATERIALS

Concrete shall be of standard weight aggregate with maximum size of 3". Minimum compressive strength shall be 5000 p.s.i. at 28 days. Entrained air shall fall between the limits of 4.5% ± 1%.

FABRICATION

All acute corners on skewed bridges to have 3" chamfer. Reinforcement - Diameters of all bars shall conform to the recommended diameters, and all hooks, unless otherwise noted shall conform to the recommended sizes detailed in the 1961 Annual of Standard Practice for Detailing - Reinforced Concrete Structures. Prestressing steel - Initial jack forces shall be 18-9" cable. Concrete must attain (4000) p.s.i. compressive strength before the prestressing force is transferred.

Units are to conform to the requirements of the Alberta Government Specification for the Manufacture of Prestressed Concrete Bridge Units.

ERECTION

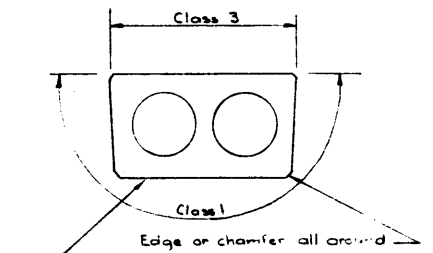
- Lifting force at each hook to be vertical.
- Stringer surface to be 1" flat at all times.

LOADING

Live Load - H20-44 One wheel line per stringer
Dead Load - includes 2" wearing surface.

NOTE

Ends to be square & plumb
Bearing areas to be smooth and true.



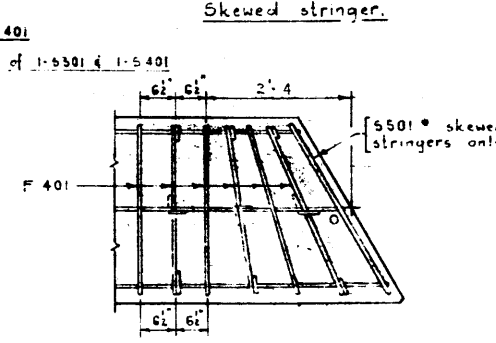
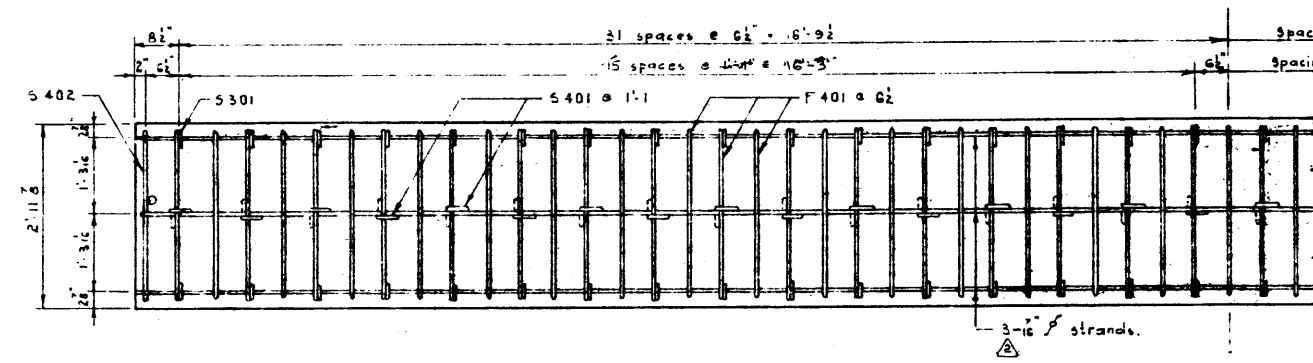
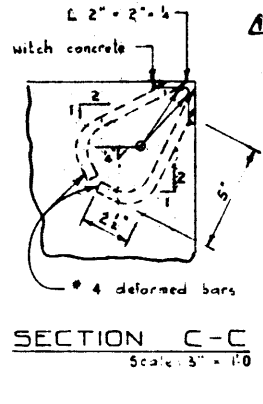
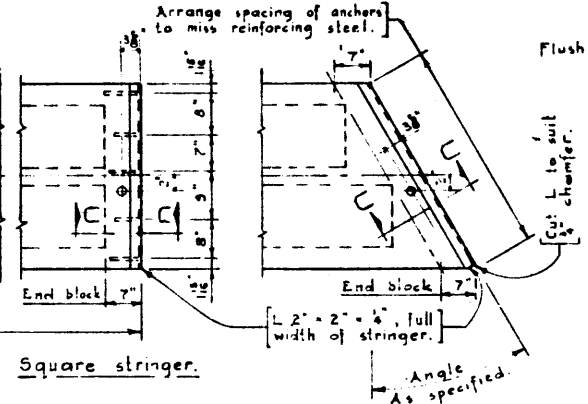
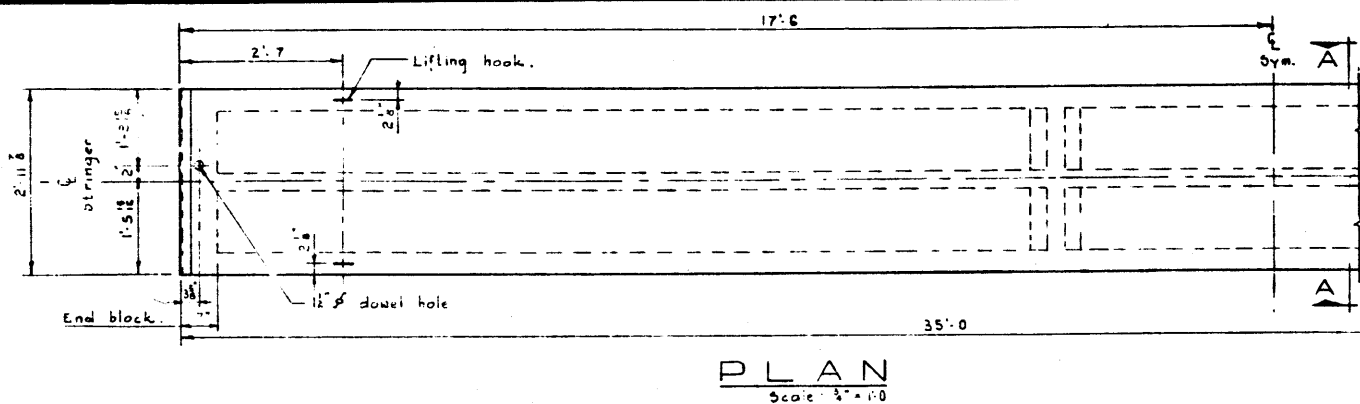
STRINGER FINISHES

PRESTRESSED CONCRETE ROUND VOID TYPE 'J' 35'-0 STRINGER

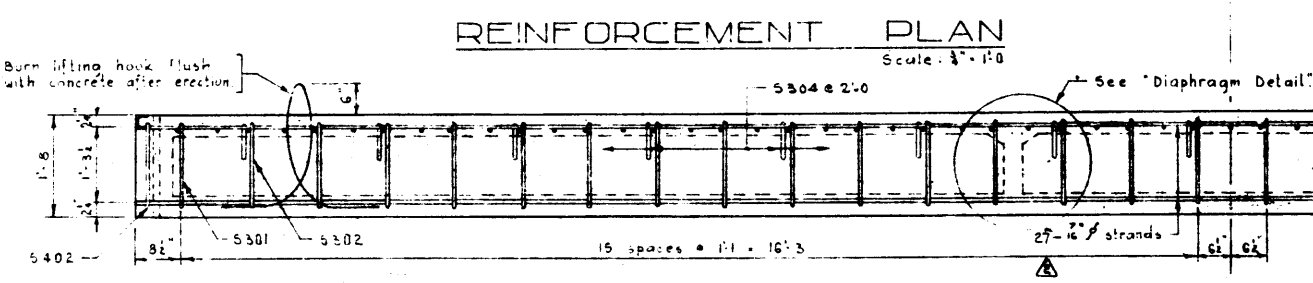
GOVERNMENT OF THE PROVINCE OF ALBERTA
DEPARTMENT OF HIGHWAYS
BRIDGE BRANCH, EDMONTON

FILE NO. _____ REV. NO. _____ DRAWN BY _____ CHECKED BY _____ DATE _____

NOTED 5-861



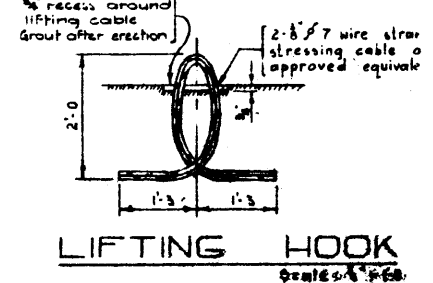
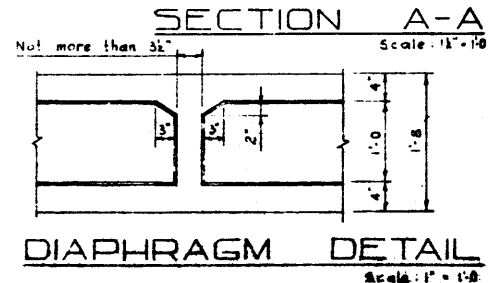
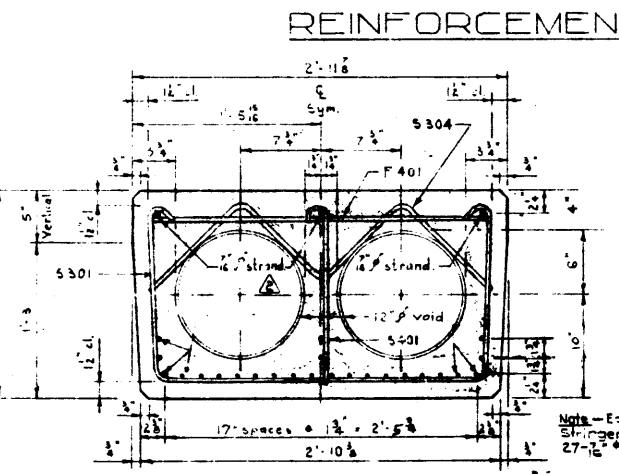
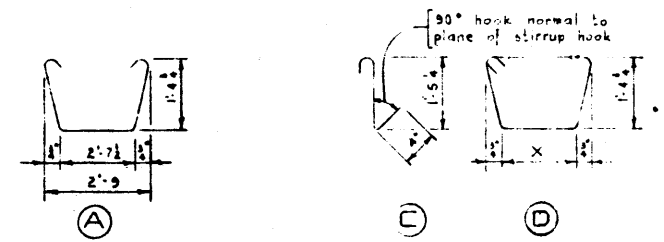
NOTE
All other details to conform to those shown for square stringers. On skewed stringers, the lifting holes are to be placed 14" from the mid-point of the unit.



BAR LIST

| Mark | Size | No. | Type | X | Length | Weight |
|------------------------|------|-----|------|-------|--------|----------------|
| S 301 | 3 | 32 | A | | 6'-1 | 74 |
| S 401 | 4 | 32 | C | | 2'-3 | 48 |
| S 402 | 4 | 2 | D | 2'-7" | 9'-0 | 12 |
| S 501 | 5 | 2 | D | | | |
| F 401 | 4 | 63 | Str. | | 2'-9 | 116 |
| S 304 | 3 | 16 | B | | 3'-10 | 23 |
| * Skewed stringer only | | | | | | Total lbs. 278 |

BAR TYPES N.T.S.
(All bar dimensions are out to out.)



DESIGNED BY: A. J. ...
DATE: 11/15/54
CHECKED BY: ...
DATE: 11/15/54

NOTE: Skewed stringers to have skewed diaphragms.

Note - Each stringer to have 27-16 strands

2-8/7 wire strand stressing cable or approved equivalent